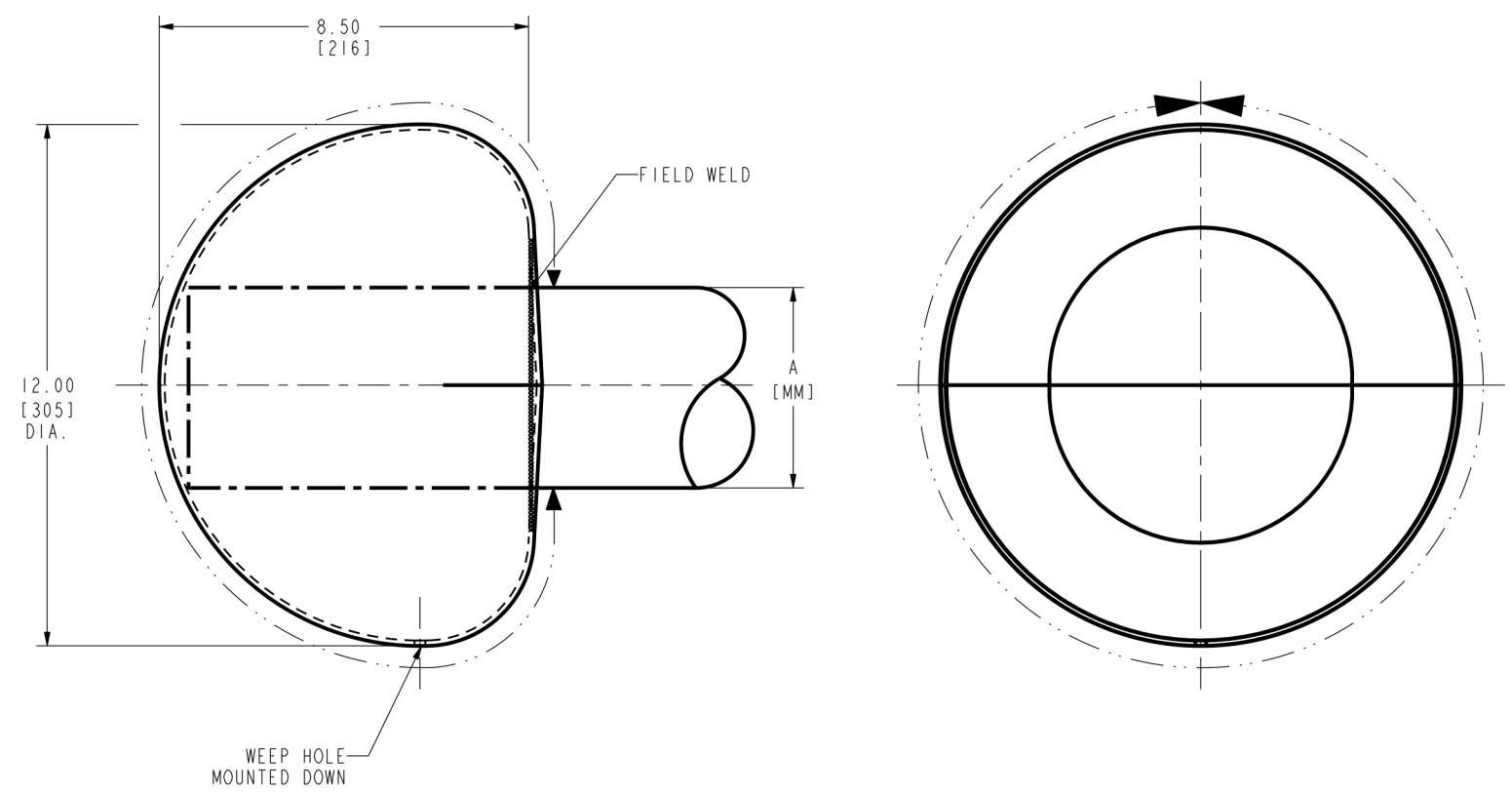


DRAWING NO.  
SD062753-01

CAT. NO.	ITEM NO.	A
SCB18A	10033379	2" IPS 2.375 [60]
SCB19A	25003972	2.5" IPS 2.875 [73]
SCB20A	25014646	3" IPS 3.500 [89]
SCB21A	10002511	3.5" IPS 4.000 [102]
SCB22A	25006353	4" IPS 4.500 [114]
SCB24A	33909J	5" IPS 5.563 [141]
SCB83A	10025158	8"OD 8.000 [203]
SCB86A	33912B	6" IPS 6.625 [168]
SCB88A	10015196	8"IPS 8.625 [219]

REV	DATE	DESCRIPTION	ECO	BY	C'H'K.
B	12/15/2016 00:00:00 AM	REDRAW & UPDATE SALE'S DRAWING SD062753	45576	MK	RL



DESIGNED FOR 550K.V.  
MATERIAL: ALUMINUM ALLOY

- NOTES:
- CONDUCTORS SMALLER THAN 3" ARE NOT RECOMMENDED FOR 550KV APPLICATIONS.
  - DESIGNED FOR CORONA FREE OPERATION TO 550KV.
  - DIMENSIONS IN BRACKETS[MM] DENOTES METRIC UNITS (SI UNITS) ARE ROUNDED TO THE NEAREST WHOLE NUMBER. UNLESS OTHERWISE SPECIFIED THESE UNITS SHALL BE USED FOR REFERENCE ONLY.

TO ORDER BURNDY® PRODUCTS CALL  
 UNITED STATES  
 1-800-346-4175 (LONDONDERRY, NH)  
 CANADA:  
 1-800-361-6975 (QUEBEC)  
 1-800-387-6487 (ALL OTHER PROVINCES)  
 FOR PRODUCT INFO: <http://www.burndy.com>

SPUN CORONA BELL	
ITEM NO:	SEE TABLE
CAT. NO:	SCB_A (TABLE)
DRAWN BY:	J SUDHAKAR 08/02/05
CHECKER:	R LAVOIE 12/17/16
DSN APPVL:	R LAVOIE 12/17/16
MFG APPVL:	T WAWRZYNIAK 12/16/16
QA APPVL:	J HILLMAN --
MKT APPVL:	B CRUTCHER 12/15/16
PROD FAM:	SUBSTATION
PROJECT #:	--
DOCUMENT TYPE:	Sales
REL LEVEL:	Released
SCALE:	1:2
DRAWING NO:	SD062753-01
REV:	B
SHEET 1 OF 1	



REV: PE0200