

CATALOG NUMBER	STRANDED COPPER CONDUCTOR ACCOMMODATED			BOLT SIZE	METRIC BOLT SIZE	DIMENSIONS								
	CODE (AWG)	NAVY	METRIC SIZE (CLASS 2)			B	C	K DIA.	L	N	O.D.	T REF.	Z MIN.	
YA34L37	500 Kcmil ↑ ↓ 500 Kcmil	----	240mm <sup>2</sup> STR [23.1]	3/8	----	1.27 [32]	1.55 [39]	.40 [10]	2.87 [73]	.41 [10]	1.06 [27]	.23 [6]	.42 [11]	
YA34L6				1/2	M12	↑	↑	.53 [13]	3.12 [79]	.53 [13]		↑	↑	.55 [14]
YA34L				5/8	M16			.69 [18]	3.37 [86]	.66 [17]				.67 [17]
YA34L8				3/4	----	↓	↓	.81 [21]	3.55 [90]	.75 [19]		↓	↓	.77 [20]
YA34L9				7/8	----			.94 [24]	3.80 [97]	.88 [22]				.89 [23]
YA34L20				1	----	1.07 [27]	4.05 [103]	1.00 [25]	1.06 [27]	.23 [6]		1.02 [26]		

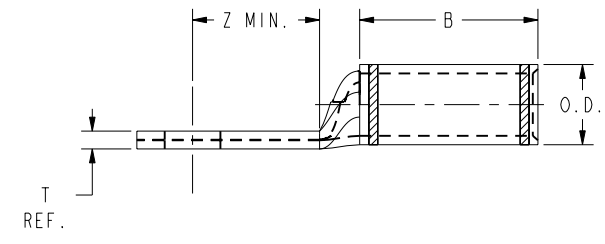
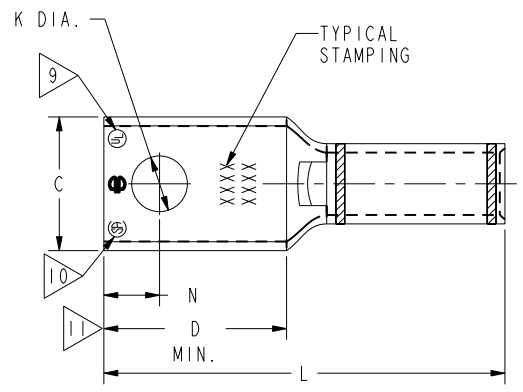
CONNECTOR SIZE	TOLERANCES					
	B	C	K DIA.	L	N	O.D.
-8C THRU -25	±.06	±.04	±.02	±.09	±.03	±.01
-26 THRU -34	±.08	±.04	±.02	±.12	±.03	±.01
-35 AND UP	±.09	±.06	±.02	±.15	±.06	±.01

TOLERANCE BLOCK

INSTALLATION TOOLING (# CRIMPS)

CATALOG NO.	COLOR CODE	DIE INFORMATION		MECHANICAL RATCHET				HYDRAULIC						DIELESS (# CRIMPS)	WIRE STRIP LENGTH	
		DIE INDEX	TYPE	YIMRTC	OUR840	MD6 MD7	MD6--R2 MD7-34R	Y500CT PATMD6 PAT600	Y34A Y34B Y34BH	Y35, Y39 Y750, BAT35 PAT750	Y46 PAT46	Y45	Y48B			Y60BHU
YA34L37 YA34L6 YA34L YA34L8 YA34L9 YA34L20	BROWN	20 299	BROWN DIE SET	----	----	W34VT(2)	W34RT(2) W34VT(2)	W34VT(2) W34RT(2)	----	U34RT(2) U31ART(1)	U34RT(2) P34RT(2) U31ART(1)	U34RT(2) U31ART(1)	C34R(1) C31AR(1)	L34RT(1)	HYDRAULIC: Y644 (1) Y81KFT (2) Y4PC834 (2)	1-7/16"
	NEST		----	----	----	----	B34D(1) A34D(1)	U34D-1(1)	U34D-1(1)	U34D-1(1)	C34DI(1)	----				
	INDENTOR		----	----	----	----	Y34PR	Y34PR	Y34PR	Y34PR	Y48PR	----				

- NOTES:**
- MATERIAL: COPPER TUBING.
  - FINISH: TIN PLATED.  
"FOR ALTERNATIVE FINISH ADD ONE OF THE FOLLOWING SUFFIXES:  
NICKEL = NK, LEAD = LD, BARE = BR"
  - CATALOG # PT6515 ADAPTOR IS REQUIRED TO USE "U" DIES IN Y45 SERIES TOOLS.
  - CATALOG # PUADP-1 ADAPTOR IS REQUIRED TO USE "U" DIES IN Y46 SERIES TOOLS.
  - Y35P3 INDENTOR ADAPTOR REQUIRED FOR Y34PR INDENTOR.
  - PERMANENT DIE IN TOOLING.
  - DIMENSIONS IN BRACKETS [ ] ARE IN MILLIMETERS ROUNDED OFF TO THE NEAREST MILLIMETER, UNLESS OTHERWISE NOTED, AND ARE FOR REFERENCE ONLY.
  - FOR USE BY CUSTOMERS THAT HAVE THIS HYPRESS™. NO NEW Y34A HYPRESS™ TOOLS ARE BEING PROCESSED. Y34A USES A--D NEST DIES ONLY.
  - CONNECTORS ARE UL LISTED; UNDRILLED VERSIONS ARE NOT UL LISTED.
  - CONNECTORS ARE CSA CERTIFIED. UNDRILLED VERSIONS ARE NOT CSA CERTIFIED.
  - FOR UNDRILLED VERSIONS ADD SUFFIX "-U" TO END OF CATALOG NUMBER. FOR UNDRILLED VERSIONS, USE D MIN. = N MAX. + Z MIN.
  - "X", "W-RT", "W-VT", "U" & "L" DIE SETS ARE COLOR CODED. "A", "B" AND "C" DIES ARE NOT COLOR CODED. NESTS AND INDENTOR TYPE ARE NOT COLOR CODED.



REFERENCE: SE209240

TO ORDER BURNDY® PRODUCTS CALL		HYLUG™ COPPER	
UNITED STATES 1-800-346-4175 (LONDONDERRY, NH)		ITEM NO: N/A	CAT. NO: YA-L, YA-L-TC-, YAV-TC-
CANADA: 1-800-387-6487 (ALL OTHER PROVINCES)		DRAWN BY: J MICHAUD 8/10/94	CHECKER: D FILLION 10/3/94
FOR PRODUCT INFO: <a href="http://www.burndy.com">http://www.burndy.com</a>		DSN APPVL: C PALAGI 8/19/94	MFG APPVL: N/A N/A
		QA APPVL: C ACKERMAN 9/30/94	MKT APPVL: T NELSON 9/30/94
		PROD FAM: CM&R COMPRESSION	DRAWING NO: SD079848
		PROJECT #: --	SIZE: D
		DOCUMENT TYPE: Sales	SHEET 13 OF 17
		REL LEVEL: Released	REV: E

REV: PE0200