

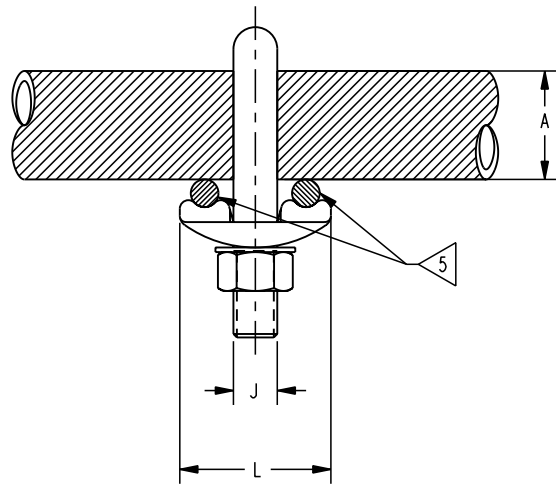
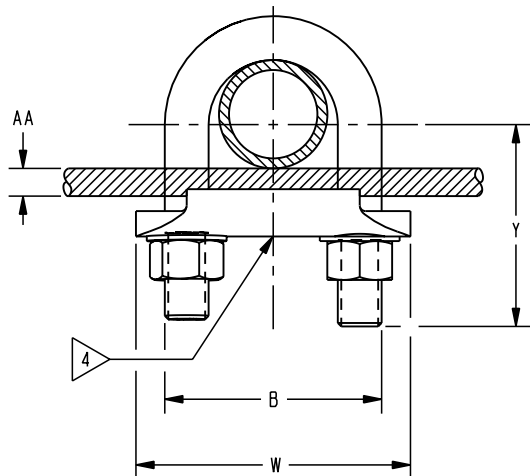


DRAWING NO.
SD201549-01


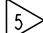
CATALOG NUMBER	A		AA				B	J	L	W	"U" BOLT	TORQUE	
	TUBING ACCOMMODATED		COPPER CONDUCTOR ACCOMMODATED (ONE OR TWO CONDUCTORS)									Lb*in	N*m
	ROUND	SQUARE	AWG		METRIC WIRE SIZE								
			MIN	MAX	MIN	MAX							
GP654CGI	3/4-1" [19-22]	3/4 - 7/8 [19-22]	8 SOL (.129)	4 STR (.232)	10mm ² SOL [3.6]	16mm ² STR [5.13]	1.50 [38]	3/8 [10]	1.31 [33]	2.38 [60]	UB222	240	27
GP64526GI	3/4-1" [19-22]	3/4 - 7/8 [19-22]	4 SOL (.204)	2/0 STR (.416)	25mm ² SOL [6.5]	70mm ² STR [10.9]	1.50 [38]	3/8 [10]	1.69 [43]	2.38 [60]	UB222	240	27
GP1526GI	1 1/4 [32]	--	8 SOL (.129)	2/0 STR (.416)	10mm ² SOL [3.6]	70mm ² STR [10.9]	1.75 [44]	3/8 [10]	1.69 [43]	2.62 [67]	UB244	240	27
GP1726GI	2" [51]	--	6 SOL (.162)	2/0 STR (.416)	10mm ² SOL [3.6]	70mm ² STR [10.9]	2.12 [54]	3/8 [10]	1.50 [38]	3.22 [82]	UB268	240	27

REV	DATE	DESCRIPTION	ECO	BY	C'H'K.
B	6/29/2009 11:58:00 AM	ADD CAT. NO. GP1726GI TOTAL PER MFG.	18432	RLB	PW

3/4-1 8-4
 
 GP654CGI
 LETTERING VIEW



NOTES

- MATERIAL : CAST COPPER ALLOY, SILICONE BRONZE
U-BOLT, HEX. NUT & SPLW.
- DIMENSIONS IN BRACKETS [] ARE IN MILLIMETERS, ROUNDED OFF TO THE NEAREST MILLIMETER, UNLESS OTHERWISE NOTED. AND ARE FOR REFERENCE ONLY.
- UL 467 LISTED, FILE NO. E9999
-  LETTERING TO APPEAR ON THIS SIDE OF CONNECTOR.
-  ACCOMMODATES 1 OR 2 CONDUCTORS.

REFERENCE: SC204328

TO ORDER BURNDY® PRODUCTS CALL		GROUND CLAMP	
UNITED STATES: 1-800-346-4175 (LONDONDERRY, NH)		ITEM NO: NA	
CANADA: 1-800-361-6975 (QUEBEC) 1-800-387-6487 (ALL OTHER PROVINCES)		CAT. NO: GP-GI (SEE TABLE)	
FOR PRODUCT INFO: http://www.burndy.com		DRAWN BY: DAN D 03/17/89	
		CHECKER: KLH --	
		DSN APPVL: G DITROIA 11/11/93	
		MFG APPVL: G.Z / I.P.S 03/22/89	
		QA APPVL: A LLYOD 12/03/93	
		MKT APPVL: K WOO 11/11/93	
		SCALE: 1:1	
		PROD FAM: --	
		PROJECT #: --	
		DRAWING NO	
		SD201549-01	
		REV	
		B	
		SHEET 1 OF 1	

REV: PED200