

DRAWING NO.
SD207546-01

CATALOG NO.	CONDUCTOR	FIG. NO.	7		6		5		4		RECOMMENDED TIGHTENING TORQUE IN. LBS.	HARDWARE	STUD HOLE SIZE	QUANTITY/PACKAGE	STRIP LENGTH
			C	D	REF. H	K	L	N	T						
KPA8CUP	#14 SOL 1.63 (.064) DIA. TO	2A	.38	.56	.81	.20	1.04	.22	.07	4 NM (35 IN. LBS.)	#12-24 SLOT	#10	100	15/32	
KPA8CTP	#6 STR 4.67 (.184) DIA. CU		[9.4]	[14.2]	[21.0]	[5.1]	[26.4]	[5.6]	[1.8]						
KPA4CUP	#14 SOL 1.63 (.064) DIA. TO	2	.50	.71	1.0	.28	1.28	.33	.07	5.1 NM (45 IN. LBS.)	5/16 DIA. SLOT ROBERTSON	1/4	100	9/16	
KPA4CTP	#4 STR 5.89 (.232) DIA. CU		[12.7]	[18.0]	[25.0]	[7.1]	[32.5]	[8.3]	[1.8]						
KPA25UP	#6 STR 4.67 (.184) DIA. TO	1	.62	.81	1.37	.33	1.56	.45	.12	5.6 NM (50 IN. LBS.)	3/8 DIA. SLOT ROBERTSON	5/16	100	3/4	
KPA25TP	#1/0 STR 9.44 (.372) DIA. CU		[15.7]	[20.6]	[35.0]	[8.4]	[39.6]	[11.4]	[3.2]						
KPA28UP	#6 STR 4.67 (.184) DIA. TO	1	1.0	1.10	1.55	.41	2.22	.57	.12	28 NM (250 IN. LBS.)	9/16 DIA. HEX SOCKET	3/8	25	1-1/8	
KPA28TP	#4/0 STR 13.4 (.528) DIA. CU		[25.4]	[27.9]	[39.0]	[10.4]	[56.4]	[14.5]	[3.2]						
KPA34UP	#2/0 STR 10.6 (.419) DIA. TO	3	1.50	1.67	2.64	.53	3.37	.88	.18	42.4 NM (375 IN. LBS.)	5/8 DIA. HEX HEAD	1/2	18	1-11/16	
KPA34TP	#500 Kcmil 20.7 (.813) DIA. CU		[38.1]	[42.4]	[67.0]	[13.5]	[85.6]	[22.4]	[4.6]						

REV	DATE	DESCRIPTION	ECO	BY	C'H'K.
A	06/30/2011 00:00:00 AM	REDRAW IN PROE	24978	MRA	JG

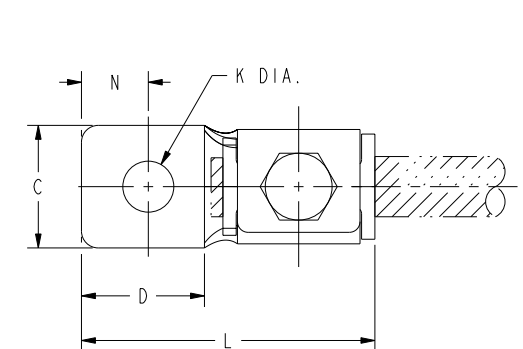
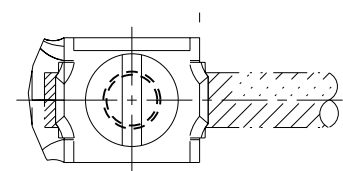
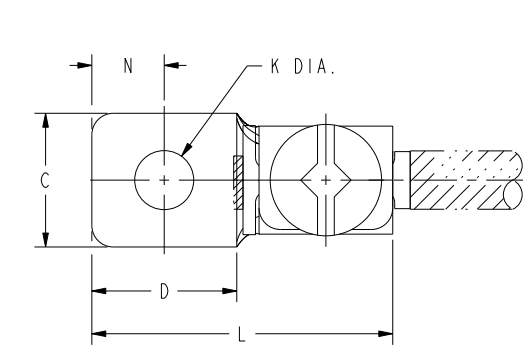
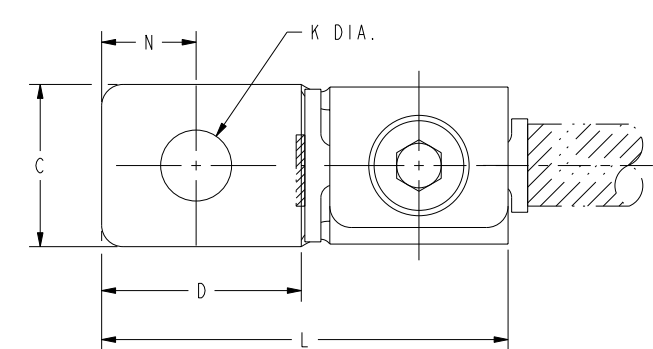
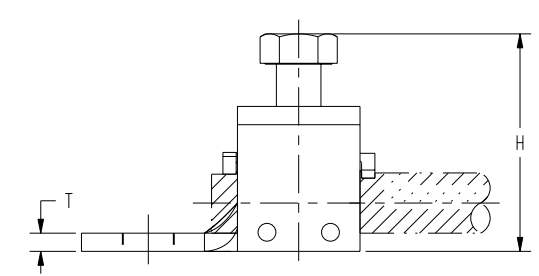
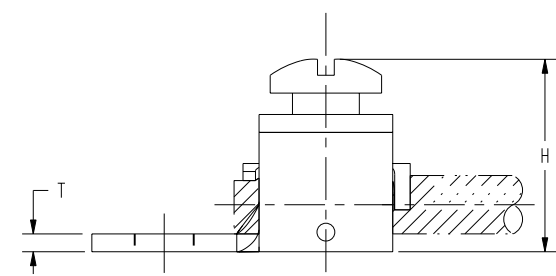
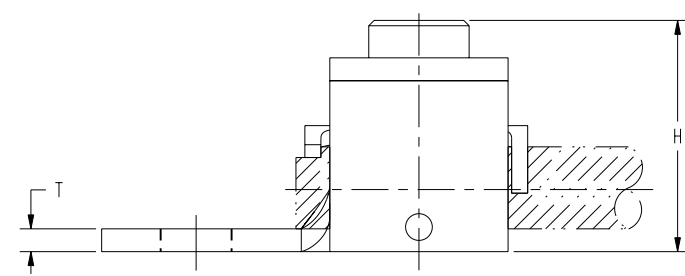


FIG. 1

FIG. 2

FIG. 2A

FIG. 3

NOTES:

- 1 FINGER TIGHT TORQUE WITH MAXIMUM CONDUCTOR.
- 2 SUFFIX "TP" ON CATALOG NUMBER DENOTES TIN PLATE. EXAMPLE: KPA8CTP
SUFFIX "UP" DENOTES UNPLATED.
- 3. MATERIAL: COPPER ALLOY.
- 4 N DIMENSION FOR KPA8C-- CONNECTORS NOT TO EXCEED .240 IN.

TO ORDER BURNDY® PRODUCTS CALL		SCRULUG™	
UNITED STATES 1-800-346-4175 (LONDONDERRY, NH)		ITEM NO: ---	CAT. NO: KPA-- (SEE TABLE)
CANADA: 1-800-361-6975 (QUEBEC) 1-800-387-6487 (ALL OTHER PROVINCES)		DRAWN BY: JSG 01/21/92	CHECKER: GP 03/10/92
FOR PRODUCT INFO: http://www.burndy.com		DSN APPVL: KH 01/23/92	MFG APPVL: --
		QA APPVL: AL 01/27/92	MKT APPVL: LH 01/28/92
		PROJ #:	SCALE: 3:1
		SIZE: D	DRAWING NO: SD207546-01
		DOCUMENT TYPE: Sales	REV: A
		REL LEVEL: Released	SHEET 1 OF 1

REV: PE0200