

DRAWING NO.
SD207854

7

6

5

4

3

2

1

*** BILL OF MATERIAL ***

REV	DATE	DESCRIPTION	ECO	BY	C'H'K.
A	09/22/2011 00:00:00 AM	REDRAW IN PROE	25539	DD	MB

D

D

C

C

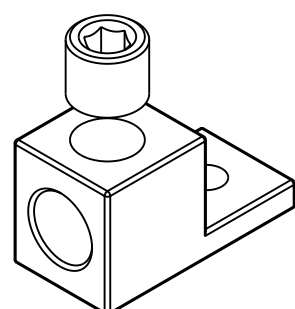
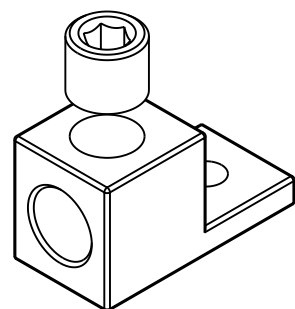
B

B

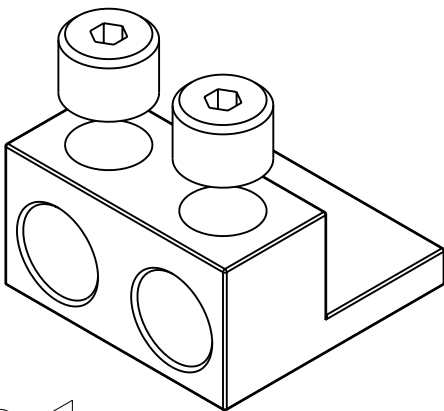
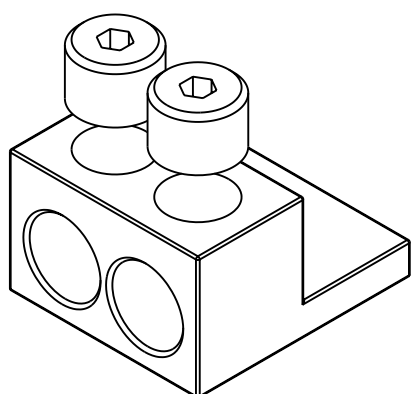
A

A

CATALOG NO.	DESCRIPTION	QUANTITY PER KIT			
		KAU-KIT1	KAU-KIT2	KAU-KIT3	KAU-KIT4
KA2U	UNIVERSAL TERMINAL (14 STR.-2 STR. ALUM. OR CU.)	8	-----	-----	-----
KA29U	UNIVERSAL TERMINAL (6 STR.-250 Kcmil ALUM. OR CU.)	4	12	-----	-----
K2A31U	UNIVERSAL TERMINAL (TWO: 6 STR.-350 Kcmil ALUM. OR CU.)	-----	-----	6	-----
K2A40U	UNIVERSAL TERMINAL (TWO: 300-800 Kcmil ALUM. OR CU.)	-----	-----	7	15
-----	1/4"-20 X 3/4" HEX HEAD FLANGE BOLT	8	8	-----	-----
-----	1/4"-20 HEX. NUT WITH FLAT RIM CONICAL WASHER	8	16	-----	-----
-----	1/4"-20 X 2" HEX. HEAD FLANGE BOLT	-----	8	-----	-----
-----	1/2"-13 X 2" HEX HEAD BOLT	-----	-----	5	7
-----	1/2"-13 X 2 1/2" HEX HEAD BOLT	-----	-----	6	4
-----	1/2"-13 HEX NUT	-----	-----	11	11
50 FLATWASHER	1/2" FLAT WASHER	-----	-----	22	22
50X106 BWSS	1/2" BELLEVILLE WASHER	-----	-----	11	11
-----	HARDWARE "PLASTIC" BAG	1	1	1	1
-----	BOX	-----	-----	1	1
-----	LABEL	-----	-----	1	1
-----	POLY-BAG CLEAR - WHITE RED/WHITE	1	1	-----	-----

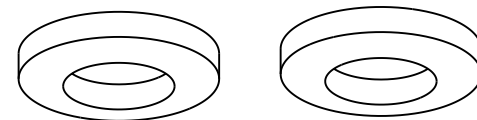


KA-U STYLE

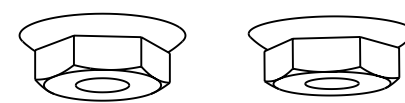


K2A-U STYLE

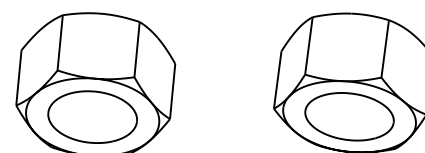
KAU-KIT (BAG, BOX & LABEL NOT SHOWN)



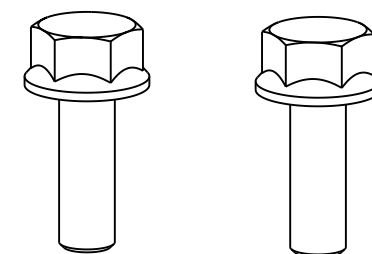
BELLEVILLE WASHER



HEX. NUT WITH FLAT RIM CONICAL WASHER



HEX. NUT



HEX. HEAD FLANGE BOLT



FLAT WASHER

TYPICAL HARDWARE

NOTES:
 KA-U AND K2A-U STYLE CONNECTORS ARE UL LISTED (UL 486B STANDARD) AND CSA CERTIFIED.

TO ORDER BURNDY® PRODUCTS CALL		TRANSFORMER LUG KITS	
UNITED STATES 1-800-346-4175 (LONDONDERRY, NH)		ITEM NO: N/A	CAT. NO: KAUKIT- (TABLE)
CANADA: 1-800-361-6975 (QUEBEC) 1-800-387-6487 (ALL OTHER PROVINCES)		DRAWN BY: D BOISVERT 7/17/01	CHECKER: -- --
FOR PRODUCT INFO: http://www.burndy.com		DSN APPVL: L LEAVITT 7/06/01	MFG APPVL: -- --
		QA APPVL: A LLOYD 6/30/92	MKT APPVL: R ROBICHEAU 7/06/01
		PROJ #: --	SCALE: NTS
		PROJECT #: --	DRAWING NO: SD207854
		DOCUMENT TYPE: Sales	REV: A
		REL LEVEL: Released	SHEET 1 OF 2

REV: PE0200

8

7

6

5

4

3

2

1

DRAWING NO.
SD207854

7

6

5

4

3

2

1

*** BILL OF MATERIAL ***

REV	DATE	DESCRIPTION	ECO	BY	C'H'K.
A	09/22/2011 00:00:00 AM	REDRAW IN PROE	25539	DD	MB

D

D

C

C

B

B

A

A

CATALOG NO.	DESCRIPTION	QUANTITY PER KIT					
		KAU-KIT5	KAU-KIT6	KAU-KIT7	KAU-KIT8	KAU-KIT9	KAU-KIT10
KA29U	UNIVERSAL TERMINAL	-----	7	-----	-----	-----	-----
KA25U	UNIVERSAL TERMINAL	7	3	-----	-----	-----	-----
KA31U	UNIVERSAL TERMINAL	-----	-----	6	-----	-----	-----
KA34U	UNIVERSAL TERMINAL	-----	-----	-----	3	12	-----
KA40U	UNIVERSAL TERMINAL	-----	-----	-----	4	-----	16
K2A26U	UNIVERSAL TERMINAL	-----	-----	-----	4	-----	-----
K2A31U	UNIVERSAL TERMINAL	-----	-----	6	-----	3	-----
K2A36U	UNIVERSAL TERMINAL	-----	-----	-----	-----	-----	3
-----	1/4" FLAT WASHER	14	6	-----	-----	-----	-----
-----	1/4" LOCK WASHER	-----	3	-----	-----	-----	-----
-----	1/4" HEX. NUT	7	3	-----	-----	-----	-----
-----	1/4"-20 X 1" HEX. HEAD BOLT	7	3	-----	-----	-----	-----
-----	5/16" - 18 X 1-1/2" HEX. HEAD BOLT	-----	7	3	-----	-----	-----
-----	5/16" HEX. NUT	-----	7	3	-----	-----	-----
-----	5/16" LOCK WASHER	-----	14	3	-----	-----	-----
-----	5/16" FLAT WASHER	-----	7	6	-----	-----	-----
-----	3/8" - 16 X 1-1/2" HEX. HEAD BOLT	-----	-----	6	3	-----	-----
-----	3/8" - 16 X 2" HEX. HEAD BOLT	-----	-----	-----	-----	9	-----
-----	3/8" HEX. NUT	-----	-----	6	-----	9	-----
-----	3/8" LOCK WASHER	-----	-----	6	3	9	-----
-----	3/8" FLAT WASHER	-----	-----	12	6	18	-----
-----	1/2"-13 X 2" HEX HEAD BOLT	-----	-----	2	4	3	-----
-----	1/2"-13 X 2 1/2" HEX HEAD BOLT	-----	-----	1	-----	-----	13
-----	1/2"-13 HEX NUT	-----	-----	6	1	3	13
-----	1/2" LOCK WASHER	-----	-----	6	4	3	13
50 FLATWASHER	1/2" FLAT WASHER	-----	-----	12	-----	6	26
-----	DRAWING SHEET	1	1	1	1	1	1
-----	BOX (5" X 5" X 5")	1	1	1	1	1	1
-----	LABEL	1	1	1	1	1	1
-----	UNLABELLED POLY-BAG (6" X 9")	1	1	1	1	1	1

NOTES:

- KA-U AND K2A-U STYLE CONNECTORS ARE UL LISTED (UL 486B STANDARD) AND CSA CERTIFIED.
- SEE SHEET 1 FOR VIEWS AND TYPICAL HARDWARE.

TO ORDER BURNDY® PRODUCTS CALL		TRANSFORMER LUG KITS	
UNITED STATES 1-800-346-4175 (LONDONDERRY, NH)		ITEM NO: N/A	
CANADA: 1-800-361-6975 (QUEBEC) 1-800-387-6487 (ALL OTHER PROVINCES)		CAT. NO: KAUKIT- (TABLE)	
FOR PRODUCT INFO: http://www.burndy.com		DRAWN BY: D BOISVERT 7/17/01	
		CHECKER: -- --	
		DSN APPVL: L LEAVITT 7/06/01	
		MFG APPVL: -- --	
		QA APPVL: A LLOYD 6/30/92	
		MKT APPVL: R ROBICHEAU 7/06/01	
		SCALE: NTS	
		DRAWING NO	
		SD207854	
		REV	
		A	
		SHEET 2 OF 2	

REV: PE0200

8

7

6

5

4

3

2

1