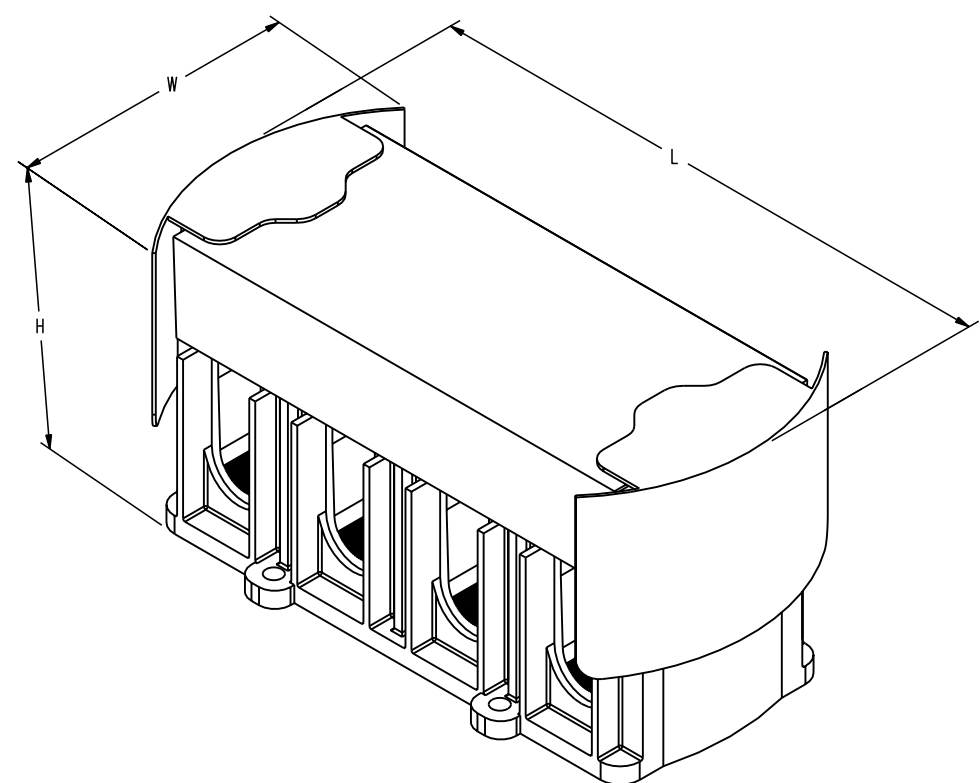


DRAWING NO.  
SD210528-01

CAT NO.	# OF POLES	FIG	RUN (CU OR AL) (Kcmil or AWG)	TAP (CU OR AL) (Kcmil OR AWG)	TORQUE (in-lbs)	L	W	H
FT3B4/0	3	I	3/0-4/0	6-4/0	200	5.88 [149]	3.88 [99]	4.13 [105]
FT4B4/0	4	I	3/0-4/0	6-4/0	200	7.88 [200]	3.88 [99]	4.13 [105]
FT3B500	3	I	400-500	6-500	375	5.88 [149]	3.88 [99]	4.13 [105]
FT4B500	4	I	400-500	6-500	375	7.88 [200]	3.88 [99]	4.13 [105]

REV	DATE	DESCRIPTION	ECO	BY	C'H'K.
A	11/16/2009 12:00:00 AM	REDRAW DRAWINGS IN PROJE INCORPORATING CHANGES ON SUPPLIED MARKUPS	19546	DG	BSK



FT4B500

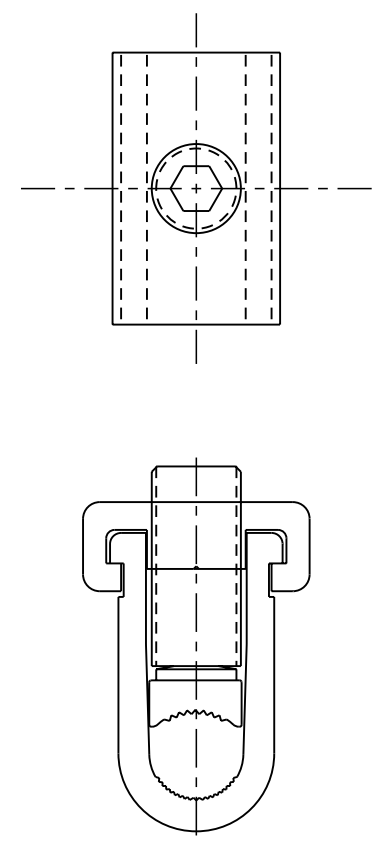
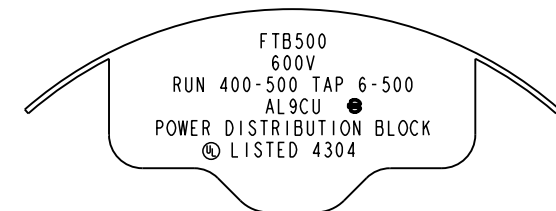
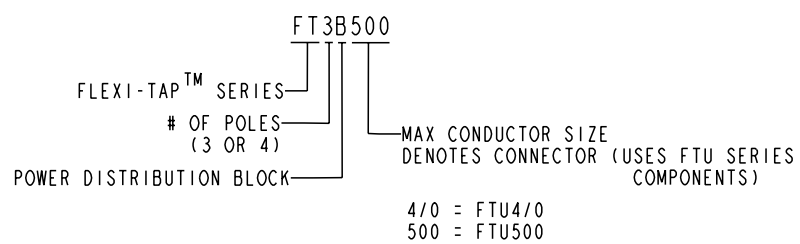


FIG. 1  
2 CONDUCTORS MAX.



TYPICAL MARKING

- NOTES:
- MANUFACTURER'S RECOMMENDED TORQUE.
  - DO NOT MIX COPPER AND ALUMINUM CONDUCTORS.
  - DIMENSIONS IN [ ] BRACKETS ARE IN MILLIMETERS, ROUNDED OFF TO THE NEAREST MILLIMETER, UNLESS OTHERWISE NOTED. METRIC DIMENSIONS ARE FOR REFERENCE ONLY.



TO ORDER BURNDY® PRODUCTS CALL		U-BLOK™ ASSY	
UNITED STATES 1-800-346-4175 (LONDONDERRY, NH)		ITEM NO: N/A	CAT. NO: FT-- (SEE TABLE)
CANADA: 1-800-361-6975 (QUEBEC) 1-800-387-6487 (ALL OTHER PROVINCES)		DRAWN BY: R. PERREAU 04/16/1996	CHECKER: N. PRESSMAN 04/16/1996
FOR PRODUCT INFO: <a href="http://www.burndy.com">http://www.burndy.com</a>		DSN APPVL: A. BRAZEAU 04/16/1996	MFG APPVL: N/A
		QA APPVL: D. VARIO 04/17/1996	MKT APPVL: C. CHADBOURNE 04/16/1996
		PROJ #: D.O. 53610	SIZE: D
		DOCUMENT TYPE: Sales	REL LEVEL: Released
		SCALE: 1:1	DRAWING NO: SD210528-01
			REV: A
			SHEET 1 OF 1

REV: PE0200