

REV.	DATE	DESCRIPTION	ECO	BY	C'H'K.
A	12/21/2010 00:00:00 AM	REDRAW IN PROVE	22997	GV	JG

ACCOMMODATES					
CONNECTOR	TYPE	INSULATION	COLOR CODED	WIRE RANGE	CRIMP GROOVE
TERMINAL (INSULUG)	TN, YAES* YAE*, YAEV	NYLON	RED	22 - 18	INS.
TERMINAL (VINYLUG)	BA, TP	PVC			
SPLICE (INSULINK)	SN*, SNM* YSE-HN* YSE-H*, YSES*	NYLON	BLUE	16 - 14	
			YELLOW	12 - 10	
SPLICE (VINYLINK)	BS, SP	PVC			
TERMINAL (HYLUG)	T, YAV, YAV-H* YAD	NO	NO	22 - 10 AS STAMPED ON TERMINAL OR SPLICE	
SPLICE (HYLINK)	YSV, YSV-H*				

MATERIAL  
 TOOL - ALLOY STEEL - HARDENED  
 HANDLE GRIPS - VINYL PLASTISOL  
 COLOR - RED

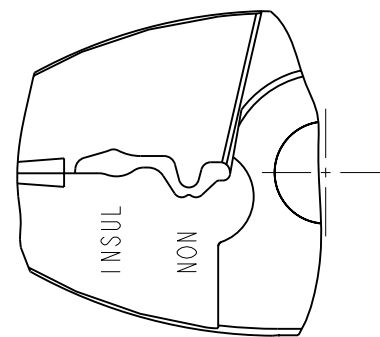
FINISH  
 TOOL - BLACKENED

WEIGHT  
 .80 LBS.

ACCOMMODATES  
 SEE TABLE

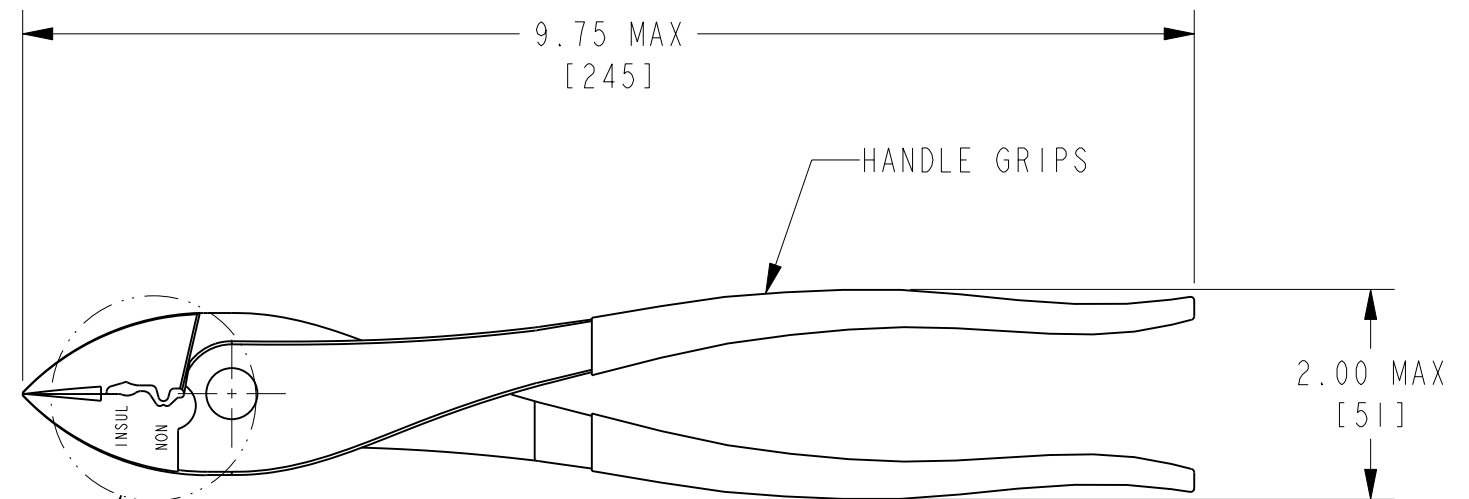
NOTES:

1. TOOLS ARE NOT SUITABLE FOR USE ON ELETRICALLY LIVE WIRES.
2. \*TOOL CRIMPS CONDUCTOR ONLY. DOES NOT CRIMP THE INSULATION GRIP OR SUPPORT FEATURE OF THESE CONNECTORS.
3. DIMENSIONS IN BRACKETS [ ] ARE IN MILLIMETERS ROUNDED OFF TO THE NEAREST MILLIMETER UNLESS OTHERWISE NOTED. METRIC DIMENSIONS ARE FOR REFERENCE ONLY.



DETAIL A

SEE DETAIL A



TO ORDER BURNDY® PRODUCTS CALL		HYTOOL™	
UNITED STATES: 1-800-346-4175 (LONDONDERRY, NH)		ITEM NO: 476086	CAT. NO: Y10D
CANADA: 1-800-361-6975 (QUEBEC) 1-800-387-6487 (ALL OTHER PROVINCES)		DRAWN BY: B MICAHUD 7/7/98	CHECKER: G HESKEY 7/27/98
FOR PRODUCT INFO: <a href="http://www.burndy.com">http://www.burndy.com</a>		DSN APPVL: G HESKEY 7/28/98	MFG APPVL: S GONYAM 7/31/98
		QA APPVL: J BRODEUR 7/30/98	MKT APPVL: B HARGROVE 7/29/98
		PROJ #:	SCALE: 5:8
		SIZE: B	DRAWING NO: SD211531-01
		REL LEVEL: Released	REV: A
		SHEET 1 OF 1	

REV: PE0200