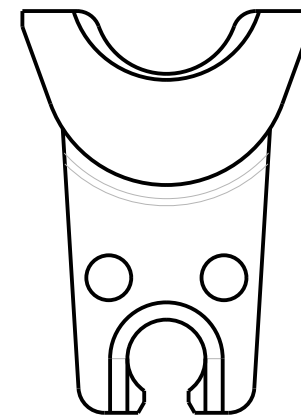
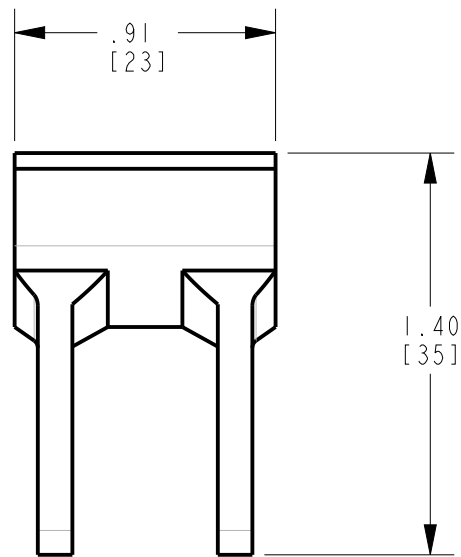
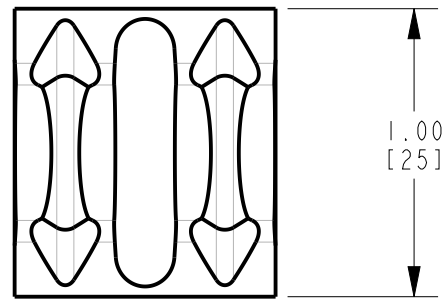


CATALOG NUMBER	DIE GROOVE	DIE INFO	COLOR CODE	GAGE CAT. NO.	USE ON CONNECTORS	NO. OF CRIMPS	INSTALLATION TOOLING USING DIES	REV.	DATE	DESCRIPTION	ECO	BY	C'H'K.	
								B	01/27/2014 00:00:00 AM	ADD GAGE CAT. NO. COLUMN TO TABLE	34286	RB	LB	
WC25	14M	DIE SET	ORANGE	WPG14M	YC25L12	2	BCT500  Y500CT  BAT500							
WC1	13M	DIE SET	BLACK	WPG13M	YC1L12	2								
WC2	12M	DIE SET	PINK	WPG12M	YC2L12	1								
WC4	10M	DIE SET	BROWN	WPG10M	YC4L12	1								



SCALE 3:2

NOTES:

1. DIMENSIONS IN BRACKETS [ ] ARE IN MILLIMETERS ROUNDED OFF THE NEAREST MILLIMETER, UNLESS OTHERWISE NOTED, AND ARE REFERENCE ONLY.

TO ORDER BURNDY® PRODUCTS CALL  
 UNITED STATES:  
 1-800-346-4175 (LONDONDERRY, NH)  
 CANADA:  
 1-800-361-6975 (QUEBEC)  
 1-800-387-6487 (ALL OTHER PROVINCES)  
 FOR PRODUCT INFO: <http://www.burndy.com>

W-DIES YC-L MULTICRIMP			
ITEM NO: SEE TABLE			
CAT. NO: SEE TABLE			
DRAWN BY: K SHRIDHAR	11/29/2012		
CHECKER: L. BROWN	09/04/2013		
DSN APPVL: L. BROWN	09/04/2013		
MFG APPVL: --	--		
QA APPVL: C. ACKERMAN	08/22/2013		
MKT APPVL: M. RZASA	06/25/2013	SCALE: 2:1	
PROD FAM: --		DRAWING NO	REV
PROJECT #: --	SIZE	SD212288-01	B
DOCUMENT TYPE: Sales	B	SHEET 1 OF 1	
REL LEVEL: Released			

REV: PE0200