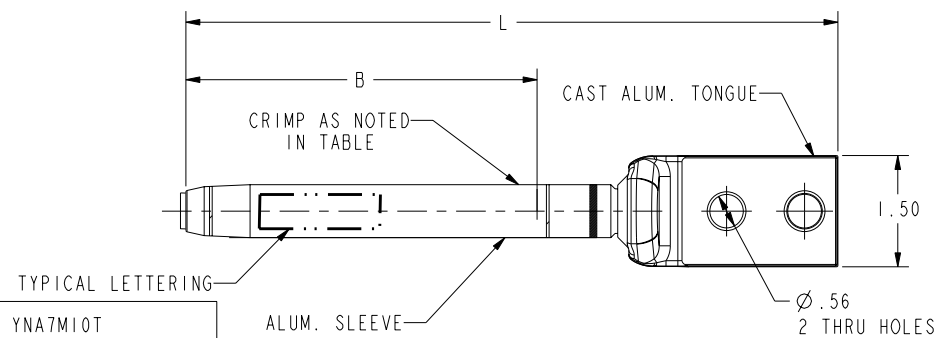


DRAWING NO.  
SD65301

| REV | DATE                   | DESCRIPTION                              | ECO   | BY | C'H'K. |
|-----|------------------------|--|-------|----|--------|
| B   | 04/30/2012 00:00:00 AM | CHANGE 5/8 TO 3/8 ON YNA7M8T & YNA7M8T15 | 27398 | MK | WP     |



**BURNDY** YNA7M10T  
7 #10 3 #7 ALUMOWELD  
#5/16 STEEL 7 STR  
BURNDY DIE 676 SPACE CRIMPS  
BURNDY DIE721 OVERLAP CRIMPS

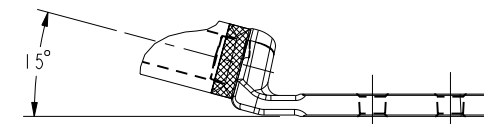
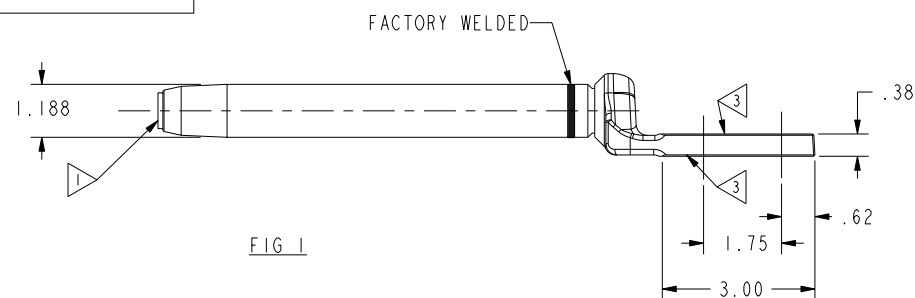


TABLE OF STATIC WIRE TERMINAL

| ACCOMMODATES              |                    | CATALOG NO. | FIG. | .O.D. | B    | L    | HARDWARE KIT | INSTALLATION DATA, HYPRESS & W/# CRIMPS |            |         |            |
|---------------------------|--------------------|-------------|------|-------|------|------|--------------|---|------------|---------|------------|
| ALUM O WELD CABLE         | STEEL CABLE        |             |      |       |      |      |              | Y35                                     |            | Y60     |            |
|                           |                    |             |      |       |      |      |              | DIE NO.                                 | NO. CRIMPS | DIE NO. | NO. CRIMPS |
| 7 #10 (.306), 3 #7 (.311) | 5/16 STEEL, 7 STR. | YNA7M10T    | 1    | .78   | 2.68 | 8.50 | TMH3         | U676                                    | 4          | L721    | 2          |
| 7 #8 (.385), 3 #5 (.392)  | 3/8 STEEL, 7 STR.  | YNA7M8T     | 1    | .88   | 3.49 | 9.81 | TMH3         | U668                                    | 7          | L723    | 2          |
| 7 #7 (.433)               | 7/16 STEEL, 7 STR. | YNA7M7T     | 1    | 1.00  | 4.19 | 9.95 | TMH3         | U678                                    | 10         | L726    | 2          |
| 7 #6 (.486)               | 1/2 STEEL, 7 STR.  | YNA7M6T     | 1    | 1.18  | 4.10 | 9.80 | TMH3         | U679                                    | 11         | L789    | 2          |
| 7 #9 (.343), 3 #6 (.349)  | - -                | YNA7M9T     | 1    | .80   | 2.79 | 8.79 | TMH3         | U677                                    | 5          | L677    | 2          |
| 7 #10 (.306), 3 #7 (.311) | 5/16 STEEL, 7 STR. | YNA7M10T15  | 2    | .78   | 2.68 | 7.88 | TMH3         | U676                                    | 4          | L721    | 2          |
| 7 #8 (.385), 3 #5 (.392)  | 3/8 STEEL, 7 STR.  | YNA7M8T15   | 2    | .88   | 3.49 | 9.19 | TMH3         | U668                                    | 7          | L723    | 2          |
| 7 #7 (.433)               | 7/16 STEEL, 7 STR. | YNA7M7T15   | 2    | 1.00  | 4.19 | 9.33 | TMH3         | U678                                    | 10         | L726    | 2          |
| 7 #6 (.486)               | 1/2 STEEL, 7 STR.  | YNA7M6T15   | 2    | 1.18  | 4.10 | 9.18 | TMH3         | U679                                    | 11         | L789    | 2          |
| 7 #9 (.343), 3 #6 (.349)  | - -                | YNA7M9T15   | 2    | .80   | 2.79 | 8.17 | TMH3         | U677                                    | 5          | L677    | 2          |

| OPTIONAL PAD MOUNTING HARDWARE KIT |   |
|------------------------------------|---|
| QTY.                               | TMH3                                    |
| 2                                  | 1/2"-13 X 1.75 ALUMINUM HEX HEAD BOLTS. |
| 2                                  | 1/2"-13 ALUMINUM HEX NUTS.              |
| 2                                  | 1/2" ALUMINUM MEDIUM FLAT WASHERS.      |
| 2                                  | 1/2" GALV. STEEL SPLIT LOCK WASHERS.    |

NOTES:

- 1 BARREL PARTIALLY FILLED WITH PENETROX AND SEALED.
- 2 OVERLAP CRIMPS
- 3 CONTACT SURFACES COATED WITH AN OXIDE RETARDANT
- 4 FOR OPTIONAL TONGUE HARDWARE KIT, ADD SUFFIX "H" TO RESPECTIVE CATALOG NUMBER. EXAMPLE: (YNA7M10TH).

|  |  |   |        |
|--|--|---|--------|
| TO ORDER BURNDY® PRODUCTS CALL<br>UNITED STATES<br>1-800-346-4175 (LONDONDERRY, NH)<br><br>CANADA:<br>1-800-361-6975 (QUEBEC)<br>1-800-387-6487 (ALL OTHER PROVINCES)<br><br>FOR PRODUCT INFO: <a href="http://www.burndy.com">http://www.burndy.com</a> |  | STATIC WIRE TERMINAL<br>ITEM NO: SEE TABLE<br>CAT. NO: SEE TABLE<br>DRAWN BY: D.D. 9/30/08<br>CHECKER: P. WALTZ 05/04/12<br>DSN APPVL: P. WALTZ 05/04/12<br>MFG APPVL: -- --<br>QA APPVL: C. ACKERMAN 05/09/12<br>MKT APPVL: D. HAMILTON 05/04/12<br>PROD FAM: TRANSMISSION<br>PROJECT #: --<br>DOCUMENT TYPE: Sales<br>REL LEVEL: Released |        |
|  |  | SCALE: 1:1<br>DRAWING NO: SD65301<br>SHEET 1 OF 1   | REV: B |

REV: PE0200