

REV	DATE	DESCRIPTION	ECO	BY	C'H'K.
B	11/02/2015 00:00:00 AM	DRAWING RELEASED	42043	MM	NJS

D

C

B

A

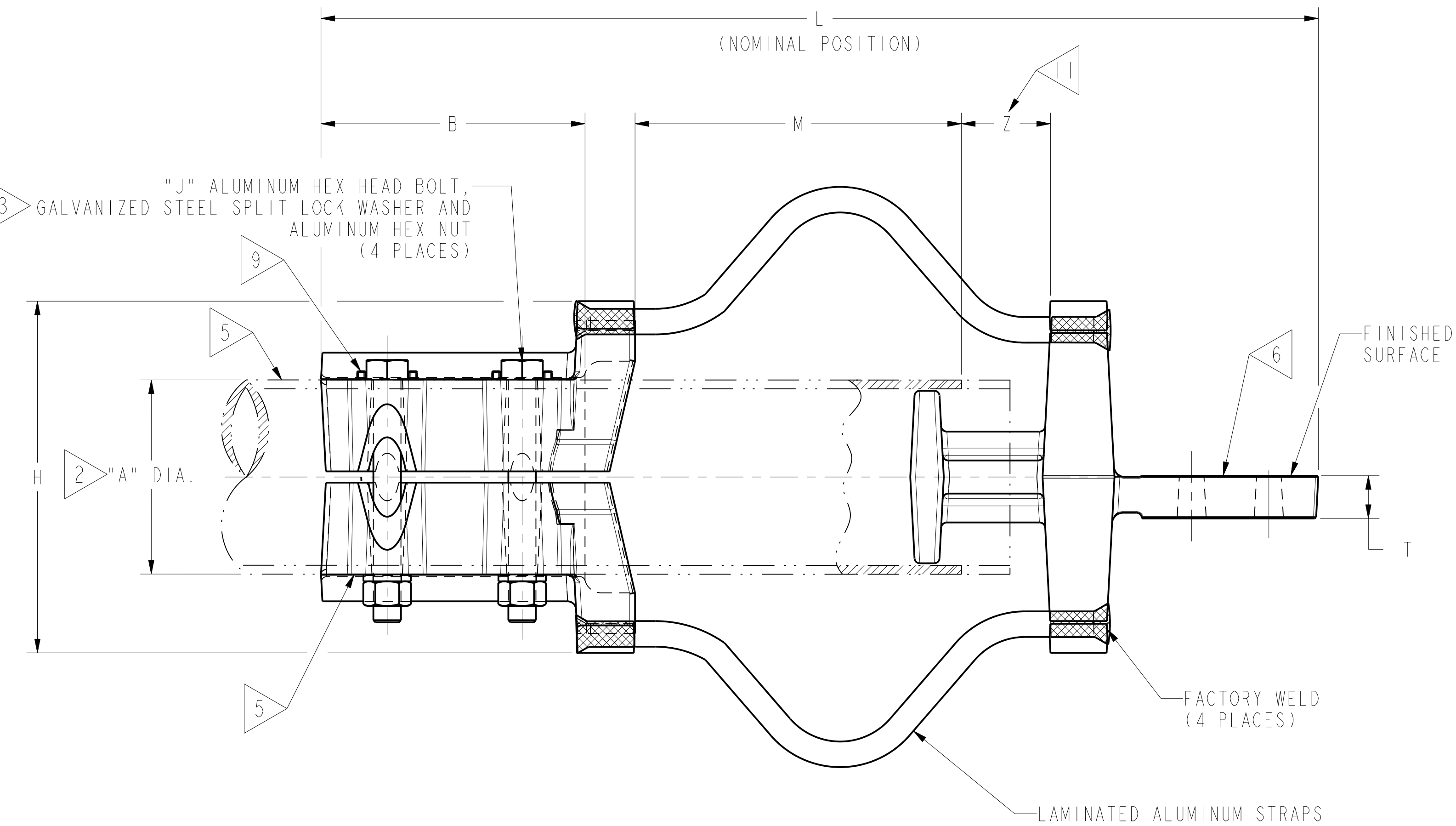


FIG. 1

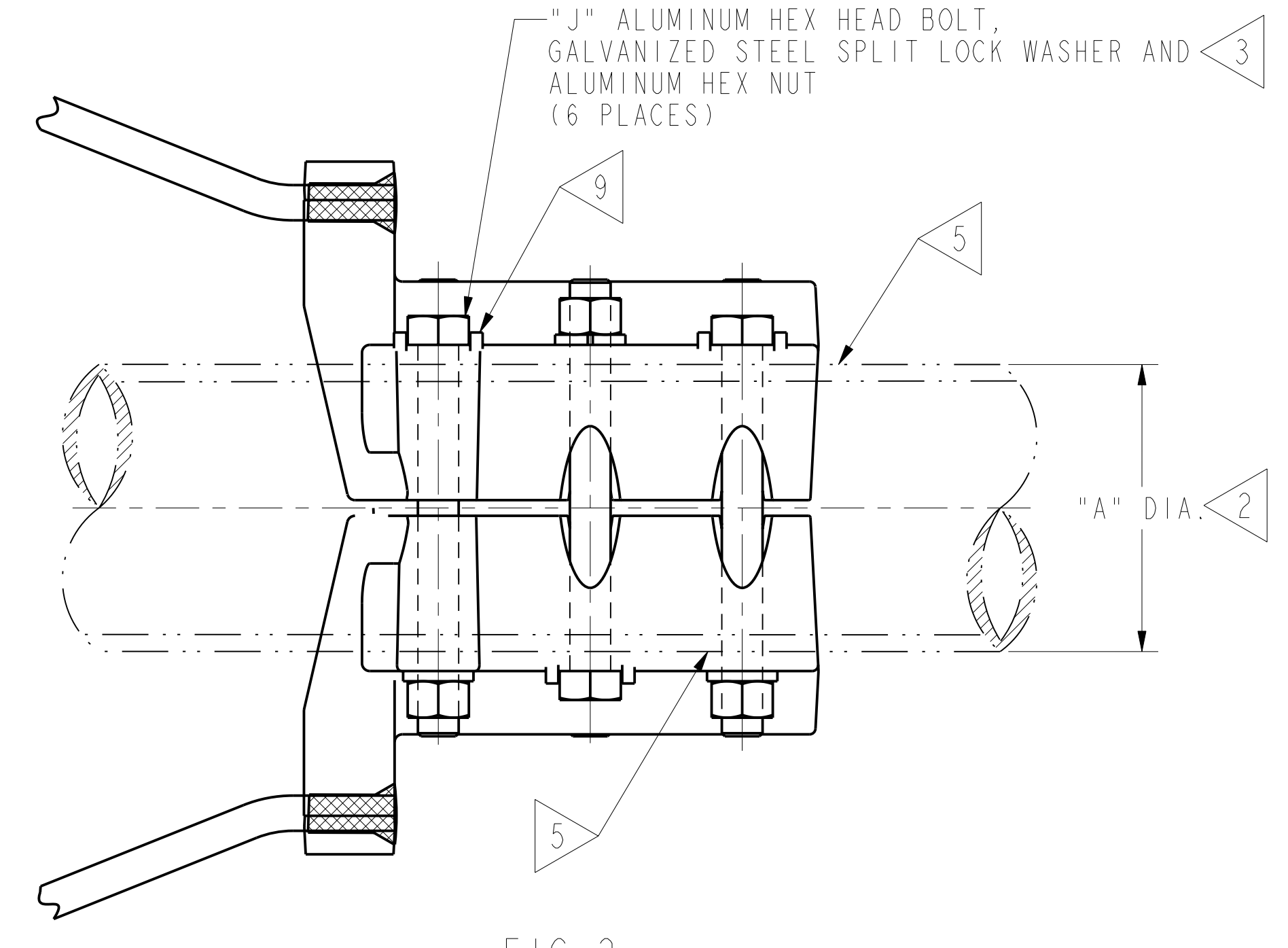
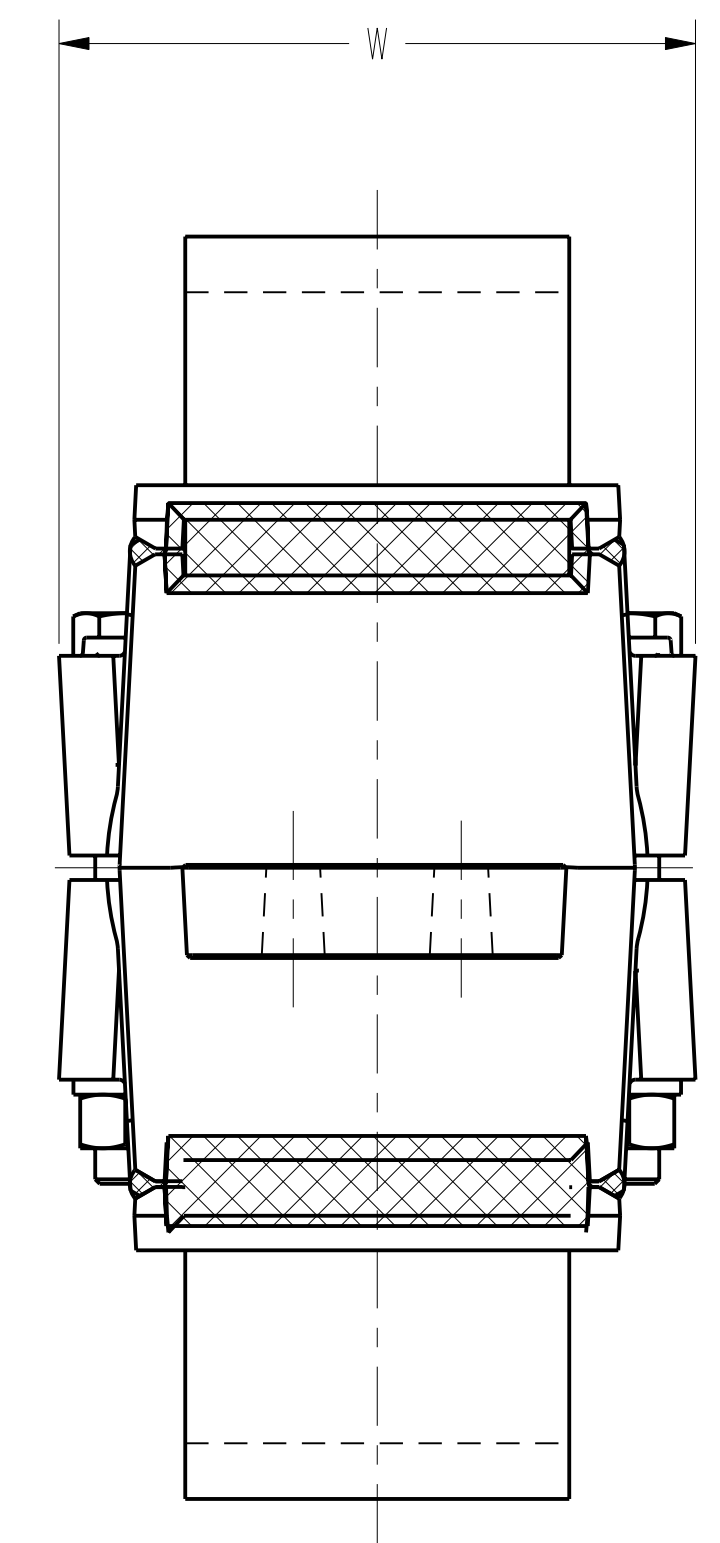


FIG. 2

NOTES:

- 1 MATERIAL:
BODY & CAP: CAST ALUMINUM ALLOY
- 2 ACCOMMODATES: SEE TABLE
- 3 NOMINAL BOLT INSTALLATION TORQUE:
1/2" HEX. ALUMINUM HARDWARE : 300 LB-IN [35 Nm].
1/2" HEX. GALVANIZED STEEL & STAINLESS STEEL HARDWARE : 480 LB-IN [55 Nm].
5/8" HEX. ALUMINUM HARDWARE : 480 LB-IN [55 Nm].
5/8" HEX. GALVANIZED STEEL & STAINLESS STEEL HARDWARE : 660 LB-IN [75 Nm].
- 4 DIMENSIONS IN BRACKETS [] DENOTES METRIC UNITS [SI UNITS] AND ARE ROUNDED TO THE NEAREST WHOLE NUMBER. UNLESS OTHERWISE SPECIFIED THESE UNITS SHALL BE USED FOR REFERENCE ONLY.
- 5 SCRATCH BRUSH CONNECTOR CONTACT SURFACE DRY, THEN APPLY PENETROX™ A. PENETROX™ CAN BE PURCHASED FROM BURNDY LLC, IN CANS OR PLASTIC SQUEEZE BOTTLES.
- 6 CONTACT SURFACE PROTECTED BY FACTORY COATING OF A CORROSION INHIBITING COMPOUND.
- 7 CENTER LINE OF PAD IN LINE CENTRE OF CONDUCTOR.
- 8 THE CONCEPT SHOWN INCORPORATES PRINCIPLES WHICH PERMIT OPERATION AT A VOLTAGE GRADIENT NORMALLY ASSOCIATED WITH 230 KV RMS OPERATION PHASE TO PHASE.
- 9 HEX BOLTS CAPTURED TO PREVENT TURNING DURING INSTALLATION.
- 10 OPTIONAL HARDWARE VARIATIONS ARE AVAILABLE BY ADDING THE FOLLOWING SUFFIX TO THE CATALOG NUMBER.
GS = GALVANIZED STEEL
SS = STAINLESS STEEL
SSDN = STAINLESS STEEL BOLTS, WASHERS & SILICON BRONZE NUTS.
EXAMPLE: XA_A_A_NGS

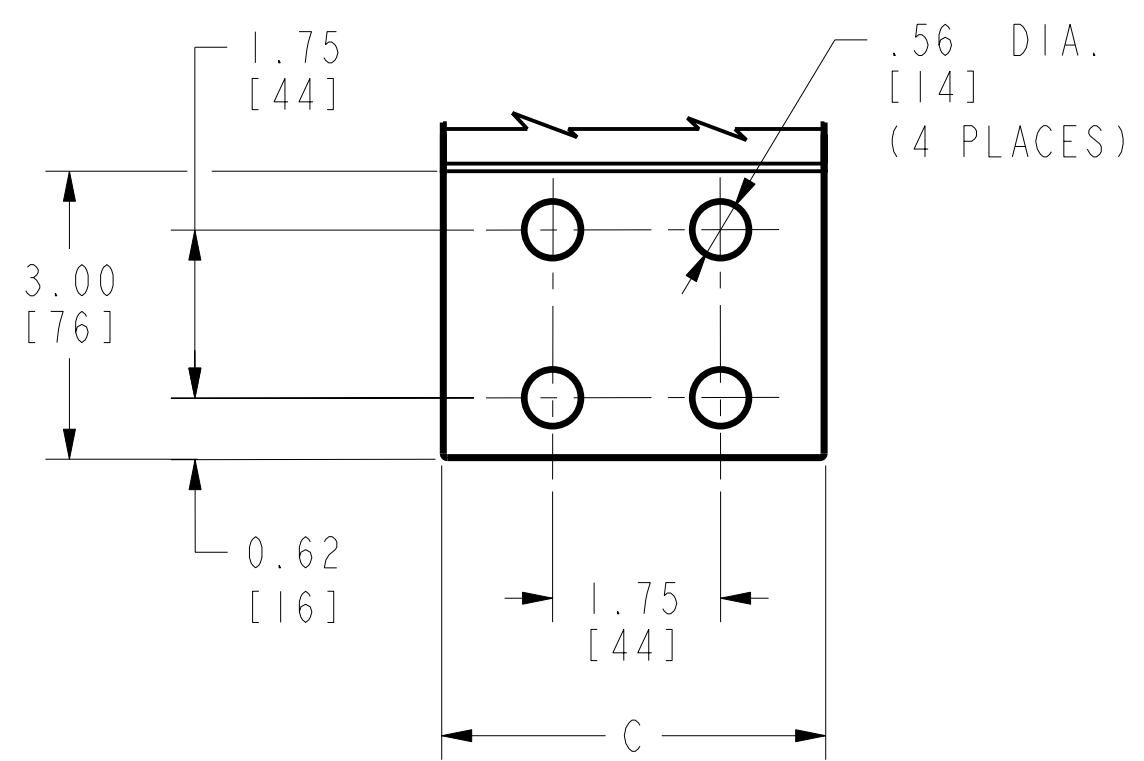


FIG. A

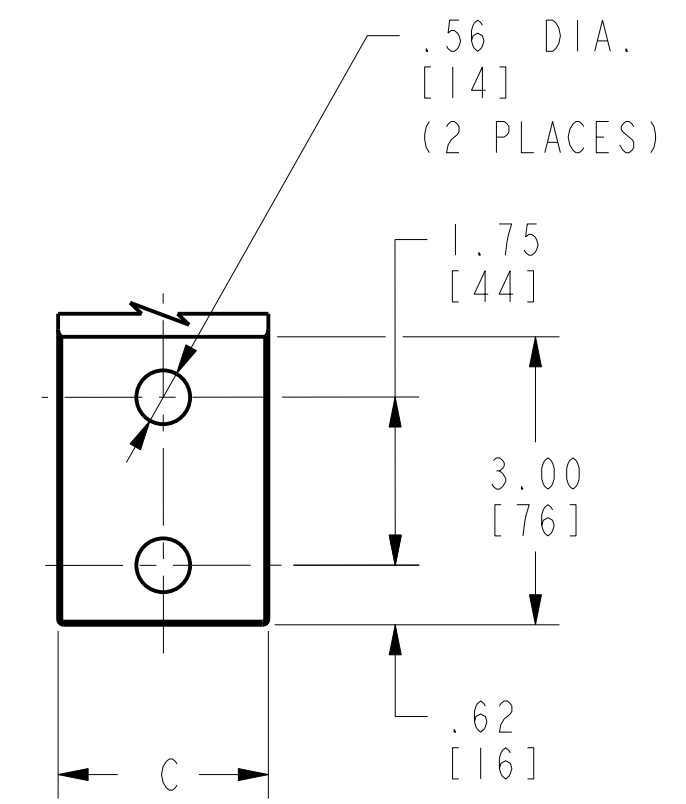


FIG. B

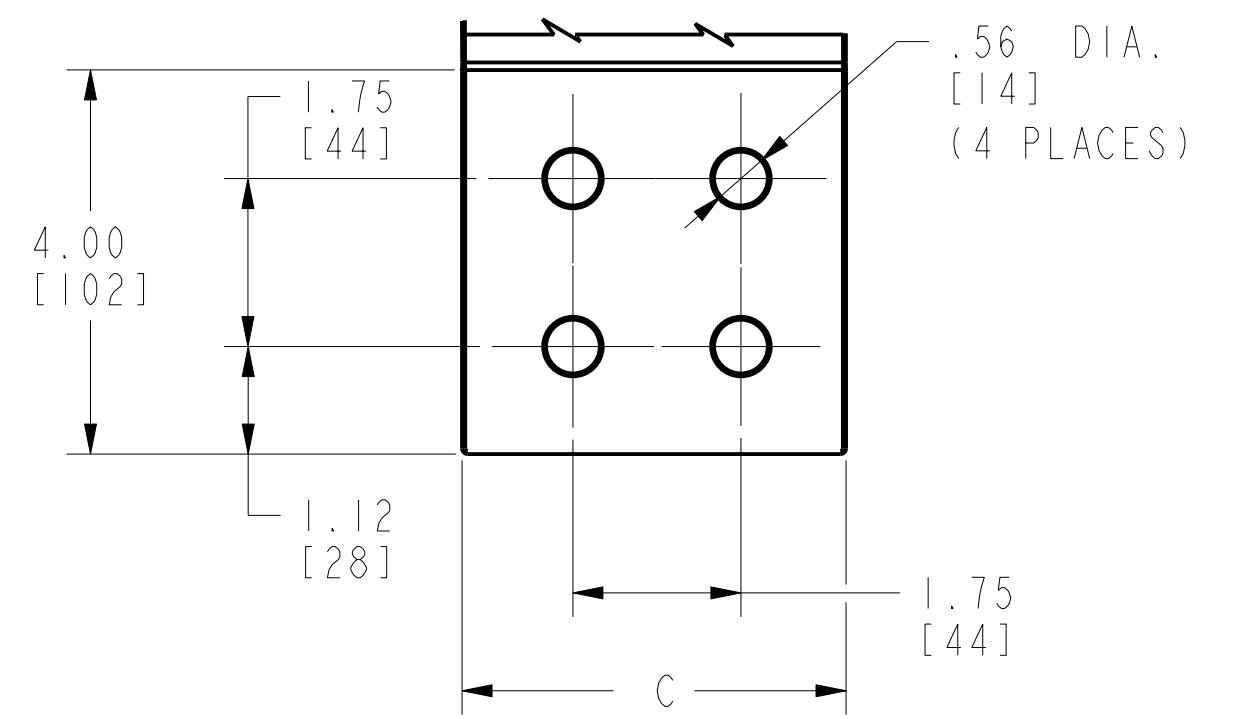


FIG. C

12 MARKING:
BURNDY
--- (CATALOG NUMBER)
--- (ACCOMMODATES)

EG:
BURNDY
XA18A4N
2" IPS AL

TO ORDER BURNDY® PRODUCTS CALL		ALUMINUM EXPANSION CONNECTOR	
UNITED STATES 1-800-346-4175 (LONDONDERRY, NH)		ITEM NO: ---	CAT. NO: SEE TABLE
CANADA: 1-800-361-6975 (QUEBEC) 1-800-387-6487 (ALL OTHER PROVINCES)		DRAWN BY: BAKKIYARAJ 07/18/10	CHECKER: NJ SUDHAKAR 01/12/16
FOR PRODUCT INFO: http://www.burndy.com		DSN APPVL: NJ SUDHAKAR 01/12/16	MFG APPVL: T WAWRZYNIAK 01/22/16
		GA APPVL: J HILLMAN 01/20/16	MKT APPVL: B KEENAN 01/22/16
		PROD FAM: ---	SCALE: NTS
		PROJECT #: ---	SIZE: D
		DOCUMENT TYPE: Sales	DRAWING NO: SE062924
		REL LEVEL: Released	REV: B
			SHEET 1 OF 2

REV: PEC200

"A" DIA. ALUM. TUBE	CAT. NO. A.S.A. SCHEDULE .40 I.P.S.		CAT. NO. A.S.A. SCHEDULE .80 E.H.P.S.		FIG. NO.	B	C	"H" I.P.S.	"H" E.H.P.S.	"J" DIA. BOLT	L	M	T	W	TOTAL MOVEMENT
	XA14A-2N	XA54A-2N	XA14A-4N	XA54A-4N											
3/4 (1.050)	XA14A-2N	XA54A-2N	IB	3.25 [83]	1.62 [41]	3.34 [85]	3.40 [87]	1/2-13 [13]	12.30 [312]	3.25 [83]	.38 [10]	2.81 [71]	2.00 [51]		
	XA14A-4N	XA54A-4N	IA		3.00 [76]										
1 (1.315)	XA15A-2N	XA55A-2N	IB	3.50 [89]	1.88 [48]	3.70 [94]	3.76 [96]	1/2-13 [13]	12.98 [330]	3.60 [91]	.38 [10]	3.06 [78]			
	XA15A-4N	XA55A-4N	IA		3.00 [76]										
1 1/4 (1.660)	XA16A-2N	XA56A-2N	IB	3.75 [95]	2.25 [57]	4.00 [102]	4.06 [103]	1/2-13 [13]	13.62 [346]	3.80 [97]	.44 [12]	3.41 [87]			
	XA16A-4N	XA56A-4N	IA		3.00 [76]										
1 1/2 (1.900)	XA17A-2N	XA57A-2N	IB	4.00 [102]	2.50 [64]	4.50 [114]	4.64 [118]	1/2-13 [13]	14.83 [377]	4.75 [121]	.50 [13]	3.64 [92]			
	XA17A-4N	XA57A-4N	IA		3.00 [76]										
2 (2.375)	XA18A-2N	XA58A-2N	IB	4.25 [108]	2.75 [70]	5.26 [134]	5.44 [138]	5/8-11 [16]	15.50 [394]	4.80 [122]	.50 [13]	4.50 [114]			
	XA18A-4N	XA58A-4N	IA		3.12 [79]										
2 1/2 (2.875)	XA19A-2N	XA59A-2N	IB	4.50 [114]	3.75 [95]	5.72 [145]	5.90 [150]	5/8-11 [16]	16.94 [430]	5.84 [148]	.69 [18]	5.00 [127]			
	XA19A-4N	XA59A-4N	IA												
3 (3.500)	XA20A-2N	XA90A-2N	IB	5.00 [127]	4.38 [111]	6.80 [173]	7.06 [179]	5/8-11 [16]	18.52 [465]	6.38 [162]	.69 [18]	5.62 [143]			
	XA20A-4N	XA90A-4N	IA												
3 1/2 (4.000)	XA21A-2N	XA91A-2N	IB	5.50 [140]	4.75 [121]	7.60 [193]	7.98 [203]	5/8-11 [16]	20.00 [508]	7.38 [187]	.81 [21]	6.12 [155]			
	XA21A-4N	XA91A-4N	IA												
4 (4.500)	XA22A-2N	XA92A-2N	IB	6.00 [152]	5.25 [133]	8.16 [207]	8.48 [215]	5/8-11 [16]	21.00 [533]	7.88 [200]	.81 [21]	6.62 [168]			
	XA22A-4N	XA92A-4N	IA		5.25 [133]										
	XA22A-44N	XA92A-44N	IC		4.00 [102]										
4 1/2 (5.000)	XA23A-2N	XA93A-2N	2B	6.50 [165]	6.19 [157]	8.94 [227]	9.32 [237]	5/8-11 [16]	22.41 [569]	8.12 [206]	.81 [21]	7.12 [181]			
	XA23A-4N	XA93A-4N	2A		6.19 [157]										
5 (5.568)	XA24A-2N	XA94A-2N	2B	7.00 [178]	6.50 [165]	9.74 [247]	10.20 [259]	5/8-11 [16]	24.15 [613]	9.38 [238]	.81 [21]	7.69 [195]			
	XA24A-4N	XA94A-4N	2A		6.50 [165]										
6 (6.625)	XA86A-2N	XA96A-2N	2B	8.00 [203]	7.62 [194]	11.02 [280]	11.54 [293]	5/8-11 [16]	26.51 [673]	11.74 [298]	.94 [24]	8.75 [222]			
	XA86A-4N	XA96A-4N	2A												

INSTALLATION DATA	
BUS TEMP. °F [°C]	2" [51] TOTAL MOVEMENT "Z"
-20 [-29]	2.50 [64]
-10 [-23]	2.41 [61]
0 [-18]	2.32 [59]
10 [-12]	2.23 [57]
20 [-7]	2.14 [54]
30 [-1]	2.04 [52]
40 [4]	1.95 [50]
50 [10]	1.86 [47]
60 [16]	1.77 [45]
70 [21]	1.68 [43]
80 [27]	1.59 [40]
90 [32]	1.50 [38]
100 [38]	1.41 [36]
110 [43]	1.32 [34]
120 [49]	1.23 [31]
130 [54]	1.14 [29]
140 [60]	1.04 [26]
150 [66]	.95 [24]
160 [71]	.86 [22]
170 [77]	.77 [20]
180 [82]	.68 [17]
190 [88]	.59 [15]
200 [93]	.50 [13]

REV	DATE	DESCRIPTION	ECO	BY	C.H.K.
B	11/02/2015 00:00:00 AM	DRAWING RELEASED	42043	MM	NJS

NOMINAL POSITION

TO ORDER BURNDY® PRODUCTS CALL

UNITED STATES
1-800-346-4175 (LONDONDERRY, NH)

CANADA:
1-800-361-6975 (QUEBEC)
1-800-387-6487 (ALL OTHER PROVINCES)

FOR PRODUCT INFO: <http://www.burndy.com>

ALUMINUM EXPANSION CONNECTOR

ITEM NO: --

CAT. NO: SEE TABLE

DRAWN BY: BAKKIYARAJ 07/18/10

CHECKER: NJ SUDHAKAR 01/12/16

DSN APPVL: NJ SUDHAKAR 01/12/16

MFG APPVL: T WAWRZYNIAK 01/22/16

QA APPVL: J HILLMAN 01/20/16

MKT APPVL: B KEENAN 01/22/16

PROD FAM: --

PROJECT #: --

DOCUMENT TYPE: Sales

REL LEVEL: Released

SCALE: NTS

DRAWING NO	REV
SE062924	B
SHEET 2 OF 2	