

| CONNECTOR SIZE | TOLERANCES | | | | | |
|----------------|------------|------|--------|------|------|------|
| | B | C | K DIA. | L | N | O.D. |
| -10C | ±.03 | ±.04 | ±.02 | ±.06 | ±.03 | ±.01 |
| 8C - 25 | ±.06 | ±.04 | ±.02 | ±.09 | ±.03 | ±.01 |
| 26 - 34 | ±.08 | ±.04 | ±.02 | ±.12 | ±.03 | ±.01 |
| 35 AND UP | ±.09 | ±.06 | ±.02 | ±.15 | ±.06 | ±.01 |

| REV | DATE | DESCRIPTION | ECO | BY | C'H'K. |
|-----|------------------------|---------------------|-------|----|--------|
| G | 09/07/2012 16:12:00 PM | COMBINED THE SHEETS | 28713 | BD | MB |

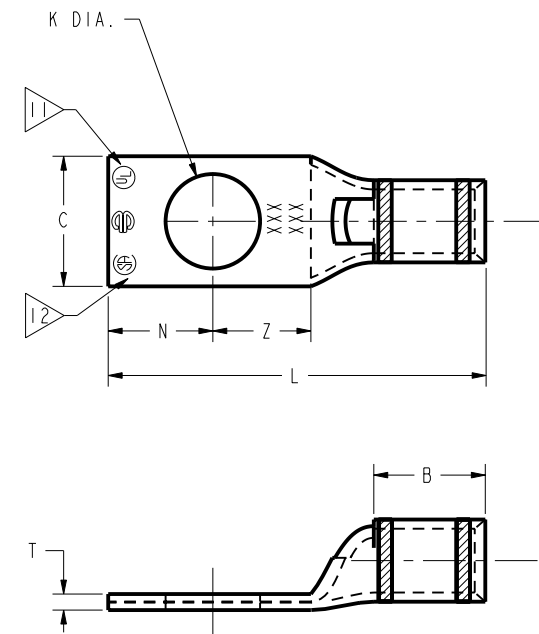


FIG. 1

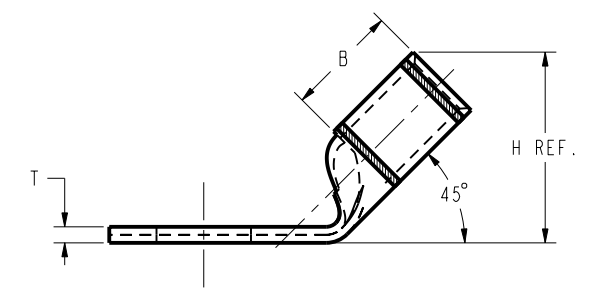
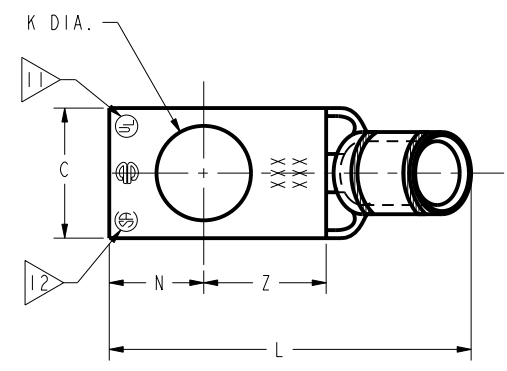


FIG. 2

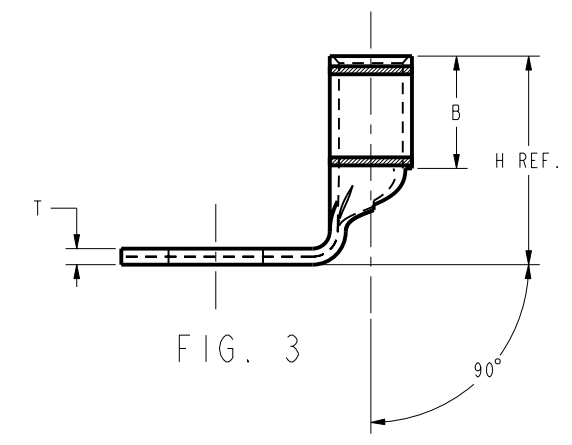
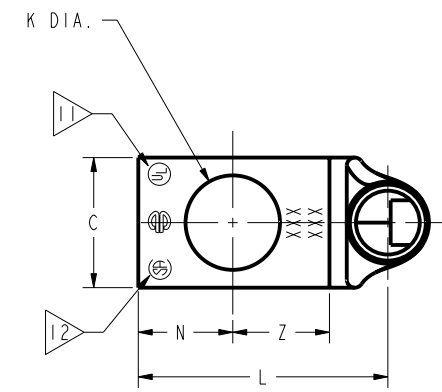


FIG. 3

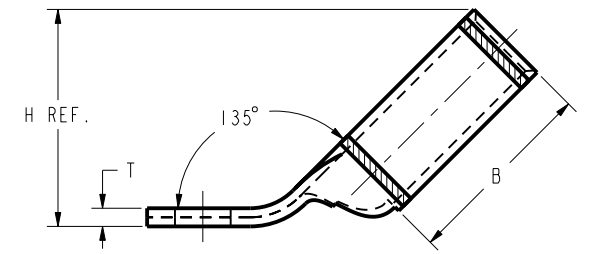
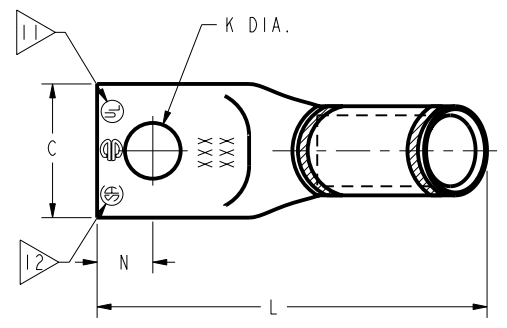


FIG. 4

NOTES:

- MATERIAL: COPPER TUBING.
- FINISH: TIN PLATED. FOR UNPLATED PARTS USE SUFFIX "UNPL" (EXAMPLE: YA26LTC12FXUNPL). FOR UNPLATED PARTS WITH INK MARKED BARREL USE SUFFIX "BR" (EXAMPLE: YAV6CLTC38FXBR).
- CATALOG # PT6515 ADAPTOR IS REQUIRED TO USE "U" DIES IN Y45 SERIES TOOLS.
- CATALOG # PUADP-1 ADAPTOR IS REQUIRED TO USE "U" DIES IN Y46 SERIES TOOLS.
- NAVY CABLE SIZE MAY BE OMITTED ON SOME SIZES BECAUSE OF SPACE LIMITATIONS.
- PERMANENT DIE IN TOOLING.
- DIMENSIONS IN [] BRACKETS ARE IN MILLIMETERS, ROUNDED OFF TO THE NEAREST MILLIMETER UNLESS OTHERWISE NOTED. METRIC DIMENSIONS ARE FOR REFERENCE ONLY.
- IF HIGHEST REVISION OF THIS SALES PRINT IS AFFECTED, UPDATE PRINT WSA208758 TO INCLUDE THE NEW REVISION.
- ALL OF THE CATALOG NUMBERS FOR THESE HYLUGS™ CAN BE ORDERED WITH OR WITHOUT SKIVE.
EXAMPLE: YA34L-TC12-FX (SKIVE)
YAG34L-TC12-FX (NO SKIVE)
- ALL OF THE CATALOG NUMBERS FOR THESE HYLUGS™ CAN BE ORDERED WITH NICKEL PLATING BY ADDING THE SUFFIX "NK" AFTER "FX" IN THE CATALOG NUMBER.
- CONNECTORS ARE UL LISTED, UNDRILLED VERSIONS ARE NOT UL LISTED. UNPLATED PARTS ARE NOT UL LISTED.
- CONNECTORS ARE CSA CERTIFIED, UNDRILLED VERSIONS ARE NOT CSA CERTIFIED. UNPLATED PARTS ARE NOT CSA LISTED.
- FOR UNDRILLED VERSIONS ADD SUFFIX "-U" TO END OF CATALOG NUMBER. FOR UNDRILLED VERSIONS, USE D MIN. = N MAX. + Z MIN.
- SHEET 2 WAS MADE OBSOLETE.

TO ORDER BURNDY® PRODUCTS CALL
 UNITED STATES
 1-800-346-4175 (LONDONDERRY, NH)
 CANADA:
 1-800-361-6975 (QUEBEC)
 1-800-387-6487 (ALL OTHER PROVINCES)
 FOR PRODUCT INFO: <http://www.burndy.com>

| HYLUG™ | |
|----------------|--|
| ITEM NO: | N/A |
| CAT. NO: | YAV-L-TC-FX, YAV-L-NT-FX-, YA-L-TC-FX- |
| DRAWN BY: | D FILLION 11/25/92 |
| CHECKER: | K HENRY 10/02/92 |
| DSN APPVL: | C PALAGI 12/04/92 |
| MFG APPVL: | -- |
| QA APPVL: | A LLOYD 12/07/92 |
| MKT APPVL: | T NELSON 12/04/92 |
| PROD FAM: | CM&R Compression |
| PROJECT #: | -- |
| DOCUMENT TYPE: | Sales |
| REL LEVEL: | Released |
| DRAWING NO | SE208001 |
| SCALE: | NTS |
| REV | G |
| SHEET 1 OF 18 | |

REV: PE0200

DRAWING NO.
SE208001

7

6

5

4

3

2

1

| REV | DATE | DESCRIPTION | ECO | BY | C'H'K. |
|-----|------------------------|---------------------|-------|----|--------|
| G | 09/07/2012 16:12:00 PM | COMBINED THE SHEETS | 28713 | BD | MB |

| D | CATALOG NO. | FIG. NO. | CONDUCTOR | | | BOLT SIZE | DIMENSIONS | | | | | | | BURNDY® INSTALLATION TOOLING (# CRIMPS) | | | | | | | | | | D | | | |
|---|-----------------|----------|----------------------------|------------|--------------------------------|-----------------------|------------|------------------------------|-----------|-----------|--------------|--------------|--------------|---|----------|--------------------------------|-----------------------|-------------|------------------------------|--------------|------------------------|-----------------------------|---------------|---|--------------------|-------------------|---------|
| | | | FLEX | CODE (AWG) | 5 NAVY | | B | C | H | K | L | N | O.D. | T REF. | Z MIN. | DIE INDEX | COLOR CODE | MECHANICAL | | | HYDRAULIC | | | | DIELESS (# CRIMPS) | WIRE STRIP LENGTH | |
| | | | | | | | | | | | | | | | | | | MD7-34R MD6 | OUR840 | YIMRTC < 6 | PATMD6, PAT600, YCT500 | Y750, Y35 Y39, BAT35 PAT750 | Y46 PAT46 < 4 | | | | Y45 < 3 |
| | YAV4CLTC10FX | 1 | #4 WELD 91/24 105/24 | #4 AWG | 40 & 50 | #10 | .50 [13] | ----- | ----- | 1.32 [34] | ----- | .38 [10] | ----- | 8 OR 346 | GRAY | W4CRT X4CRT W4CVT (1) | X4CRT W4CVT (1) | (2 CRIMP) | W4CRT (1) W4CVT (1) | U4CRT (1) | U4CRT (1) | U4CRT (1) | U4CRT (1) | MECHANICAL: MY29-11 (1) HYDRAULIC: Y644M (1) PAT644 (1) Y81KFT (1) PAT81KFT (1) Y4PC834 (1) PAT4PC834 (1) | 1/2" | | |
| | YAV4CLTC10FX45 | 2 | | | | | .55 [14] | .84 [21] | .21 [5] | 1.30 [33] | .25 [6] | .09 [2] | .27 [7] | 8 OR 346 | GRAY | W4CRT X4CRT W4CVT (1) | X4CRT W4CVT (1) | (2 CRIMP) | W4CRT (1) W4CVT (1) | U4CRT (1) | U4CRT (1) | U4CRT (1) | U4CRT (1) | | 1/2" | | |
| | YAV4CLTC10FX90 | 3 | | | | | .94 [24] | .79 [20] | 1/4 | 1.44 [37] | .31 [8] | .09 [2] | .33 [8] | | | | | | | | | | | | | | |
| | YAV4CLTC14FX | 1 | 5/16 | .55 [14] | .84 [21] | .27 [7] | 1.43 [36] | .34 [9] | | .09 [2] | | | | | | | | | | | | | | .36 [9] | | | |
| | YAV4CLTC14FX45 | 2 | | .94 [24] | .92 [23] | 3/8 | 1.67 [42] | | | | | | | .41 [10] | .08 [2] | .42 [11] | | | | | | | | | | | |
| | YAV4CLTC14FX90 | 3 | | .55 [14] | .84 [21] | | .33 [8] | | 1.49 [38] | | .53 [13] | .07 [2] | .55 [14] | | | | | | | | | | | | | | |
| | YAV4CLTC516FX | 1 | #4 WELD 91/24 105/24 | #4 AWG | 40 & 50 | | 1/2 | .71 [18] | .86 [22] | .53 [13] | | | | | | | 1.84 [47] | .53 [13] | .07 [2] | .55 [14] | | | | | | | |
| | YAV4CLTC516FX45 | 2 | | | | .94 [24] | | 1.34 [34] | #10 | .41 [10] | | | | .84 [21] | .21 [5] | 1.30 [33] | .25 [6] | | | | .09 [2] | .27 [7] | | | | | |
| | YAV4CLTC516FX90 | 3 | | | | .94 [24] | | .98 [25] | | 1/4 | .50 [13] | .64 [16] | .27 [7] | 1.63 [41] | .31 [8] | .09 [2] | | | | | | | .33 [8] | | | | |
| | YAV4CLTC38FX | 1 | 8 OR 346 | GRAY | W4CRT X4CRT W4CVT (1) | X4CRT W4CVT (1) | (2 CRIMP) | W4CRT (1) W4CVT (1) | | | U4CRT (1) | U4CRT (1) | U4CRT (1) | 1/2" | | | | | | | | | | | | | |
| | YAV4CLTC38FX45 | 2 | | | | | | | .58 [15] | | | | | | | | .87 [22] | .40 [10] | 1.63 [41] | .53 [13] | .07 [2] | .55 [14] | | | | | |
| | YAV4CLTC38FX90 | 3 | | | | | | | .97 [25] | 1.10 [28] | | | | | 1/2 | .71 [18] | .86 [22] | .53 [13] | 1.84 [47] | | | | .53 [13] | .07 [2] | .55 [14] | | |
| | YAV4CLTC12FX | 1 | #4 WELD 91/24 105/24 | #4 AWG | 40 & 50 | 1/2 | .71 [18] | .86 [22] | .53 [13] | 1.84 [47] | .53 [13] | .07 [2] | .55 [14] | | | | | | | | | | | | | | |
| | YAV4CLTC12FX45 | 2 | | | | | .94 [24] | 1.34 [34] | #10 | .41 [10] | | | | .84 [21] | | .21 [5] | 1.30 [33] | .25 [6] | .09 [2] | .27 [7] | | | | | | | |
| | YAV4CLTC12FX90 | 3 | | | | | .94 [24] | .98 [25] | | 1/4 | | | | .50 [13] | .64 [16] | .27 [7] | 1.63 [41] | | | | .31 [8] | .09 [2] | .33 [8] | | | | |
| | YAV4CLNT10FX | 1 | 8 OR 346 | GRAY | W4CRT X4CRT W4CVT (1) | X4CRT W4CVT (1) | (2 CRIMP) | W4CRT (1) W4CVT (1) | | | U4CRT (1) | U4CRT (1) | U4CRT (1) | 1/2" | | | | | | | | | | | | | |
| | YAV4CLNT10FX45 | 2 | | | | | | | .58 [15] | | | | | | .87 [22] | .40 [10] | 1.63 [41] | .53 [13] | .07 [2] | .55 [14] | | | | | | | |
| | YAV4CLNT10FX90 | 3 | | | | | | | .97 [25] | 1.10 [28] | | | | | 1/2 | .71 [18] | .86 [22] | | | | .53 [13] | 1.84 [47] | .53 [13] | .07 [2] | .55 [14] | | |
| | YAV4CLNT14FX135 | 4 | #4 WELD 91/24 105/24 | #4 AWG | 40 & 50 | 1/4 | .50 [13] | .64 [16] | .27 [7] | 1.63 [41] | .31 [8] | .09 [2] | .33 [8] | | | | | | | | | | | | | | |

SEE SHEET 1 OF 18 FOR NOTES

| | | | |
|---|--|------------------------------|---------------------------------------|
| TO ORDER BURNDY® PRODUCTS CALL | | HYLUG™ | |
| UNITED STATES 1-800-346-4175 (LONDONDERRY, NH) | | ITEM NO: N/A | CAT. NO: YAV4CL-TC-FX-, YAV4CL-NT-FX- |
| CANADA: 1-800-361-6975 (QUEBEC) 1-800-387-6487 (ALL OTHER PROVINCES) | | DRAWN BY: D FILLION 11/30/92 | CHECKER: K HENRY 12/02/92 |
| FOR PRODUCT INFO: http://www.burndy.com | | DSN APPVL: C PALAGI 12/04/92 | MFG APPVL: -- |
| | | QA APPVL: A LLOYD 12/07/92 | MKT APPVL: -- |
| | | PROD FAM: CM&R Compression | DRAWING NO: SE208001 |
| | | PROJECT #: -- | SCALE: 1:1 |
| | | DOCUMENT TYPE: Sales | REV: G |
| | | REL LEVEL: Released | SHEET 4 OF 18 |

REV: PE0200

8

7

6

5

4

3

2

1

DRAWING NO.
SE208001

7

6

5

4

3

2

1

| REV | DATE | DESCRIPTION | ECO | BY | C'H'K. |
|-----|------------------------|---------------------|-------|----|--------|
| G | 09/07/2012 16:12:00 PM | COMBINED THE SHEETS | 28713 | BD | MB |

D

D

C

C

B

B

A

A

| CATALOG NO. | CONDUCTOR | | | BOLT SIZE | FIG. NO. | DIMENSIONS | | | | | | | BURNDY® INSTALLATION TOOLING (# CRIMPS) | | | | | | | | | | | | | | |
|-----------------|-----------------------------|------------|-----------------------------|-------------|--------------|--------------|-------------|--------------|------------|-----------------|------------|--------------------------------|---|--------------------------------|--------------------------------|-----------------------|--------------------------------|-----------------------|--------------------------------|--------------------------------|---|--------|-----------------------|--------------------------------|-----------------------|--------------------------------|--------------------------------|
| | FLEX | CODE (AWG) | 5 NAVY | | | B | C | H | K | L | N | O.D. | T REF. | Z MIN. | DIE INDEX | COLOR CODE | MECHANICAL | | HYDRAULIC | | | | DIELESS (# CRIMPS) | WIRE STRIP LENGTH | | | |
| | | | | | | | | | | | | | | | | | MD7-34R MD6 | OUR840 | PATMD6, PAT600, YCT500 | Y750, Y35 Y39, BAT35 PAT750 | Y46 PAT46 | 4 | | | Y45 | 3 | |
| YAVICLTC10FX | #1 WELD 175/24 225/24 | #1 AWG | 75 | .62 [16] | .75 [19] | ----- | .21 [5] | 1.52 [39] | .25 [6] | .51 [13] | .12 [3] | .27 [7] | 11 OR 375 | GREEN | WICRT XICRT WICVT (1) | XICRT WICVT (1) | WICRT XICRT WICVT (1) | UICRT (1) | UICRT (1) | UICRT (1) | MECHANICAL: MY29-11 (1) HYDRAULIC: Y644M (1) PAT644 (1) Y81KFT (1) PAT81KFT (1) Y4PC834 (1) PAT4PC834 (1) | 11/16" | | | | | |
| YAVICLTC10FX45 | | | | | | 1.10 [28] | | 1.52 [39] | | | | | | | .51 [13] | .12 [3] | .27 [7] | 11 OR 375 | GREEN | WICRT XICRT WICVT (1) | | | XICRT WICVT (1) | WICRT XICRT WICVT (1) | UICRT (1) | UICRT (1) | UICRT (1) |
| YAVICLTC10FX90 | | | | | | 1.20 [30] | | .88 [22] | | | | | | | | | | | | .51 [13] | | | .12 [3] | .27 [7] | 11 OR 375 | GREEN | WICRT XICRT WICVT (1) |
| YAVICLTC14FX | 1/4 [M6] | 75 | ----- | .27 [7] | 1.65 [42] | .31 [8] | .51 [13] | .12 [3] | .27 [7] | 11 OR 375 | GREEN | WICRT XICRT WICVT (1) | XICRT WICVT (1) | WICRT XICRT WICVT (1) | UICRT (1) | UICRT (1) | UICRT (1) | | | | | | | | | | |
| YAVICLTC14FX45 | | | 1.10 [28] | | 1.64 [42] | | | | | | | .51 [13] | .12 [3] | .27 [7] | 11 OR 375 | GREEN | WICRT XICRT WICVT (1) | XICRT WICVT (1) | WICRT XICRT WICVT (1) | UICRT (1) | | | UICRT (1) | UICRT (1) | | | |
| YAVICLTC14FX90 | | | 1.20 [30] | | 1.00 [25] | | | | | | | | | | | | .51 [13] | .12 [3] | .27 [7] | 11 OR 375 | | | GREEN | WICRT XICRT WICVT (1) | XICRT WICVT (1) | WICRT XICRT WICVT (1) | UICRT (1) |
| YAVICLTC516FX | 5/16 [M8] | 75 | ----- | .33 [8] | 1.71 [43] | .34 [9] | .51 [13] | .12 [3] | .27 [7] | 11 OR 375 | GREEN | WICRT XICRT WICVT (1) | XICRT WICVT (1) | WICRT XICRT WICVT (1) | UICRT (1) | UICRT (1) | | | | | | | | UICRT (1) | | | |
| YAVICLTC516FX45 | | | 1.10 [28] | | 1.70 [43] | | | | | | | .51 [13] | .12 [3] | .27 [7] | 11 OR 375 | GREEN | WICRT XICRT WICVT (1) | XICRT WICVT (1) | WICRT XICRT WICVT (1) | UICRT (1) | | | UICRT (1) | UICRT (1) | | | |
| YAVICLTC516FX90 | | | 1.20 [30] | | 1.07 [27] | | | | | | | | | | | | .51 [13] | .12 [3] | .27 [7] | 11 OR 375 | | | GREEN | WICRT XICRT WICVT (1) | XICRT WICVT (1) | WICRT XICRT WICVT (1) | UICRT (1) |
| YAVICLTC38FX | 3/8 [M10] | 75 | ----- | .41 [10] | 1.84 [47] | .41 [10] | .51 [13] | .12 [3] | .27 [7] | 11 OR 375 | GREEN | WICRT XICRT WICVT (1) | XICRT WICVT (1) | WICRT XICRT WICVT (1) | UICRT (1) | UICRT (1) | | | | | | | | UICRT (1) | | | |
| YAVICLTC38FX45 | | | 1.10 [28] | | 1.83 [46] | | | | | | | .51 [13] | .12 [3] | .27 [7] | 11 OR 375 | GREEN | WICRT XICRT WICVT (1) | XICRT WICVT (1) | WICRT XICRT WICVT (1) | UICRT (1) | | | UICRT (1) | UICRT (1) | | | |
| YAVICLTC38FX90 | | | 1.20 [30] | | 1.19 [30] | | | | | | | | | | | | .51 [13] | .12 [3] | .27 [7] | 11 OR 375 | | | GREEN | WICRT XICRT WICVT (1) | XICRT WICVT (1) | WICRT XICRT WICVT (1) | UICRT (1) |
| YAVICLTC12FX | 1/2 [M12] | 75 | ----- | .53 [13] | 2.09 [53] | .53 [13] | .51 [13] | .12 [3] | .27 [7] | 11 OR 375 | GREEN | WICRT XICRT WICVT (1) | XICRT WICVT (1) | WICRT XICRT WICVT (1) | UICRT (1) | UICRT (1) | | | | | | | | UICRT (1) | | | |
| YAVICLTC12FX45 | | | 1.10 [28] | | 2.08 [53] | | | | | | | .51 [13] | .12 [3] | .27 [7] | 11 OR 375 | GREEN | WICRT XICRT WICVT (1) | XICRT WICVT (1) | WICRT XICRT WICVT (1) | UICRT (1) | | | UICRT (1) | UICRT (1) | | | |
| YAVICLTC12FX90 | | | #1 WELD 175/24 225/24 | | #1 AWG | | | | | | | | | | | | 1.20 [30] | 1.44 [37] | .51 [13] | .12 [3] | | | .27 [7] | 11 OR 375 | GREEN | WICRT XICRT WICVT (1) | XICRT WICVT (1) |

SEE SHEET 1 OF 18 FOR NOTES

| | | | |
|---|--|-----------------------------|--|
| TO ORDER BURNDY® PRODUCTS CALL | | HYLUG™ | |
| UNITED STATES 1-800-346-4175 (LONDONDERRY, NH) | | ITEM NO: N/A | |
| CANADA: 1-800-361-6975 (QUEBEC) 1-800-387-6487 (ALL OTHER PROVINCES) | | CAT. NO: YAVICL-TC-FX- | |
| FOR PRODUCT INFO: http://www.burndy.com | | DRAWN BY: R NARESH 04/06/05 | |
| | | CHECKER: K BABU 04/06/05 | |
| | | DSN APPVL: -- | |
| | | MFG APPVL: -- | |
| | | QA APPVL: -- | |
| | | MKT APPVL: -- | |
| | | SCALE: 1:1 | |
| | | PROD FAM: CM&R Compression | |
| | | DRAWING NO | |
| | | REV | |
| | | PROJECT #: -- | |
| | | SIZE | |
| | | DOCUMENT TYPE: Sales | |
| | | REL LEVEL: Released | |
| | | SE208001 | |
| | | SHEET 6 OF 18 | |
| | | G | |

8

7

6

5

4

3

2

1

REV: PE0200

DRAWING NO.
SE208001

7

6

5

4

3

2

1

| REV | DATE | DESCRIPTION | ECO | BY | CHK |
|-----|------------------------|---------------------|-------|----|-----|
| G | 09/07/2012 16:12:00 PM | COMBINED THE SHEETS | 28713 | BD | MB |

D

D

C

C

B

B

A

A

| CATALOG NO. | CONDUCTOR | | | BOLT SIZE | FIG. NO. | DIMENSIONS | | | | | | | | BURNDY® INSTALLATION TOOLING (#CRIMPS) | | | | | | | | | | | |
|-----------------|-----------------|------------|-----------|-----------|----------|------------|----------|-----------|----------|----------|---------|-----------|-----------|--|-----------------------|-----------------------|-----------------------|--------------------|----------------------|----------------------|---|--------|--------------------|-------------------|---------|
| | FLEX | CODE (AWG) | 5 NAVY | | | B | C | H | K | L | N | O.D. | T REF. | Z MIN. | DIE INDEX | COLOR CODE | MECHANICAL RATCHET | | HYDRAULIC | | | | DIELESS (# CRIMPS) | WIRE STRIP LENGTH | |
| | | | | | | | | | | | | | | | | | MD7-34R MD6 | OUR840 | BCT500 Y500CT PAT600 | Y750 Y35, Y39 PAT750 | Y46 PAT46 | Y45 | | | |
| YAV25LTC10FX | 1/0 WELD 275/24 | 1/0 AWG | 100 | .69 [18] | .83 [21] | ----- | .21 [5] | 1.63 [41] | .25 [6] | .56 [14] | .12 [3] | .27 [7] | 12 OR 348 | PINK | W25RT X25RT W25VT (2) | X25RT W25VT (2) | W25RT X25RT W25VT (2) | U25RT UR4204WE (1) | U25RT UR4204WE (1) | U25RT UR4204WE (1) | MECHANICAL: MY29-11 (1) HYDRAULIC: Y644M (1) PAT644 (1) Y81KFT (1) PAT81KFT (1) Y4PC834 (1) PAT4PC834 (1) | 11/16" | | | |
| YAV25LTC14FX | ↑ | ↑ | ↑ | ↑ | ↑ | ----- | .27 [7] | 1.75 [44] | .31 [8] | ↑ | ↑ | .33 [8] | ↑ | ↑ | ↑ | ↑ | ↑ | ↑ | ↑ | ↑ | | | ↑ | ↑ | |
| YAV25LTC14FX45 | | | | | | | | 1.20 [30] | | | | | | | | | | | | | | | | | .33 [8] |
| YAV25LTC14FX90 | | | | | | | | 1.31 [33] | | | | | | | | | | | | | | | | | |
| YAV25LTC516FX | ↑ | ↑ | ↑ | ↑ | ↑ | ----- | .33 [8] | 1.81 [46] | .34 [9] | ↑ | ↑ | .36 [9] | ↑ | ↑ | ↑ | ↑ | ↑ | ↑ | ↑ | ↑ | | | ↑ | | |
| YAV25LTC516FX45 | | | | | | | | 1.20 [30] | | | | | | | | | | | | | | | | .34 [9] | |
| YAV25LTC516FX90 | | | | | | | | 1.31 [33] | | | | | | | | | | | | | | | | | |
| YAV25LTC38FX | ↑ | ↑ | ↑ | ↑ | ↑ | ----- | .40 [10] | 1.94 [49] | .41 [10] | ↑ | ↑ | .42 [11] | ↑ | ↑ | ↑ | ↑ | ↑ | ↑ | ↑ | ↑ | | | ↑ | | |
| YAV25LTC38FX45 | | | | | | | | 1.20 [30] | | | | | | | | | | | | | | | | .41 [10] | |
| YAV25LTC38FX90 | | | | | | | | 1.31 [33] | | | | | | | | | | | | | | | | | |
| YAV25LTC12FX | ↓ | ↓ | ↓ | ↓ | ↓ | ----- | .53 [13] | 2.19 [56] | .53 [13] | ↓ | ↓ | .55 [14] | ↓ | ↓ | ↓ | ↓ | ↓ | ↓ | ↓ | ↓ | | | ↓ | | |
| YAV25LTC12FX45 | | | | | | | | 1.20 [30] | | | | | | | | | | | | | | | | .53 [13] | |
| YAV25LTC12FX90 | | | | | | | | 1.31 [33] | | | | | | | | | | | | | | | | | |
| YAV25LTC12FX90 | 1/0 WELD 275/24 | 1/0 AWG | 100 | .69 [18] | .83 [21] | 1.31 [33] | .53 [13] | 1.47 [37] | .56 [14] | .12 [3] | .27 [7] | 12 OR 348 | PINK | W25RT X25RT W25VT (2) | X25RT W25VT (2) | W25RT X25RT W25VT (2) | U25RT UR4204WE (1) | U25RT UR4204WE (1) | U25RT UR4204WE (1) | | | | 11/16" | | |

SEE SHEET 1 OF 18 FOR NOTES

| | | | |
|---|--|------------------------------|------------------------------|
| TO ORDER BURNDY® PRODUCTS CALL | | HYLUG™ | |
| UNITED STATES 1-800-346-4175 (LONDONDERRY, NH) | | ITEM NO: N/A | CAT. NO: YAV25L-TC-FX- |
| CANADA: 1-800-361-6975 (QUEBEC) 1-800-387-6487 (ALL OTHER PROVINCES) | | DRAWN BY: D FILLION 11/30/92 | CHECKER: K HENRY 12/02/92 |
| FOR PRODUCT INFO: http://www.burndy.com | | DSN APPVL: C PALAGI 12/04/92 | MFG APPVL: -- |
| | | QA APPVL: A LLOYD 12/07/92 | MKT APPVL: T NELSON 12/04/92 |
| | | PROD FAM: CM&R Compression | DRAWING NO: SE208001 |
| | | PROJECT #: -- | SCALE: 1:1 |
| | | DOCUMENT TYPE: Sales | REV: G |
| | | REL LEVEL: Released | SHEET 7 OF 18 |

8

7

6

5

4

3

2

1

REV: PE0200



DRAWING NO.
SE208001

7

6

5

4

3

2

1

| REV | DATE | DESCRIPTION | ECO | BY | CHK. |
|-----|------------------------|---------------------|-------|----|------|
| G | 09/07/2012 16:12:00 PM | COMBINED THE SHEETS | 28713 | BD | MB |

| CONDUCTOR | | | BOLT SIZE | CATALOG NO. | FIG. NO. | DIMENSIONS | | | | | | | BURNDY® INSTALLATION TOOLING (# CRIMPS) | | | | | | | | | | | | | | |
|-----------------|------------|------|-----------|-----------------|----------|------------|-----------|-----------|-----------|----------|----------|---------|---|---------|-----------|-----------------------|--------------------|-----------------------|----------------------|-----------------------|--------------------|---|-------------------|--------------------|--------------------|--|--|
| FLEX | CODE (AWG) | NAVY | | | | B | C | H | K | L | N | O.D. | T REF. | Z MIN. | DIE INDEX | COLOR CODE | MECHANICAL RATCHET | | HYDRAULIC | | | DIELESS (# CRIMPS) | WIRE STRIP LENGTH | | | | |
| | | | | | | | | | | | | | | | | | MD7-34R MD6 | OUR840 | BCT500 Y500CT PAT600 | Y750, Y35 Y39 PAT750 | Y46 PAT46 | | | Y45 PAT46 | | | |
| 2/0 WELD 325/24 | 2/0 AWG | 125 | #10 [M5] | YAV26LTC10FX | 1 | .81 [21] | .93 [24] | ----- | 1.80 [46] | | .63 [16] | .13 [3] | | 13 | BLACK | W26RT X26RT W26VT (2) | X26RT W26VT (2) | W26RT X26RT W26VT (2) | U26RT UR5184WE (1) | U26RT UR5184WE (1) | U26RT UR5184WE (1) | MECHANICAL: MY29-11 (1) HYDRAULIC: Y644M (1) PAT644 (1) Y81KFT (1) PAT81KFT (1) Y4PC834 (1) PAT4PC834 (1) | 13/16" | | | | |
| | | | | YAV26LTC10FX45 | 2 | | 1.38 [35] | .21 [5] | 1.73 [44] | .25 [6] | | | | .27 [7] | | | | | | | | | | | | | |
| | | | | YAV26LTC10FX90 | 3 | | 1.49 [38] | | .94 [24] | | | | | | | | | | | | | | | | | | |
| | | | 1/4 [M6] | YAV26LTC14FX | 1 | | ----- | 1.92 [49] | | | | | | | | | | | | | | | | | | | |
| | | | | YAV26LTC14FX45 | 2 | | 1.38 [35] | .27 [7] | 1.85 [47] | .31 [8] | | | | | | | | | | | | | | | | | |
| | | | | YAV26LTC14FX90 | 3 | | 1.49 [38] | | 1.07 [27] | | | | | | | | | | | | | | | | | | |
| | | | 5/16 [M8] | YAV26LTC516FX | 1 | | ----- | 1.98 [50] | | | | | | | | | | | | | | | | | | | |
| | | | | YAV26LTC516FX45 | 2 | | 1.38 [35] | .33 [8] | 1.92 [49] | .34 [9] | | | | | | | | | | | | | | | | | |
| | | | | YAV26LTC516FX90 | 3 | | 1.49 [38] | | 1.13 [29] | | | | | | | | | | | | | | | | | | |
| | | | 3/8 [M10] | YAV26LTC38FX | 1 | | ----- | 2.11 [54] | | | | | | | | | | | | | | | | | | | |
| | | | | YAV26LTC38FX45 | 2 | | 1.38 [35] | .40 [10] | 2.04 [52] | .41 [10] | | | | | | | | | | | | | | | | | |
| | | | | YAV26LTC38FX90 | 3 | | 1.49 [38] | | 1.26 [32] | | | | | | | | | | | | | | | | | | |
| | | | 1/2 [M12] | YAV26LTC12FX | 1 | | ----- | 2.36 [60] | | | | | | | | | | | | | | | | | | | |
| | | | | YAV26LTC12FX45 | 2 | | 1.38 [35] | .53 [13] | 2.29 [58] | .53 [13] | | | | | | | | | | | | | | | | | |
| | | | | YAV26LTC12FX90 | 3 | | 1.49 [38] | | 1.51 [38] | | | | | | | | | | | | | | | | | | |
| | | | 5/8 [M16] | YAV26LTC58FX | 1 | | ----- | 2.61 [66] | | | | | | | | | | | | | | | | | | | |
| | | | | YAV26LTC58FX45 | 2 | | 1.38 [35] | .69 [17] | 2.54 [65] | .66 [17] | | | | | | | | | | | | | | | | | |
| | | | | YAV26LTC58FX90 | 3 | | .93 [24] | 1.49 [38] | 1.76 [45] | | | | | | .13 [3] | | | | | | | | | | | | |
| | | | 3/4 [M20] | YAV26LTC34FX | 1 | | ----- | 2.89 [73] | | | | | | | | | | | | | | | | | | | |
| | | | | YAV26LTC34FX45 | 2 | | 1.10 [28] | 1.44 [37] | 2.75 [70] | .75 [19] | | | | | .11 [3] | | | W26RT X26RT W26VT (2) | X26RT W26VT (2) | W26RT X26RT W26VT (2) | U26RT UR5184WE (1) | | | U26RT UR5184WE (1) | U26RT UR5184WE (1) | | |
| | | | | YAV26LTC34FX90 | 3 | | .81 [21] | 1.55 [39] | 1.93 [49] | | | | | | .63 [16] | | | | | | | | | | | | |

SEE SHEET 1 OF 18 FOR NOTES

| | | | |
|--|--|--|--|
| TO ORDER BURNDY® PRODUCTS CALL UNITED STATES 1-800-346-4175 (LONDONDERRY, NH) CANADA: 1-800-361-6975 (QUEBEC) 1-800-387-6487 (ALL OTHER PROVINCES) FOR PRODUCT INFO: http://www.burndy.com | | HYLUG™ ITEM NO: N/A CAT. NO: YAV26L-TC-FX- DRAWN BY: D FILLION 11/30/92 CHECKER: K HENRY 12/02/92 DSN APPVL: C PALAGI 12/04/92 MFG APPVL: -- -- QA APPVL: A LLOYD 12/07/92 MKT APPVL: T NELSON 12/04/92 PROD FAM: CM&R Compression PROJECT #: -- SIZE D DOCUMENT TYPE: Sales REL LEVEL: Released | |
| SCALE: 1:1 DRAWING NO: SE208001 SHEET 8 OF 18 | | REV: G | |

REV: PE0200

8

7

6

5



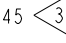
4

3

2

1

| REV | DATE | DESCRIPTION | ECO | BY | C'H'K. |
|-----|------------------------|---------------------|-------|----|--------|
| G | 09/07/2012 16:12:00 PM | COMBINED THE SHEETS | 28713 | BD | MB |

| CONDUCTOR | | | BOLT SIZE | CATALOG NO. | FIG. NO. | DIMENSIONS | | | | | | | BURNDY® INSTALLATION TOOLING (# CRIMPS) | | | | | | | | | | | | | | | | | | | | | |
|-----------------|------------|--|-----------|-------------|----------|------------|----------|---------|----------|---------|---------|------|---|-----------|-----------|------------|--------------------|-----------|----------------------|---|---|--------------------|-------------------|---|----|--------|-----------|-----------|-----------|-----------|-----------|-----------|---|----|
| FLEX | CODE (AWG) | NAVY  | | | | B | C | H | K | L | N | O.D. | T REF. | Z MIN. | DIE INDEX | COLOR CODE | MECHANICAL RATCHET | | HYDRAULIC | | | DIELESS (# CRIMPS) | WIRE STRIP LENGTH | | | | | | | | | | | |
| | | | | | | | | | | | | | | | | | MD7-34R MD6 | OUR840 | BCT500 Y500CT PAT600 | Y750, Y35 Y39, PAT750 | Y46 PAT46  | | | Y45  | | | | | | | | | | |
| 3/0 WELD 450/24 | 3/0 AWG | 150 | ↑ | ↑ | ----- | .21 [5] | .98 [25] | .31 [8] | .70 [18] | .14 [4] | .27 [7] | 14 | ORANGE | W27RT (2) | X27RT (3) | W27RT (2) | U27RT (1) | U27RT (1) | U27RT (1) | MECHANICAL: MY29-11 (1) HYDRAULIC: Y644M (1) PAT644 (1) Y81KFT (2) PAT81KFT (2) Y4PC834 (2) PAT4PC834 (2) | 1" | | | | | | | | | | | | | |
| ↑ | ↑ | ↑ | | | | | | | | | | | | ↑ | ↑ | ↑ | ↑ | ↑ | ↑ | | | ↑ | ↑ | ↑ | ↑ | ↑ | ↑ | ↑ | ↑ | ↑ | ↑ | ↑ | | |
| ↑ | ↑ | ↑ | | | | | | | | | | | | ↑ | ↑ | ↑ | ↑ | ↑ | ↑ | | | ↑ | ↑ | ↑ | ↑ | ↑ | ↑ | ↑ | ↑ | ↑ | ↑ | ↑ | ↑ | |
| ↑ | ↑ | ↑ | | | | | | | | | | | | ↑ | ↑ | ↑ | ↑ | ↑ | ↑ | | | ↑ | ↑ | ↑ | ↑ | ↑ | ↑ | ↑ | ↑ | ↑ | ↑ | ↑ | ↑ | |
| ↑ | ↑ | ↑ | | | | | | | | | | | | ↑ | ↑ | ↑ | ↑ | ↑ | ↑ | | | ↑ | ↑ | ↑ | ↑ | ↑ | ↑ | ↑ | ↑ | ↑ | ↑ | ↑ | ↑ | |
| ↑ | ↑ | ↑ | | | | | | | | | | | | ↑ | ↑ | ↑ | ↑ | ↑ | ↑ | | | ↑ | ↑ | ↑ | ↑ | ↑ | ↑ | ↑ | ↑ | ↑ | ↑ | ↑ | ↑ | ↑ |
| ↑ | ↑ | ↑ | | | | | | | | | | | | ↑ | ↑ | ↑ | ↑ | ↑ | ↑ | | | ↑ | ↑ | ↑ | ↑ | ↑ | ↑ | ↑ | ↑ | ↑ | ↑ | ↑ | ↑ | ↑ |
| ↑ | ↑ | ↑ | | | | | | | | | | | | ↑ | ↑ | ↑ | ↑ | ↑ | ↑ | | | ↑ | ↑ | ↑ | ↑ | ↑ | ↑ | ↑ | ↑ | ↑ | ↑ | ↑ | ↑ | ↑ |
| ↑ | ↑ | ↑ | | | | | | | | | | | | ↑ | ↑ | ↑ | ↑ | ↑ | ↑ | | | ↑ | ↑ | ↑ | ↑ | ↑ | ↑ | ↑ | ↑ | ↑ | ↑ | ↑ | ↑ | ↑ |
| ↑ | ↑ | ↑ | | | | | | | | | | | | ↑ | ↑ | ↑ | ↑ | ↑ | ↑ | | | ↑ | ↑ | ↑ | ↑ | ↑ | ↑ | ↑ | ↑ | ↑ | ↑ | ↑ | ↑ | ↑ |
| ↑ | ↑ | ↑ | | | | | | | | | | | | ↑ | ↑ | ↑ | ↑ | ↑ | ↑ | | | ↑ | ↑ | ↑ | ↑ | ↑ | ↑ | ↑ | ↑ | ↑ | ↑ | ↑ | ↑ | ↑ |
| ↑ | ↑ | ↑ | | | | | | | | | | | | ↑ | ↑ | ↑ | ↑ | ↑ | ↑ | | | ↑ | ↑ | ↑ | ↑ | ↑ | ↑ | ↑ | ↑ | ↑ | ↑ | ↑ | ↑ | ↑ |
| ↑ | ↑ | ↑ | | | | | | | | | | | | ↑ | ↑ | ↑ | ↑ | ↑ | ↑ | | | ↑ | ↑ | ↑ | ↑ | ↑ | ↑ | ↑ | ↑ | ↑ | ↑ | ↑ | ↑ | ↑ |
| ↑ | ↑ | ↑ | | | | | | | | | | | | ↑ | ↑ | ↑ | ↑ | ↑ | ↑ | | | ↑ | ↑ | ↑ | ↑ | ↑ | ↑ | ↑ | ↑ | ↑ | ↑ | ↑ | ↑ | ↑ |
| ↑ | ↑ | ↑ | | | | | | | | | | | | ↑ | ↑ | ↑ | ↑ | ↑ | ↑ | | | ↑ | ↑ | ↑ | ↑ | ↑ | ↑ | ↑ | ↑ | ↑ | ↑ | ↑ | ↑ | ↑ |
| 3/0 WELD 450/24 | 3/0 AWG | 150 | | | | | | | | | | | | 1.00 [25] | 1.03 [26] | 1.74 [44] | .40 [10] | 1.29 [33] | .41 [10] | | | .70 [18] | .14 [4] | .55 [14] | 14 | ORANGE | W27RT (2) | X27RT (3) | W27RT (2) | U27RT (1) | U27RT (1) | U27RT (1) | | 1" |

SEE SHEET 1 OF 18 FOR NOTES

| | | | |
|---|--|------------------------------|--|
| TO ORDER BURNDY® PRODUCTS CALL | | HYLUG™ | |
| UNITED STATES 1-800-346-4175 (LONDONDERRY, NH) | | ITEM NO: N/A | |
| CANADA: 1-800-361-6975 (QUEBEC) 1-800-387-6487 (ALL OTHER PROVINCES) | | CAT. NO: YAV27L-TC-FX- | |
| FOR PRODUCT INFO: http://www.burndy.com | | DRAWN BY: D FILLION 11/30/92 | |
| | | CHECKER: K HENRY 12/02/92 | |
| | | DSN APPVL: C PALAGI 12/04/92 | |
| | | MFG APPVL: -- | |
| | | QA APPVL: A LLOYD 12/07/92 | |
| | | MKT APPVL: T NELSON 12/04/92 | |
| | | SCALE: 1:1 | |
| | | PROJ. #: -- | |
| | | SIZE: D | |
| | | DRAWING NO: SE208001 | |
| | | SHEET 9 OF 18 | |
| | | REV: G | |

REV: PE0200

DRAWING NO.
SE208001

7

6

5

4

3

2

1

| REV | DATE | DESCRIPTION | ECO | BY | C'H'K. |
|-----|------------------------|---------------------|-------|----|--------|
| G | 09/07/2012 16:12:00 PM | COMBINED THE SHEETS | 28713 | BD | MB |

| CONDUCTOR | | | BOLT SIZE | CATALOG NO. | FIG. NO. | DIMENSIONS | | | | | | | BURNDY® INSTALLATION TOOLING (# CRIMPS) | | | | | | | | | | | | | | | | | | | | | | |
|---------------------------------|------------|-------|-----------|--------------|--------------|--------------|------------|--------------|------------|-------------|------------|------------|---|--------|--------------|--------------|--------------------|--------------|----------------------|-----------------------|---|--------------------|-------------------|--------------|--------------|--------------|--------------|--------------|--------------|--------------|--------------|--------------|-------------|--------------|-------------|
| FLEX | CODE (AWG) | NAVY | | | | B | C | H | K | L | N | O.D. | T REF. | Z MIN. | DIE INDEX | COLOR CODE | MECHANICAL RATCHET | | HYDRAULIC | | | DIELESS (# CRIMPS) | WIRE STRIP LENGTH | | | | | | | | | | | | |
| | | | | | | | | | | | | | | | | | MD7-34R MD6 | OUR840 | BCT500 Y500CT PAT600 | Y750, Y35 Y39, PAT750 | Y46 PAT46 | | | Y45 | | | | | | | | | | | |
| 250 FLEX CLASS G: 259 STR | ----- | ----- | 5/16 | 1.03 [26] | 1.20 [30] | ----- | .33 [8] | 2.31 [59] | .34 [9] | .81 [21] | .16 [4] | .36 [9] | 16 | YELLOW | W29VT (2) | X29VT (2) | W29VT (2) | U29RT (1) | U29RT (1) | U29RT (1) | HYDRAULIC: Y644M (1) PAT644 (1) Y81KFT (2) PAT81KFT (2) Y4PC834 (2) PAT4PC834 (2) | 1-1/16" | | | | | | | | | | | | | |
| | | | | | | 1.75 [44] | | 2.22 [56] | | | | | | | 1.89 [48] | 1.24 [31] | 1.75 [44] | 2.35 [60] | .41 [10] | 1.89 [48] | | | 1.36 [35] | 1.75 [44] | .53 [13] | 2.60 [66] | .53 [13] | 1.89 [48] | 1.61 [41] | 2.94 [75] | .66 [17] | 3.04 [77] | .75 [19] | | |
| | | | | | | 1.89 [48] | | 1.24 [31] | | | | | | | 1.75 [44] | .40 [10] | 2.35 [60] | .41 [10] | 1.89 [48] | 1.36 [35] | | | 1.75 [44] | .53 [13] | 2.60 [66] | .53 [13] | 1.89 [48] | 1.61 [41] | 2.94 [75] | .66 [17] | 3.04 [77] | .75 [19] | | | |
| 250 FLEX CLASS G: 259 STR | ----- | ----- | 3/8 | 1.03 [26] | 1.20 [30] | ----- | .33 [8] | 2.44 [62] | .34 [9] | .81 [21] | .16 [4] | .36 [9] | 16 | YELLOW | W29VT (2) | X29VT (2) | W29VT (2) | U29RT (1) | U29RT (1) | U29RT (1) | HYDRAULIC: Y644M (1) PAT644 (1) Y81KFT (2) PAT81KFT (2) Y4PC834 (2) PAT4PC834 (2) | 1-1/16" | | | | | | | | | | | | | |
| | | | | | | 1.75 [44] | | 2.35 [60] | | | | | | | .41 [10] | 1.89 [48] | 1.36 [35] | 1.75 [44] | .40 [10] | 2.35 [60] | | | .41 [10] | 1.89 [48] | 1.36 [35] | 1.75 [44] | .53 [13] | 2.60 [66] | .53 [13] | 1.89 [48] | 1.61 [41] | 2.94 [75] | .66 [17] | 3.04 [77] | .75 [19] |
| | | | | | | 1.89 [48] | | 1.24 [31] | | | | | | | 1.75 [44] | .40 [10] | 2.35 [60] | .41 [10] | 1.89 [48] | 1.36 [35] | | | 1.75 [44] | .53 [13] | 2.60 [66] | .53 [13] | 1.89 [48] | 1.61 [41] | 2.94 [75] | .66 [17] | 3.04 [77] | .75 [19] | | | |
| 250 FLEX CLASS G: 259 STR | ----- | ----- | 1/2 | 1.03 [26] | 1.20 [30] | ----- | .33 [8] | 2.69 [68] | .34 [9] | .81 [21] | .16 [4] | .36 [9] | 16 | YELLOW | W29VT (2) | X29VT (2) | W29VT (2) | U29RT (1) | U29RT (1) | U29RT (1) | HYDRAULIC: Y644M (1) PAT644 (1) Y81KFT (2) PAT81KFT (2) Y4PC834 (2) PAT4PC834 (2) | 1-1/16" | | | | | | | | | | | | | |
| | | | | | | 1.75 [44] | | 2.60 [66] | | | | | | | .53 [13] | 1.89 [48] | 1.36 [35] | 1.75 [44] | .53 [13] | 2.60 [66] | | | .53 [13] | 1.89 [48] | 1.61 [41] | 2.94 [75] | .66 [17] | 3.04 [77] | .75 [19] | | | | | | |
| | | | | | | 1.89 [48] | | 1.24 [31] | | | | | | | 1.75 [44] | .40 [10] | 2.35 [60] | .41 [10] | 1.89 [48] | 1.36 [35] | | | 1.75 [44] | .53 [13] | 2.60 [66] | .53 [13] | 1.89 [48] | 1.61 [41] | 2.94 [75] | .66 [17] | 3.04 [77] | .75 [19] | | | |
| 250 FLEX CLASS G: 259 STR | ----- | ----- | 5/8 | 1.03 [26] | 1.20 [30] | ----- | .33 [8] | 2.94 [75] | .34 [9] | .81 [21] | .16 [4] | .36 [9] | 16 | YELLOW | W29VT (2) | X29VT (2) | W29VT (2) | U29RT (1) | U29RT (1) | U29RT (1) | HYDRAULIC: Y644M (1) PAT644 (1) Y81KFT (2) PAT81KFT (2) Y4PC834 (2) PAT4PC834 (2) | 1-1/16" | | | | | | | | | | | | | |
| | | | | | | 1.75 [44] | | 2.85 [72] | | | | | | | .69 [17] | 1.89 [48] | 1.36 [35] | 1.75 [44] | .69 [17] | 2.85 [72] | | | .66 [17] | 1.89 [48] | 1.61 [41] | 2.94 [75] | .66 [17] | 3.04 [77] | .75 [19] | | | | | | |
| | | | | | | 1.89 [48] | | 1.24 [31] | | | | | | | 1.75 [44] | .40 [10] | 2.35 [60] | .41 [10] | 1.89 [48] | 1.36 [35] | | | 1.75 [44] | .53 [13] | 2.60 [66] | .53 [13] | 1.89 [48] | 1.61 [41] | 2.94 [75] | .66 [17] | 3.04 [77] | .75 [19] | | | |
| 250 FLEX CLASS G: 259 STR | ----- | ----- | 3/4 | 1.03 [26] | 1.20 [30] | ----- | .33 [8] | 3.12 [79] | .34 [9] | .81 [21] | .16 [4] | .36 [9] | 16 | YELLOW | W29VT (2) | X29VT (2) | W29VT (2) | U29RT (1) | U29RT (1) | U29RT (1) | HYDRAULIC: Y644M (1) PAT644 (1) Y81KFT (2) PAT81KFT (2) Y4PC834 (2) PAT4PC834 (2) | 1-1/16" | | | | | | | | | | | | | |
| | | | | | | 1.75 [44] | | 3.04 [77] | | | | | | | .81 [21] | 1.89 [48] | 1.36 [35] | 1.75 [44] | .81 [21] | 3.04 [77] | | | .75 [19] | 1.89 [48] | 1.61 [41] | 2.94 [75] | .66 [17] | 3.04 [77] | .75 [19] | | | | | | |
| | | | | | | 1.89 [48] | | 1.24 [31] | | | | | | | 1.75 [44] | .40 [10] | 2.35 [60] | .41 [10] | 1.89 [48] | 1.36 [35] | | | 1.75 [44] | .53 [13] | 2.60 [66] | .53 [13] | 1.89 [48] | 1.61 [41] | 2.94 [75] | .66 [17] | 3.04 [77] | .75 [19] | | | |

REV: PE0200

SEE SHEET 1 OF 18 FOR NOTES

| | | | |
|---|--|------------------------------|--|
| TO ORDER BURNDY® PRODUCTS CALL | | HYLUG™ | |
| UNITED STATES 1-800-346-4175 (LONDONDERRY, NH) | | ITEM NO: N/A | |
| CANADA: 1-800-361-6975 (QUEBEC) 1-800-387-6487 (ALL OTHER PROVINCES) | | CAT. NO: YA30L-TC-FX- | |
| FOR PRODUCT INFO: http://www.burndy.com | | DRAWN BY: D FILLION 11/30/92 | |
| | | CHECKER: K HENRY 12/02/92 | |
| | | DSN APPVL: C PALAGI 12/04/92 | |
| | | MFG APPVL: -- | |
| | | QA APPVL: A LLOYD 12/07/92 | |
| | | MKT APPVL: T NELSON 12/04/92 | |
| | | SCALE: 1:1 | |
| | | PROD FAM: CM&R Compression | |
| | | DRAWING NO | |
| | | REV | |
| | | PROJECT #: -- | |
| | | SIZE | |
| | | DOCUMENT TYPE: Sales | |
| | | REL LEVEL: Released | |
| | | D | |
| | | SE208001 | |
| | | SHEET 11 OF 18 | |
| | | G | |

8

7

6

5

4

3

2

1

DRAWING NO.
SE208001

7

6

5

4

3

2

1

| REV | DATE | DESCRIPTION | ECO | BY | CHK |
|-----|------------------------|---------------------|-------|----|-----|
| G | 09/07/2012 16:12:00 PM | COMBINED THE SHEETS | 28713 | BD | MB |

| CONDUCTOR | | | BOLT SIZE | CATALOG NO. | FIG. NO. | DIMENSIONS | | | | | | | BURNDY® INSTALLATION TOOLING (# CRIMPS) | | | | | | | | | | | | | | | | | |
|-------------------------------------|------------|-----------|-----------|----------------|----------|------------|---------------|----------|-----------|-----------|----------|-----------|---|-----------|-------------|------------|----------------------|-----------------------|-----------|-----------|-----------|--------------------|---|-----------|-----------|-----------|-----------|-----------|-----------|--------|
| FLEX | CODE (AWG) | NAVY | | | | B | C | H | K | L | N | O.D. | T REF. | Z MIN. | DIE INDEX | COLOR CODE | MECHANICAL RATCHET | | HYDRAULIC | | | DIELESS (# CRIMPS) | WIRE STRIP LENGTH | | | | | | | |
| | | 5 | | | | | | | | | | | | | MD7-34R MD6 | OUR840 | BCT500 Y500CT PAT600 | Y750, Y35 Y39, PAT750 | Y46 PAT46 | Y45 | | | | | | | | | | |
| 250 FLEX 637/24 CLASS I, K, M | ----- | ----- | 1/4 | YA31LTC14FX | 1 | 1.06 [27] | 1.29 [33] | ----- | | 2.31 [59] | | .88 [22] | .18 [4] | | 17 OR 298 | WHITE | W30VT (2) | X30VT (2) | W30VT (2) | U30RT (2) | U30RT (2) | U30RT (2) | HYDRAULIC: Y644M (1) PAT644 (1) Y81KFT (2) PAT81KFT (2) Y4PC834 (2) PAT4PC834 (2) | 1-1/8" | | | | | | |
| | | | | YA31LTC14FX45 | 2 | | 1.85 [47] | .27 [7] | 2.23 [57] | .31 [8] | | | | | | | | | | | | | | | | | | | | |
| | | | | YA31LTC14FX90 | 3 | | 1.98 [50] | | 1.19 [30] | | | | | | | | | | | | | | | | | | | | | |
| | | | | YA31LTC516FX | 1 | | ----- | | 2.37 [60] | | | | | | | | | | | | | | | | | | | | | |
| | | | | YA31LTC516FX45 | 2 | | 1.85 [47] | .33 [8] | 2.30 [58] | .34 [9] | | | | | | | | | | | | | | | | | | | | |
| | | | | YA31LTC516FX90 | 3 | | 1.98 [50] | | 1.27 [32] | | | | | | | | | | | | | | | | | | | | | |
| | | | 3/8 | ----- | ----- | 5/16 | YA31LTC38FX | 1 | | ----- | | 2.50 [64] | | | | | | | | | | | | | | | | | | |
| | | | | | | | YA31LTC38FX45 | 2 | | 1.85 [47] | .40 [10] | 2.42 [61] | .41 [10] | | | | | | | | | | | | | | | | | |
| | | | | | | | YA31LTC38FX90 | 3 | | 1.98 [50] | | 1.40 [36] | | | | | | | | | | | | | | | | | | |
| | | | 1/2 | ----- | ----- | 3/8 | YA31LNT12FX | 1 | | ----- | | 2.75 [70] | | | | | | | | | | | | | | | | | | |
| | | | | | | | YA31LNT12FX45 | 2 | | 1.85 [47] | .53 [13] | 2.67 [68] | .53 [13] | | | | | | | | | | | | | | | | | |
| | | | | | | | YA31LNT12FX90 | 3 | | 1.98 [50] | | 1.65 [42] | | | | | | | | | | | | | | | | | | |
| 1/2 | ----- | ----- | 1/2 | YA31LTC12FX | 1 | | ----- | | 2.75 [70] | | | | | | | | | | | | | | | | | | | | | |
| | | | | YA31LTC12FX45 | 2 | | 1.85 [47] | .53 [13] | 2.67 [68] | .53 [13] | | | | | | | | | | | | | | | | | | | | |
| | | | | YA31LTC12FX90 | 3 | | 1.98 [50] | | 1.65 [42] | | | | | | | | | | | | | | | | | | | | | |
| 5/8 | ----- | ----- | 1/2 | YA31LTC58FX | 1 | | ----- | | 3.00 [76] | | | | | | | | | | | | | | | | | | | | | |
| | | | | YA31LTC58FX45 | 2 | | 1.85 [47] | .69 [17] | 2.92 [74] | .66 [17] | | | | | | | | | | | | | | | | | | | | |
| | | | | YA31LTC58FX90 | 3 | | 1.98 [50] | | 1.90 [48] | | | | | | | | | | | | | | | | | | | | | |
| 3/4 | ----- | ----- | 5/8 | YA31LTC34FX | 1 | | ----- | | 3.19 [81] | | | | | | | | | | | | | | | | | | | | | |
| | | | | YA31LTC34FX45 | 2 | | 1.85 [47] | .81 [21] | 3.11 [79] | .75 [19] | | | | | | | | | | | | | | | | | | | | |
| | | | | YA31LTC34FX90 | 3 | | 1.98 [50] | | 2.09 [53] | | | | | | | | | | | | | | | | | | | | | |
| 250 FLEX 637/24 CLASS I, K, M | ----- | ----- | 3/4 | YA31LTC12FX | 1 | 1.29 [33] | ----- | | 2.75 [70] | | | | | | | | | | | | | | | | | | | | | |
| | | | | YA31LTC12FX45 | 2 | | 1.85 [47] | .53 [13] | 2.67 [68] | .53 [13] | | | | | | | | | | | | | | | | | | | | |
| | | | | YA31LTC12FX90 | 3 | | 1.98 [50] | | 1.65 [42] | | | | | | | | | | | | | | | | | | | | | |
| 1.06 [27] | 1.29 [33] | 1.85 [47] | .27 [7] | 2.23 [57] | .31 [8] | .88 [22] | .18 [4] | .33 [8] | .36 [9] | .42 [11] | .55 [14] | .67 [17] | .67 [17] | 17 OR 298 | WHITE | W30VT (2) | X30VT (2) | W30VT (2) | U30RT (2) | U30RT (2) | U30RT (2) | 17 OR 298 | WHITE | W30VT (2) | X30VT (2) | W30VT (2) | U30RT (2) | U30RT (2) | U30RT (2) | 1-1/8" |

A

A

SEE SHEET 1 OF 18 FOR NOTES

| | | | |
|---|--|------------------------------|--|
| TO ORDER BURNDY® PRODUCTS CALL | | HYLUG™ | |
| UNITED STATES 1-800-346-4175 (LONDONDERRY, NH) | | ITEM NO: N/A | |
| CANADA: 1-800-361-6975 (QUEBEC) 1-800-387-6487 (ALL OTHER PROVINCES) | | CAT. NO: YA31L-TC-FX- | |
| FOR PRODUCT INFO: http://www.burndy.com | | DRAWN BY: D FILLION 12/01/92 | |
| | | CHECKER: K HENRY 12/02/92 | |
| | | DSN APPVL: C PALAGI 12/04/92 | |
| | | MFG APPVL: -- | |
| | | QA APPVL: A LLOYD 12/07/92 | |
| | | MKT APPVL: T NELSON 12/04/92 | |
| | | PROD FAM: CM&R Compression | |
| | | DRAWING NO | |
| | | REV | |
| | | SCALE: 1:1 | |
| | | PROJECT #: -- | |
| | | SIZE | |
| | | DOCUMENT TYPE: Sales | |
| | | REL LEVEL: Released | |
| | | D | |
| | | SE208001 | |
| | | SHEET 12 OF 18 | |
| | | G | |

8

7

6

5

4

3

2

1

REV: PE0200

DRAWING NO.
SE208001

7

6

5

4

3

2

1

| REV | DATE | DESCRIPTION | ECO | BY | C'H'K. |
|-----|------------------------|---------------------|-------|----|--------|
| G | 09/07/2012 16:12:00 PM | COMBINED THE SHEETS | 28713 | BD | MB |

| D | CATALOG NO. | FIG. NO. | CONDUCTOR | | | BOLT SIZE | DIMENSIONS | | | | | | | BURNDY® INSTALLATION TOOLING (# CRIMPS) | | | | | | | | | | D | | | | | | | | | | | | | | | | | | | | | | |
|---|----------------|----------|---|------------|-------|--------------|--------------|--------------|--------------|--------------|--------------|-------------|-------------|---|-------------|-----------------|------------|--------------------|--------------|----------------------|-----------------------|--------------|--------------|---|--------------------|-------------------|--------------|--------------|--------------|--------------|--------------|--------------|--------------|-------------|-------------|--|--|--|--|--|--|--|--|--|--|--|
| | | | FLEX | CODE (AWG) | NAVY | | B | C | H | K DIA. | L | N | O.D. | T REF. | Z MIN. | DIE INDEX | COLOR CODE | MECHANICAL RATCHET | | HYDRAULIC | | | | | DIELESS (# CRIMPS) | WIRE STRIP LENGTH | | | | | | | | | | | | | | | | | | | | |
| | | | | | | | | | | | | | | | | | | MD7-34R MD6 | OUR840 | BCT500 Y500CT PAT600 | Y750, Y35 Y39, PAT750 | Y46 PAT46 | | | | | Y45 | | | | | | | | | | | | | | | | | | | |
| | YA32LNT516FX | 1 | 313.1 Kcmil 775/24 (300 Kcmil FLEX) | ----- | ----- | 5/16 [M8] | 1.19 [30] | .96 [24] | ----- | .33 [8] | 2.65 [65] | .34 [9] | .95 [24] | .19 [5] | .36 [9] | 18 OR 324 | RED | W31VT (2) | X31VT (2) | W31VT (2) | U31RT (2) | U31RT (2) | U31RT (2) | | 1-1/4" | | | | | | | | | | | | | | | | | | | | | |
| | YA32LNT516FX45 | 2 | | | | | 2.03 [52] | 2.46 [62] | 2.68 [68] | | 2.03 [52] | | | | | | | 2.58 [66] | 2.83 [72] | .53 [13] | 2.83 [72] | .53 [13] | .55 [14] | | | | | | | | | | | | | | | | | | | | | | | |
| | YA32LNT516FX90 | 3 | | | | | 2.19 [56] | 1.32 [34] | 2.68 [68] | | 2.19 [56] | | | | | | | 1.45 [37] | 2.68 [68] | .41 [10] | 1.45 [37] | .41 [10] | .42 [11] | | | | | | | | | | | | | | | | | | | | | | | |
| | YA32LNT38FX | 1 | | | | 3/8 [M10] | .96 [24] | 1.40 [36] | .41 [10] | .41 [10] | 2.68 [68] | .41 [10] | .42 [11] | | | | | | | | | | | | | | | | | | | | | | | | | | | | | | | | | |
| | YA32LNT38FX45 | 2 | | | | | | | | | | | | | | | | | | | | | | | | 2.03 [52] | 2.58 [66] | 2.68 [68] | 2.03 [52] | 2.58 [66] | 2.83 [72] | .53 [13] | 2.83 [72] | .53 [13] | .55 [14] | | | | | | | | | | | |
| | YA32LNT38FX90 | 3 | | | | | | | | | | | | | | | | | | | | | | | | 2.19 [56] | 1.45 [37] | 2.68 [68] | 2.19 [56] | 1.45 [37] | 2.68 [68] | .41 [10] | 1.45 [37] | .41 [10] | .42 [11] | | | | | | | | | | | |
| | YA32LTC38FX | 1 | | | | 1/2 [12] | | | | 2.93 [74] | | | | | | | | | | | | | | | | | | | | | | | | | | | | | | | | | | | | |
| | YA32LTC38FX45 | 2 | | | | | | | | | | | | | | | | | | | | | | | 2.03 [52] | 2.58 [66] | 2.93 [74] | 2.03 [52] | 2.58 [66] | 2.83 [72] | .53 [13] | 2.83 [72] | .53 [13] | .55 [14] | | | | | | | | | | | | |
| | YA32LTC38FX90 | 3 | | | | | | | | | | | | | | | | | | | | | | | 2.19 [56] | 1.45 [37] | 2.93 [74] | 2.19 [56] | 1.45 [37] | 2.93 [74] | .41 [10] | 1.45 [37] | .41 [10] | .42 [11] | | | | | | | | | | | | |
| | YA32LTC12FX | 1 | | | | 5/8 [16] | | | | 3.18 [81] | | | | | | | | | | | | | | | | | | | | | | | | | | | | | | | | | | | | |
| | YA32LTC12FX45 | 2 | | | | | | | | | | | | | | | | | | | | | | | 2.03 [52] | 2.58 [66] | 3.18 [81] | 2.03 [52] | 2.58 [66] | 2.83 [72] | .53 [13] | 2.83 [72] | .53 [13] | .55 [14] | | | | | | | | | | | | |
| | YA32LTC12FX90 | 3 | | | | | | | | | | | | | | | | | | | | | | | 2.19 [56] | 1.45 [37] | 3.18 [81] | 2.19 [56] | 1.45 [37] | 3.18 [81] | .41 [10] | 1.45 [37] | .41 [10] | .42 [11] | | | | | | | | | | | | |
| | YA32LTC58FX | 1 | | | | 7/8 [20] | | | | 3.62 [92] | | | | | | | | | | | | | | | | | | | | | | | | | | | | | | | | | | | | |
| | YA32LTC58FX45 | 2 | | | | | | | | | | | | | | | | | | | | | | | 2.03 [52] | 2.58 [66] | 3.62 [92] | 2.03 [52] | 2.58 [66] | 2.83 [72] | .53 [13] | 2.83 [72] | .53 [13] | .55 [14] | | | | | | | | | | | | |
| | YA32LTC58FX90 | 3 | | | | | | | | | | | | | | | | | | | | | | | 2.19 [56] | 1.45 [37] | 3.62 [92] | 2.19 [56] | 1.45 [37] | 3.62 [92] | .41 [10] | 1.45 [37] | .41 [10] | .42 [11] | | | | | | | | | | | | |
| | YA32LTC78FX | 1 | 313.1 Kcmil 775/24 (300 Kcmil FLEX) | ----- | ----- | 7/8 [20] | 1.19 [30] | 1.40 [36] | .94 [24] | .88 [22] | 3.52 [89] | .88 [22] | .95 [24] | .19 [5] | .89 [23] | 18 OR 324 | RED | W31VT (2) | X31VT (2) | W31VT (2) | U31RT (2) | U31RT (2) | U31RT (2) | | 1-1/4" | | | | | | | | | | | | | | | | | | | | | |
| | YA32LTC78FX45 | 2 | | | | | | | | | | | | | | | | | | | | | | | | 2.03 [52] | 2.58 [66] | 3.52 [89] | 2.03 [52] | 2.58 [66] | 2.83 [72] | .53 [13] | 2.83 [72] | .53 [13] | .55 [14] | | | | | | | | | | | |
| | YA32LTC78FX90 | 3 | | | | | | | | | | | | | | | | | | | | | | | | 2.19 [56] | 1.45 [37] | 3.52 [89] | 2.19 [56] | 1.45 [37] | 3.52 [89] | .41 [10] | 1.45 [37] | .41 [10] | .42 [11] | | | | | | | | | | | |

HYDRAULIC:
Y644M (1)
BAT644M(1)
PAT644M(1)
PAT644 (1)
Y81KFT (2)
PAT81KFT (2)
Y4PC834 (2)
PAT4PC834 (2)

SEE SHEET 1 OF 18 FOR NOTES

| | | | |
|---|--|------------------------------|------------------------------|
| TO ORDER BURNDY® PRODUCTS CALL | | HYLUG™ | |
| UNITED STATES 1-800-346-4175 (LONDONDERRY, NH) | | ITEM NO: N/A | CAT. NO: YA32L- (TABLE) |
| CANADA: 1-800-361-6975 (QUEBEC) 1-800-387-6487 (ALL OTHER PROVINCES) | | DRAWN BY: D FILLION 12/01/92 | CHECKER: K HENRY 12/02/92 |
| FOR PRODUCT INFO: http://www.burndy.com | | DSN APPVL: C PALAGI 12/04/92 | MFG APPVL: -- |
| | | QA APPVL: A LLOYD 12/07/92 | MKT APPVL: T NELSON 12/04/92 |
| | | PROD FAM: CM&R Compression | DRAWING NO: SE208001 |
| | | PROJECT #: -- | SCALE: 1:1 |
| | | DOCUMENT TYPE: Sales | REV: G |
| | | REL LEVEL: Released | SHEET 13 OF 18 |

REV: PE0200

8

7

6

5

4

3

2

1

DRAWING NO.
SE208001

7

6

5



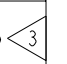
4

3

2

1

| REV | DATE | DESCRIPTION | ECO | BY | C'H'K. |
|-----|------------------------|---------------------|-------|----|--------|
| G | 09/07/2012 16:12:00 PM | COMBINED THE SHEETS | 28713 | BD | MB |

| CONDUCTOR | | | BOLT SIZE | CATALOG NO. | FIG. NO. | DIMENSIONS | | | | | | | | BURNDY® INSTALLATION TOOLING (# CRIMPS) | | | | | | | | | | | | | | | | | |
|---|------------|--|-----------|----------------|----------|------------|-----------|-----------|-----------|-------|-----------|-----------|-----------|---|-----------|------------|--------------------|-----------|----------------------|-----------------------|---|---|-------------------|---|-------|---|---------|---|---------|---|---------|
| FLEX | CODE (AWG) | NAVY  | | | | B | C | H | K | L | N | O.D. | T REF. | Z MIN. | DIE INDEX | COLOR CODE | MECHANICAL RATCHET | | HYDRAULIC | | | DIELESS (# CRIMPS) | WIRE STRIP LENGTH | | | | | | | | |
| | | | | | | | | | | | | | | | | | MD7-34R MD6 | OUR840 | BCT500 Y500CT PAT600 | Y750, Y35 Y39, PAT750 | Y46 PAT46  | | | Y45  | | | | | | | |
| 373.7 Kcmil 925/24 (350 Kcmil/FLEX) | ----- | ----- | 5/16 | YA34LTC516FX | 1 | 1.27 [32] | 1.55 [39] | ----- | 2.74 [70] | ----- | 1.06 [27] | .23 [6] | ----- | 19 OR 470 | BLUE | W32VT (2) | X32VT (2) | W32VT (2) | U32RT (2) | U32RT (2) | U32RT (2) | HYDRAULIC: Y644M (1) PAT644 (1) Y81KFT (2) PAT81KFT (2) Y4PC834 (2) PAT4PC834 (2) | 1-5/16" | | | | | | | | |
| | | | | YA34LTC516FX45 | 2 | ----- | .33 [8] | 2.66 [67] | .34 [9] | ----- | 19 OR 470 | BLUE | W32VT (2) | X32VT (2) | W32VT (2) | U32RT (2) | U32RT (2) | U32RT (2) | | | | | | | | | | | | | |
| | | | | YA34LTC516FX90 | 3 | 2.41 [61] | 1.40 [36] | ----- | 19 OR 470 | BLUE | W32VT (2) | X32VT (2) | W32VT (2) | U32RT (2) | U32RT (2) | U32RT (2) | | | | | | | | | | | | | | | |
| | | | 3/8 | YA34LTC38FX | 1 | ----- | 2.87 [73] | ----- | ----- | ----- | ----- | ----- | ----- | ----- | ----- | ----- | ----- | ----- | ----- | ----- | ----- | | | ----- | ----- | HYDRAULIC: Y644M (1) PAT644 (1) Y81KFT (2) PAT81KFT (2) Y4PC834 (2) PAT4PC834 (2) | 1-5/16" | | | | |
| | | | | YA34LTC38FX45 | 2 | 2.24 [57] | .40 [10] | 2.78 [70] | .41 [10] | ----- | 19 OR 470 | BLUE | W32VT (2) | X32VT (2) | W32VT (2) | U32RT (2) | U32RT (2) | U32RT (2) | | | | | | | | | | | | | |
| | | | | YA34LTC38FX90 | 3 | 2.41 [61] | 1.52 [39] | ----- | 19 OR 470 | BLUE | W32VT (2) | X32VT (2) | W32VT (2) | U32RT (2) | U32RT (2) | U32RT (2) | | | | | | | | | | | | | | | |
| | | | 1/2 | YA34LTC12FX | 1 | ----- | 3.12 [79] | ----- | ----- | ----- | ----- | ----- | ----- | ----- | ----- | ----- | ----- | ----- | ----- | ----- | ----- | | | ----- | ----- | | | HYDRAULIC: Y644M (1) PAT644 (1) Y81KFT (2) PAT81KFT (2) Y4PC834 (2) PAT4PC834 (2) | 1-5/16" | | |
| | | | | YA34LTC12FX45 | 2 | 2.24 [57] | .53 [13] | 3.03 [76] | .53 [13] | ----- | 19 OR 470 | BLUE | W32VT (2) | X32VT (2) | W32VT (2) | U32RT (2) | U32RT (2) | U32RT (2) | | | | | | | | | | | | | |
| | | | | YA34LTC12FX90 | 3 | 2.41 [61] | 1.77 [45] | ----- | 19 OR 470 | BLUE | W32VT (2) | X32VT (2) | W32VT (2) | U32RT (2) | U32RT (2) | U32RT (2) | | | | | | | | | | | | | | | |
| | | | 5/8 | YA34LTC58FX | 1 | ----- | 3.37 [86] | ----- | ----- | ----- | ----- | ----- | ----- | ----- | ----- | ----- | ----- | ----- | ----- | ----- | ----- | | | ----- | ----- | | | | | HYDRAULIC: Y644M (1) PAT644 (1) Y81KFT (2) PAT81KFT (2) Y4PC834 (2) PAT4PC834 (2) | 1-5/16" |
| | | | | YA34LTC58FX45 | 2 | 2.24 [57] | .69 [18] | 3.28 [83] | .66 [17] | ----- | 19 OR 470 | BLUE | W32VT (2) | X32VT (2) | W32VT (2) | U32RT (2) | U32RT (2) | U32RT (2) | | | | | | | | | | | | | |
| | | | | YA34LTC58FX90 | 3 | 1.27 [32] | 1.55 [39] | 2.41 [61] | 2.02 [52] | ----- | 19 OR 470 | BLUE | W32VT (2) | X32VT (2) | W32VT (2) | U32RT (2) | U32RT (2) | U32RT (2) | | | | | | | | | | | | | |

B

A

SEE SHEET 1 OF 18 FOR NOTES

| | | | |
|---|--|------------------------------|--|
| TO ORDER BURNDY® PRODUCTS CALL | | HYLUG™ | |
| UNITED STATES 1-800-346-4175 (LONDONDERRY, NH) | | ITEM NO: N/A | |
| CANADA: 1-800-361-6975 (QUEBEC) 1-800-387-6487 (ALL OTHER PROVINCES) | | CAT. NO: YA34L-TC-FX- | |
| FOR PRODUCT INFO: http://www.burndy.com | | DRAWN BY: D FILLION 12/01/92 | |
| | | CHECKER: K HENRY 12/02/92 | |
| | | DSN APPVL: C PALAGI 12/04/92 | |
| | | MFG APPVL: -- -- | |
| | | QA APPVL: A LLOYD 12/07/92 | |
| | | MKT APPVL: -- -- | |
| | | SCALE: 1:1 | |
| | | PROJ. NO: -- | |
| | | SIZE: D | |
| | | DRAWING NO: SE208001 | |
| | | SHEET 14 OF 18 | |
| | | REV: G | |

REV: PE0200

8

7

6

5

4

3

2

1

DRAWING NO.
SE208001

7

6

5


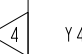
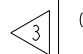






4

3

2

1

| REV | DATE | DESCRIPTION | ECO | BY | C'H'K. |
|-----|------------------------|---------------------|-------|----|--------|
| G | 09/07/2012 16:12:00 PM | COMBINED THE SHEETS | 28713 | BD | MB |

| D | CATALOG NO. | CONDUCTOR | | | BOLT SIZE | FIG. NO. | DIMENSIONS | | | | | | | BURNDY® INSTALLATION TOOLING (# CRIMPS) | | | | | | | | | | | | | | | | |
|---------------|--|-----------|------------|--|-----------|--------------|--------------|--------------|-------------|---|--------------|---|--------------|---|--------|-----------------|------------|----------------------------|--|---|---|---|--------|--|--|--|--|--|--|--|
| | | FLEX | CODE (AWG) | NAVY  | | | B | C | H | K | L | N | O.D. | T REF. | Z MIN. | DIE INDEX | COLOR CODE | HYDRAULIC | | | DIELESS (# CRIMPS) | WIRE STRIP LENGTH | | | | | | | | |
| | | | | | | | | | | | | | | | | | | Y750 Y35 Y39, PAT750 | Y46 PAT46  | Y45  | | | | | | | | | | |
| YA36LTC38FX | 444.4 Kcmil 1100/24 (450 Kcmil FLEX) | ----- | ----- |  | 3/8 | 1 | 1.38 [35] | 1.74 [44] | ----- | | 3.23 [82] | | 1.19 [31] | .27 [7] | | 20 OR 299 | BROWN | U34RT (2) | U34RT (2) | U34RT (2) | HYDRAULIC: Y644M (1) PAT644 (1) Y81KFT (2) PAT81KFT (2) Y4PC834 (2) PAT4PC834 (2) |  | 1-3/8" | | | | | | | |
| 2 | | | | | | 2.48 [63] | .41 [10] | 3.20 [81] | .50 [13] | | | | | | | | | | | | | | | | | | | | | |
| 3 | | | | | | 2.68 [68] | | 1.80 [46] | | | | | | | | | | | | | | | | | | | | | | |
| YA36LTC38FX45 | | | | | | | | | | | | | | | | | | | | | | | | | | | | | | |
| YA36LTC38FX90 | | | | | | | | | | | | | | | | | | | | | | | | | | | | | | |
| YA36LTC12FX | 444.4 Kcmil 1100/24 (450 Kcmil FLEX) | ----- | ----- |  | 1/2 | 1 | ----- | ----- | ----- | | 3.29 [84] | | ----- | ----- | | 20 OR 299 | BROWN | U34RT (2) | U34RT (2) | U34RT (2) | HYDRAULIC: Y644M (1) PAT644 (1) Y81KFT (2) PAT81KFT (2) Y4PC834 (2) PAT4PC834 (2) |  | 1-3/8" | | | | | | | |
| 2 | | | | | | 2.48 [63] | .53 [13] | 3.26 [83] | .53 [13] | | | | | | | | | | | | | | | | | | | | | |
| 3 | | | | | | 2.68 [68] | | 1.86 [47] | | | | | | | | | | | | | | | | | | | | | | |
| YA36LTC12FX45 | | | | | | | | | | | | | | | | | | | | | | | | | | | | | | |
| YA36LTC12FX90 | | | | | | | | | | | | | | | | | | | | | | | | | | | | | | |
| YA36LTC58FX | 444.4 Kcmil 1100/24 (450 Kcmil FLEX) | ----- | ----- |  | 5/8 | 1 | ----- | ----- | ----- | | 3.54 [90] | | ----- | ----- | | 20 OR 299 | BROWN | U34RT (2) | U34RT (2) | U34RT (2) | HYDRAULIC: Y644M (1) PAT644 (1) Y81KFT (2) PAT81KFT (2) Y4PC834 (2) PAT4PC834 (2) |  | 1-3/8" | | | | | | | |
| 2 | | | | | | 2.48 [63] | .69 [17] | 3.51 [89] | .66 [17] | | | | | | | | | | | | | | | | | | | | | |
| 3 | | | | | | 2.68 [68] | | 2.11 [54] | | | | | | | | | | | | | | | | | | | | | | |
| YA36LTC58FX45 | | | | | | | | | | | | | | | | | | | | | | | | | | | | | | |
| YA36LTC58FX90 | | | | | | | | | | | | | | | | | | | | | | | | | | | | | | |

B

A

SEE SHEET 1 OF 18 FOR NOTES

REV: PE0200

| | | | |
|---|--|--------------------------------|--|
| TO ORDER BURNDY® PRODUCTS CALL | | HYLUG™ | |
| UNITED STATES 1-800-346-4175 (LONDONDERRY, NH) | | ITEM NO: N/A | |
| CANADA: 1-800-361-6975 (QUEBEC) 1-800-387-6487 (ALL OTHER PROVINCES) | | CAT. NO: YA36L-TC--FX- (TABLE) | |
| FOR PRODUCT INFO: http://www.burndy.com | | DRAWN BY: D FILLION 12/01/92 | |
| | | CHECKER: K HENRY 12/02/92 | |
| | | DSN APPVL: C PALAGI 12/04/92 | |
| | | MFG APPVL: -- | |
| | | QA APPVL: A LLOYD 12/07/92 | |
| | | MKT APPVL: T NELSON 12/07/92 | |
| | | SCALE: 1:1 | |
| | | PROJ. NO: -- | |
| | | SIZE: D | |
| | | DRAWING NO: SE208001 | |
| | | REV: G | |
| | | SHEET 15 OF 18 | |

8

7

6

5

4

3

2

1

DRAWING NO.
SE208001

7

6

5

4

3

2

1

| REV | DATE | DESCRIPTION | ECO | BY | C'H'K. |
|-----|------------------------|---------------------|-------|----|--------|
| G | 09/07/2012 16:12:00 PM | COMBINED THE SHEETS | 28713 | BD | MB |

| CONDUCTOR | | | BOLT SIZE | CATALOG NO. | FIG. NO. | DIMENSIONS | | | | | | | BURNDY® INSTALLATION TOOLING (# CRIMPS) | | | | | | | | |
|--|---------------|-------|--------------|----------------|--------------|--------------|--------------|--------------|--------------|-------|--------------|------------|---|---------------------------|---------------------------|---------------------------|----------------------------|---------------------------|---|--------------------|-------------------|
| FLEX | CODE (AWG) | NAVY | | | | B | C | H | K | L | N | O.D. | T REF. | Z MIN. | DIE INDEX | COLOR CODE | HYDRAULIC | | | DIELESS (# CRIMPS) | WIRE STRIP LENGTH |
| | | | | | | | | | | | | | | | | | Y750 Y35 Y39, PAT750 | Y46 PAT46 | Y45 | | |
| 535.3 Kcmil 1325/24 (500 Kcmil FLEX) | ----- | ----- | 5/16 | YA38LTC516FX | 1 | 1.45 [37] | 1.84 [47] | ----- | 3.03 [77] | ----- | 1.25 [32] | .27 [7] | ----- | L99 | PINK | U38XRT UR4140WE (2) | U38XRT UR4140WE (2) | U38XRT UR4140WE (2) | HYDRAULIC: Y644M (1) PAT644 (1) Y81KFT (2) PAT81KFT (3) Y4PC834 (3) PAT4PC834 (3) | 1-7/16" | |
| | | | | YA38LTC516FX45 | 2 | 2.60 [66] | .33 [8] | 2.97 [75] | .34 [9] | ----- | .36 [9] | | | | | | | | | | |
| | | | | YA38LTC516FX90 | 3 | 2.80 [71] | ----- | 1.52 [39] | ----- | ----- | ----- | | | | | | | | | | |
| | | | | YA38LTC38FX | 1 | ----- | 3.34 [85] | ----- | ----- | ----- | ----- | | | | | | | | | | |
| | | | | YA38LTC38FX45 | 2 | 2.60 [66] | .40 [10] | 3.29 [84] | .50 [13] | ----- | .52 [13] | | | | | | | | | | |
| | | | | YA38LTC38FX90 | 3 | 2.80 [71] | ----- | 1.83 [46] | ----- | ----- | ----- | | | | | | | | | | |
| | | | 3/8 | YA38LTC12FX | 1 | ----- | 3.41 [87] | ----- | ----- | ----- | ----- | | | | | | | | | | |
| | | | | YA38LTC12FX45 | 2 | 2.60 [66] | .53 [13] | 3.35 [85] | .53 [13] | ----- | .55 [14] | | | | | | | | | | |
| | | | | YA38LTC12FX90 | 3 | 2.80 [71] | ----- | 1.90 [48] | ----- | ----- | ----- | | | | | | | | | | |
| | | | 1/2 | YA38LTC12FX | 1 | ----- | 3.41 [87] | ----- | ----- | ----- | ----- | | | | | | | | | | |
| | | | | YA38LTC12FX45 | 2 | 2.60 [66] | .53 [13] | 3.35 [85] | .53 [13] | ----- | .55 [14] | | | | | | | | | | |
| | | | | YA38LTC12FX90 | 3 | 2.80 [71] | ----- | 1.90 [48] | ----- | ----- | ----- | | | | | | | | | | |
| 5/8 | YA38LTC58FX | 1 | ----- | 3.66 [93] | ----- | ----- | ----- | ----- | | | | | | | | | | | | | |
| | YA38LTC58FX45 | 2 | 2.60 [66] | .69 [17] | 3.60 [91] | .66 [17] | ----- | .67 [17] | | | | | | | | | | | | | |
| | YA38LTC58FX90 | 3 | 2.80 [71] | ----- | 2.15 [55] | ----- | ----- | ----- | | | | | | | | | | | | | |
| 5/8 | YA38LTC58FX | 1 | 1.45 [37] | 1.84 [47] | ----- | 3.66 [93] | ----- | 1.25 [32] | .27 [7] | ----- | ----- | L99 | PINK | U38XRT UR4140WE (2) | U38XRT UR4140WE (2) | U38XRT UR4140WE (2) | ----- | 1-7/16" | | | |
| | YA38LTC58FX45 | 2 | 2.60 [66] | .69 [17] | 3.60 [91] | .66 [17] | ----- | .67 [17] | | | | | | | | | | | | | |
| | YA38LTC58FX90 | 3 | 2.80 [71] | ----- | 2.15 [55] | ----- | ----- | ----- | | | | | | | | | | | | | |

B

C

D

A

SEE SHEET 1 OF 18 FOR NOTES

| | | | |
|---|--|------------------------------|--|
| TO ORDER BURNDY® PRODUCTS CALL | | HYLUG™ | |
| UNITED STATES 1-800-346-4175 (LONDONDERRY, NH) | | ITEM NO: N/A | |
| CANADA: 1-800-361-6975 (QUEBEC) 1-800-387-6487 (ALL OTHER PROVINCES) | | CAT. NO: YA38L-TC-FX- | |
| FOR PRODUCT INFO: http://www.burndy.com | | DRAWN BY: D FILLION 12/01/92 | |
| | | CHECKER: K HENRY 12/02/92 | |
| | | DSN APPVL: C PALAGI 12/04/92 | |
| | | MFG APPVL: -- -- | |
| | | QA APPVL: A LLOYD 12/07/92 | |
| | | MKT APPVL: T NELSON 12/04/92 | |
| | | PROD FAM: CM&R Compression | |
| | | DRAWING NO: SE208001 | |
| | | PROJECT #: -- | |
| | | SIZE: D | |
| | | DOCUMENT TYPE: Sales | |
| | | REL LEVEL: Released | |
| | | SCALE: 1:1 | |
| | | REV: G | |
| | | SHEET 16 OF 18 | |

REV: PE0200

8

7

6

5

4

3

2

1

DRAWING NO.
SE208001

7

6

5


4

3

2

1

| REV | DATE | DESCRIPTION | ECO | BY | C'H'K. |
|-----|------------------------|---------------------|-------|----|--------|
| G | 09/07/2012 16:12:00 PM | COMBINED THE SHEETS | 28713 | BD | MB |

| CONDUCTOR | | | BOLT SIZE | CATALOG NO. | FIG. NO. | DIMENSIONS | | | | | | | BURNDY® INSTALLATION TOOLING (# CRIMPS) | | | | | | | | | | | | | | | |
|--|------------|--|--------------|--------------|--------------|----------------|------------|--------------|--------------|--------------|------------|--------------|---|--------------|--------------|--------------|----------------------------|---|---------|--------------------|-------------------|--------------|---------------|------------|--------------|--------------|--------------|-------------|
| FLEX | CODE (AWG) | NAVY  | | | | B | C | H | K | L | N | O.D. | T REF. | Z MIN. | DIE INDEX | COLOR CODE | HYDRAULIC | | | DIELESS (# CRIMPS) | WIRE STRIP LENGTH | | | | | | | |
| | | | | | | | | | | | | | | | | | Y750 Y35 Y39, PAT750 | Y46 PAT46 | Y45 | | | | | | | | | |
| 646 Kcmil 1600/24 (650 Kcmil FLEX) | ----- | ----- | 5/16 | ↑ | ↑ | ----- | .33 [8] | 3.05 [77] | .34 [9] | 1.35 [34] | .30 [8] | .36 [9] | 24 | BLACK | U39RT (2) | U39RT (2) | U39RT (2) | HYDRAULIC: Y644M (1) PAT644 (1) Y81KFT (2) PAT81KFT (3) Y4PC834 (3) PAT4PC834 (3) | 1-5/16" | | | | | | | | | |
| | | | | | | YA40LTC516FX | | 1 | | | | | | | 2.71 [69] | 3.06 [78] | | | | | | | | | | | | |
| | | | | | | YA40LTC516FX45 | | 2 | | | | | | | 2.89 [73] | 1.59 [40] | | | | | | | | | | | | |
| | | | | | | YA40LTC516FX90 | 3 | ----- | 3.38 [86] | | | | | | | | | | | | | | | | | | | |
| | | | | | | YA40LTC38FX | 1 | 2.71 [69] | .40 [10] | | | | | | 3.38 [86] | .50 [13] | | | | | | | | | | | | |
| | | | | | | YA40LTC38FX45 | 2 | 2.89 [73] | 1.91 [49] | | | | | | | | | | | | | | | | | | | |
| | | | 3/8 | ↑ | ↑ | ↑ | ↑ | ↑ | ↑ | ↑ | ↑ | ↑ | ↑ | ↑ | ↑ | ↑ | ↑ | ↑ | ↑ | ↑ | ↑ | ↑ | | | | | | |
| | | | | | | | | | | | | | | | | | | | | | | | YA40LTC38FX | 1 | 2.71 [69] | 3.43 [87] | | |
| | | | | | | | | | | | | | | | | | | | | | | | YA40LTC38FX45 | 2 | 2.89 [73] | .53 [13] | 3.44 [87] | .53 [13] |
| | | | | | | | | | | | | | | | | | | | | | | | YA40LTC38FX90 | 3 | ----- | 3.68 [93] | | |
| | | | | | | | | | | | | | | | | | | | | | | | YA40LTC12FX | 1 | 2.71 [69] | .69 [17] | 3.69 [94] | .66 [17] |
| | | | | | | | | | | | | | | | | | | | | | | | YA40LTC12FX45 | 2 | 2.89 [73] | 1.96 [50] | | |
| 1/2 | ↑ | ↑ | ↑ | ↑ | ↑ | ↑ | ↑ | ↑ | ↑ | ↑ | ↑ | ↑ | ↑ | ↑ | ↑ | ↑ | ↑ | ↑ | ↑ | | | | | | | | | |
| | | | | | | | | | | | | | | | | | | | | YA40LTC12FX | 1 | 2.71 [69] | 2.21 [56] | | | | | |
| | | | | | | | | | | | | | | | | | | | | YA40LTC12FX45 | 2 | 2.89 [73] | 1.35 [34] | .30 [8] | | | | |
| | | | | | | | | | | | | | | | | | | | | YA40LTC12FX90 | 3 | ----- | 1.35 [34] | .30 [8] | | | | |
| | | | | | | | | | | | | | | | | | | | | YA40LTC58FX | 1 | 2.71 [69] | 1.98 [50] | | | | | |
| | | | | | | | | | | | | | | | | | | | | YA40LTC58FX45 | 2 | 2.89 [73] | 1.98 [50] | | | | | |
| 5/8 | ↑ | ↑ | ↑ | ↑ | ↑ | ↑ | ↑ | ↑ | ↑ | ↑ | ↑ | ↑ | ↑ | ↑ | ↑ | ↑ | ↑ | ↑ | ↑ | | | | | | | | | |
| | | | | | | | | | | | | | | | | | | | | YA40LTC58FX | 1 | 2.71 [69] | 1.98 [50] | | | | | |
| | | | | | | | | | | | | | | | | | | | | YA40LTC58FX45 | 2 | 2.89 [73] | 1.98 [50] | | | | | |
| YA40LTC58FX90 | 3 | 1.42 [36] | 1.98 [50] | 2.89 [73] | 2.21 [56] | 1.35 [34] | .30 [8] | 1.35 [34] | .30 [8] | 24 | BLACK | U39RT (2) | U39RT (2) | U39RT (2) | 1-5/16" | | | | | | | | | | | | | |

B

C

D

A

SEE SHEET 1 OF 18 FOR NOTES

TO ORDER BURNDY® PRODUCTS CALL

UNITED STATES
1-800-346-4175 (LONDONDERRY, NH)

CANADA:
1-800-361-6975 (QUEBEC)
1-800-387-6487 (ALL OTHER PROVINCES)

FOR PRODUCT INFO: <http://www.burndy.com>

HYLUG™

| | |
|----------------|--------------------|
| ITEM NO: | N/A |
| CAT. NO: | YA40L-TC-FX- |
| DRAWN BY: | D FILLION 12/01/91 |
| CHECKER: | K HENRY 12/02/92 |
| DSN APPVL: | C PALAGI 12/04/92 |
| MFG APPVL: | -- |
| QA APPVL: | A LLOYD 12/07/92 |
| MKT APPVL: | T NELSON 12/04/92 |
| PROD FAM: | CM&R Compression |
| PROJECT #: | --- |
| DOCUMENT TYPE: | Sales |
| REL LEVEL: | Released |



| | | |
|------------|----------------|-----|
| SCALE: 1:1 | DRAWING NO | REV |
| | SE208001 | G |
| | SHEET 17 OF 18 | |

REV: PE0200

8

7

6

5

4

3

2

1

DRAWING NO.
SE208001

7

6

5

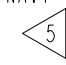
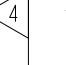
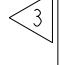
4

3

2

1

| REV | DATE | DESCRIPTION | ECO | BY | C'H'K. |
|-----|------------------------|---------------------|-------|----|--------|
| G | 09/07/2012 16:12:00 PM | COMBINED THE SHEETS | 28713 | BD | MB |

| D | CATALOG NO. | FIG. NO. | CONDUCTOR | | | BOLT SIZE | DIMENSIONS | | | | | | | BURNDY® INSTALLATION TOOLING (# CRIMPS) | | | | | | | | | | | | | |
|---------------|-------------|----------|--|------------|--|--------------|--------------|--------------|---------------|---------------|---------------|--------------|--------------|---|--------|-----------|------------|--|--|---|---------------------------|---|--------|--|--|--|--|
| | | | FLEX | CODE (AWG) | NAVY  | | B | C | H | K | L | N | O.D. | T REF. | Z MIN. | DIE INDEX | COLOR CODE | HYDRAULIC | | | DIELESS (# CRIMPS) | WIRE STRIP LENGTH | | | | | |
| | | | | | | | | | | | | | | | | | | Y750 Y35 Y39 BAT750 PAT750 | Y46 PAT46  | Y45  | | | | | | | |
| YA44LTC12FX | 1 | | 777.7 Kcmil 1925/24 (750 Kcmil FLEX) | ----- | ----- | 1/2 [M12] | 1.65 [42] | 2.19 [56] | ----- | | 3.79 [96] | | 1.50 [38] | .33 [8] | | | L115 | YELLOW | U44XRT UR4141WE (2) | U44XRT UR4141WE (2) | U44XRT UR4141WE (2) | HYDRAULIC: Y644M (1) PAT644 (1) Y81KFT (2) PAT81KFT (3) Y4PC834 (3) PAT4PC834 (3) | 1-5/8" | | | | |
| YA44LTC12FX45 | 2 | | | | | | 3.06 [78] | .53 [13] | 3.74 [95] | .53 [13] | | | | | | | | | | | | | | | | | |
| YA44LTC12FX90 | 3 | | | | | | 3.28 [84] | | 2.06 [53] | | | | | | | | | | | | | | | | | | |
| YA44LTC58FX | 1 | | 777.7 Kcmil 1925/24 (750 Kcmil FLEX) | ----- | ----- | 5/8 [M16] | 1.65 [42] | 2.19 [56] | ----- | | 4.04 [103] | | 1.50 [38] | .33 [8] | | | L115 | YELLOW | U44XRT UR4141WE (2) | U44XRT UR4141WE (2) | U44XRT UR4141WE (2) | HYDRAULIC: Y644M (1) PAT644 (1) Y81KFT (2) PAT81KFT (3) Y4PC834 (3) PAT4PC834 (3) | 1-5/8" | | | | |
| YA44LTC58FX45 | 2 | | | | | | 3.06 [78] | .69 [18] | 3.99 [101] | .66 [17] | | | | | | | | | | | | | | | | | |
| YA44LTC58FX90 | 3 | | | | | | 3.28 [84] | | 2.31 [59] | | | | | | | | | | | | | | | | | | |
| YA44LNT12FX | 1 | | 777.7 Kcmil 1925/24 (750 Kcmil FLEX) | ----- | ----- | 1/2 [M12] | 1.62 [41] | ----- | .56 [14] | 3.98 [101] | .62 [16] | 1.50 [38] | .33 [8] | | | | L115 | YELLOW | U44XRT UR4141WE (2) | U44XRT UR4141WE (2) | U44XRT UR4141WE (2) | HYDRAULIC: Y644M (1) PAT644 (1) Y81KFT (2) PAT81KFT (3) Y4PC834 (3) PAT4PC834 (3) | 1-5/8" | | | | |
| YA44LTC38FX | 1 | | | | | | 3/8 [M10] | 2.19 [56] | ----- | .41 [10] | 3.73 [95] | .50 [13] | | | | | | | | | | | | | | | |

B

A

SEE SHEET 1 OF 18 FOR NOTES

REV: PE0200

| | | | |
|---|--|------------------------------|--|
| TO ORDER BURNDY® PRODUCTS CALL | | HYLUG™ | |
| UNITED STATES 1-800-346-4175 (LONDONDERRY, NH) | | ITEM NO: N/A | |
| CANADA: 1-800-361-6975 (QUEBEC) 1-800-387-6487 (ALL OTHER PROVINCES) | | CAT. NO: YA44L-TC-FX- | |
| FOR PRODUCT INFO: http://www.burndy.com | | DRAWN BY: D FILLION 12/17/92 | |
| | | CHECKER: K HENRY 12/18/92 | |
| | | DSN APPVL: C PALAGI 12/22/92 | |
| | | MFG APPVL: -- -- | |
| | | QA APPVL: A LLOYD 12/31/92 | |
| | | MKT APPVL: T NELSON 01/12/93 | |
| | | PROD FAM: CM&R Compression | |
| | | DRAWING NO | |
| | | REV | |
| | | SCALE: 1:1 | |
| | | PROJECT #: -- SIZE | |
| | | DOCUMENT TYPE: Sales | |
| | | REL LEVEL: Released | |
| | | SE208001 | |
| | | SHEET 18 OF 18 | |
| | | G | |

8

7

6

5

4

3

2

1