

DRAWING NO.
SE209240

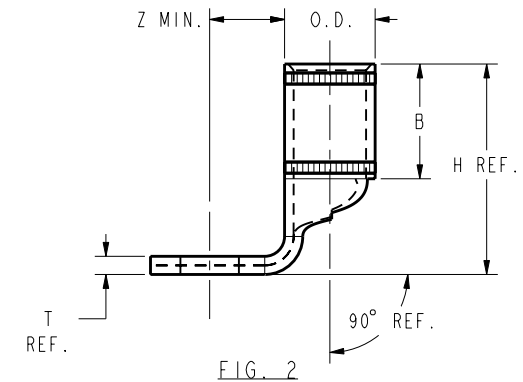
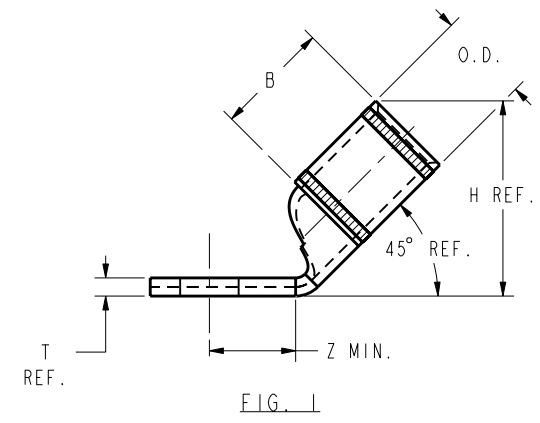
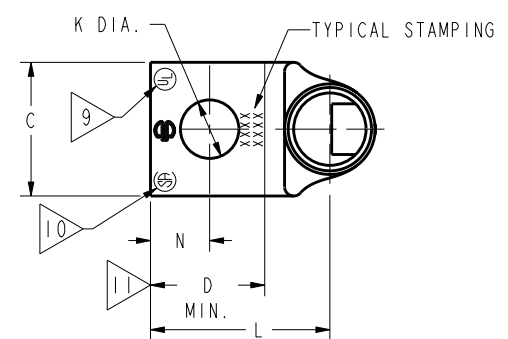
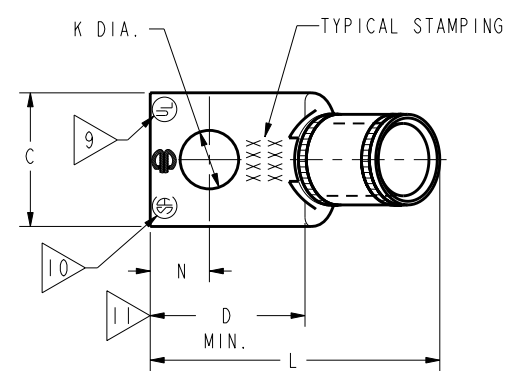
| CATALOG NUMBER | STRANDED COPPER CONDUCTOR ACCOMMODATED | | | BOLT SIZE | METRIC BOLT SIZE | FIG. NO. | DIMENSIONS | | | | | | | | |
|----------------|--|------|-----------------------------|-----------|------------------|----------|------------|----------|----------|---------|-----------|---------|---------|---------|---------|
| | CODE (AWG) | NAVY | METRIC SIZE (CLASS 2) | | | | B | C | H REF. | K DIA. | L | N | O.D. | T REF. | Z MIN. |
| YA8CL45 | #8 AWG #6 SOL | 23 | 10mm ² STR [4.2] | 8-10 | ----- | 1 | .44 [11] | .41 [10] | .68 [17] | .21 [5] | 1.02 [26] | .22 [6] | .27 [7] | .08 [2] | .27 [7] |
| 2 | | | | | | .41 [10] | .80 [20] | .21 [5] | .71 [18] | .22 [6] | .27 [7] | .27 [7] | | | |
| 1 | | | | .44 [11] | .67 [17] | .27 [7] | 1.24 [31] | .25 [6] | .33 [8] | .33 [8] | | | | | |
| 2 | | | | .44 [11] | .79 [20] | .27 [7] | .80 [20] | .25 [6] | .27 [7] | .08 [2] | .33 [8] | | | | |

| REV | DATE | DESCRIPTION | ECO | BY | C'H'K. |
|-----|------------------------|-----------------------------------|-------|----|--------|
| C | 11/04/2011 09:30:00 AM | UPDATED TOOLING DETAILS AS PER MU | 25809 | BT | MA |

| CONNECTOR SIZE | TOLERANCES | | | | | |
|----------------|------------|------|--------|------|------|------|
| | B | C | K DIA. | L | N | O.D. |
| -8C THRU -25 | ±.06 | ±.04 | ±.02 | ±.09 | ±.03 | ±.01 |
| -26 THRU -34 | ±.08 | ±.04 | ±.02 | ±.12 | ±.03 | ±.01 |
| -35 AND UP | ±.09 | ±.06 | ±.02 | ±.15 | ±.06 | ±.01 |

TOLERANCE BLOCK

| CATALOG NO. | COLOR CODE | DIE INFORMATION | | MECHANICAL RATCHET | | | | HYDRAULIC | | | | | DIELESS (# CRIMPS) | WIRE STRIP LENGTH | | |
|--|------------|-----------------|-------------|--------------------|----------|----------------------------------|----------------------------------|----------------------------------|-------------------|-------------------------|---------------|----------|--------------------|-------------------|--|--------|
| | | DIE INDEX | TYPE | 6 YIMRTC | OUR840 | MD6 MD7 | MD6--R2 MD7-34R | PATMD6 PAT600 | 8 Y34A Y34B Y34BH | 5 Y35, Y39 Y750, PAT750 | 5 4 Y46 PAT46 | 5 3 Y45 | | | Y48B | Y60BHU |
| YA8CL45 YA8CL90 YA8CL145 YA8CL190 | RED | 49 | RED DIE SET | RED (1) | X8CRT(1) | X8CRT(1) W8CVT(1) W8CRT(1) | X8CRT(1) W8CVT(1) W8CRT(1) | X8CRT(1) W8CVT(1) W8CRT(1) | ----- | U8CRT(1) | U8CRT(1) | U8CRT(1) | ----- | ----- | RATCHET: Y8MRB-1(1) MECHANICAL: MY29-3(1) MY29-11(1) MRC840(1) HYDRAULIC: Y81KFT Y4PC834 | 7/16" |
| | | | NEST | ----- | ----- | ----- | ----- | ----- | ----- | ----- | ----- | ----- | | | | |
| | | | INDENTOR | ----- | ----- | ----- | ----- | ----- | ----- | ----- | ----- | ----- | | | | |



- NOTES:
- MATERIAL : COPPER TUBING.
 - FINISH: ELECTRO-TIN PLATED.
 - CATALOG # PT6515 ADAPTOR IS REQUIRED TO USE "U" DIES IN Y45 SERIES TOOLS.
 - CATALOG # PUADP-1 ADAPTOR IS REQUIRED TO USE "U" DIES IN Y46 SERIES TOOLS.
 - Y35P3 INDENTOR ADAPTOR REQUIRED FOR Y34PR INDENTOR.
 - PERMANENT DIE IN TOOLING.
 - DIMENSIONS IN BRACKETS [] ARE IN MILLIMETERS ROUNDED OFF TO THE NEAREST MILLIMETER, UNLESS OTHERWISE NOTED, AND ARE FOR REFERENCE ONLY.
 - FOR USE BY CUSTOMERS THAT HAVE THIS HYPRESS™. NO NEW Y34A HYPRESS™ TOOLS ARE BEING PROCESSED. Y34A USES A--D NEST DIES ONLY.
 - CONNECTORS ARE UL LISTED; UNDRILLED VERSIONS ARE NOT UL LISTED.
 - CONNECTORS ARE CSA CERTIFIED; UNDRILLED VERSIONS ARE NOT CSA CERTIFIED.
 - FOR UNDRILLED VERSIONS ADD SUFFIX "-U" TO END OF CATALOG NUMBER. FOR UNDRILLED VERSIONS, USE D MIN. = N MAX. + Z MIN.
 - "X", "W-RT", "W-VT", "U", & "L" DIE SETS ARE COLOR CODED. "A", "B", AND "C" DIES ARE NOT COLOR CODED. NESTS AND INDENTOR TYPE ARE NOT COLOR CODED.

| | | | |
|---|--|-------------------------------|------------------------------|
| TO ORDER BURNDY® PRODUCTS CALL | | HYLUG™ COPPER | |
| UNITED STATES 1-800-346-4175 (LONDONDERRY, NH) | | ITEM NO: N/A | CAT. NO: YA8C-L-- (TABLE) |
| CANADA: 1-800-361-6975 (QUEBEC) 1-800-387-6487 (ALL OTHER PROVINCES) | | DRAWN BY: J MICHAUD 12/08/94 | CHECKER: D FELLION 12/08/94 |
| FOR PRODUCT INFO: http://www.burndy.com | | DSN APPVL: C PALAGI 12/08/94 | MFG APPVL: -- |
| | | QA APPVL: C ACKERMAN 12/23/94 | MKT APPVL: T NELSON 12/15/94 |
| | | PROJ #: -- | SIZE: D |
| | | DOCUMENT TYPE: Sales | REL LEVEL: Released |
| | | SCALE: 1:1 | DRAWING NO: SE209240 |
| | | | SHEET 1 OF 38 |

REV: PE0200