

DRAWING NO.
SE209240

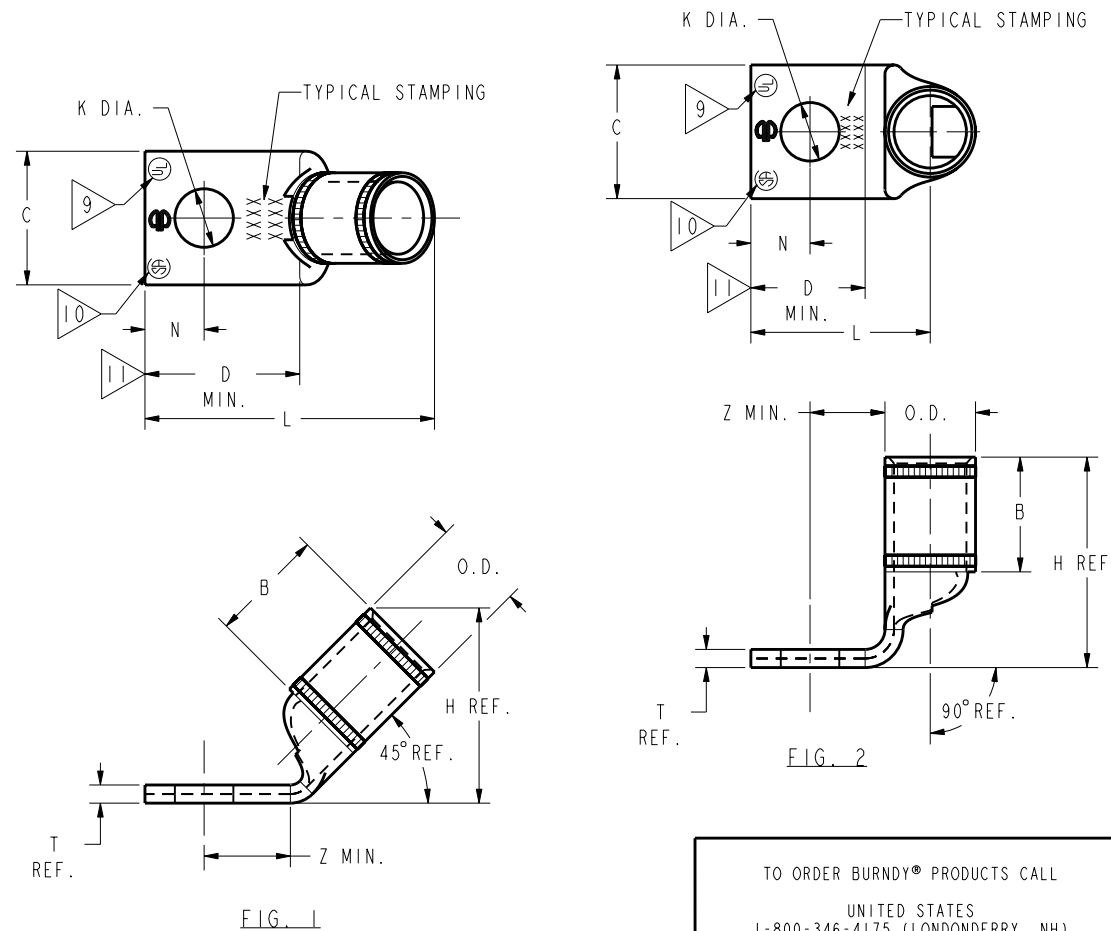
CATALOG NUMBER	STRANDED COPPER CONDUCTOR ACCOMMODATED			BOLT SIZE	METRIC BOLT SIZE	FIG. NO.	DIMENSIONS								
	CODE (AWG)	NAVY	METRIC SIZE (CLASS 2)				B	C	H REF.	K DIA.	L	N	O.D.	T REF.	Z MIN.
YA28L245	4/0 AWG	200	-----	1/4	M6	1	.88 [22]	1.02 [26]	1.49 [38]	.27 [7]	1.89 [48]	.25 [6]	.69 [18]	.14 [4]	.33 [8]
YA28L290						2	1.62 [41]	.27 [7]	1.04 [26]	.25 [6]	.69 [18]	.14 [4]	.33 [8]		
YA28L345				5/16	-----	1	1.49 [38]	.33 [8]	2.01 [51]	.34 [9]	.69 [18]	.14 [4]	.36 [9]		
YA28L390						2	1.62 [41]	.33 [8]	1.16 [29]	.34 [9]	.69 [18]	.14 [4]	.36 [9]		
YA28L445				3/8	-----	1	1.49 [38]	.40 [10]	2.14 [54]	.41 [10]	.69 [18]	.14 [4]	.42 [11]		
YA28L490						2	1.62 [41]	.40 [10]	1.29 [33]	.41 [10]	.69 [18]	.14 [4]	.42 [11]		

REV	DATE	DESCRIPTION	ECO	BY	C'H'K.
B	11/04/2011 09:30:00 AM	UPDATED TOOLING DETAILS AS PER MU	25809	BT	MA

CONNECTOR SIZE	TOLERANCES					
	B	C	K DIA.	L	N	O.D.
-8C THRU -25	±.06	±.04	±.02	±.09	±.03	±.01
-26 THRU -34	±.08	±.04	±.02	±.12	±.03	±.01
-35 AND UP	±.09	±.06	±.02	±.15	±.06	±.01

TOLERANCE BLOCK

CATALOG NO.	COLOR CODE	DIE INFORMATION		MECHANICAL RATCHET				HYDRAULIC					DIELESS (# CRIMPS)	WIRE STRIP LENGTH		
		DIE INDEX	TYPE	YIMRTC	OUR840	MD6 MD7	MD6--R2 MD7-34R	PATMD6 PAT600	Y34A Y34B Y34BH	Y35, Y39 Y750, PAT750	Y46 PAT46	Y45			Y48B	Y60BHU
YA28L45	PURPLE	15	PURPLE DIE SET	-----	X28RT(3)	X28RT(2) W28RT(2) W28VT(2)	X28RT(2) W28RT(2) W28VT(2)	X28RT(2) W28RT(2) W28VT(2)	-----	U28RT(1)	U28RT(1)	U28RT(1)	C28R(1)	L28RT(1)	MECHANICAL: MY29-3(1) MY29-11(1) MRC840(2)	1-1/8"
YA28L90			NEST	-----	-----	-----	-----	B28D(1) A28D(1)	U28D-1(1)	U28D-1(1)	U28D-1(1)	C28D(1)	-----	HYDRAULIC: Y644(1) Y81KFT(2) Y4PC834(2)		
			INDENTOR	-----	-----	-----	-----	Y34PR	Y34PR	Y34PR	Y34PR	Y48PR	-----			



- NOTES:
- MATERIAL : COPPER TUBING.
 - FINISH: ELECTRO-TIN PLATED.
 - CATALOG # PT6515 ADAPTOR IS REQUIRED TO USE "U" DIES IN Y45 SERIES TOOLS.
 - CATALOG # PUADP-1 ADAPTOR IS REQUIRED TO USE "U" DIES IN Y46 SERIES TOOLS.
 - Y35P3 INDENTOR ADAPTOR REQUIRED FOR Y34PR INDENTOR.
 - PERMANENT DIE IN TOOLING.
 - DIMENSIONS IN BRACKETS [] ARE IN MILLIMETERS ROUNDED OFF TO THE NEAREST MILLIMETER, UNLESS OTHERWISE NOTED, AND ARE FOR REFERENCE ONLY.
 - FOR USE BY CUSTOMERS THAT HAVE THIS HYPRESS™. NO NEW Y34A HYPRESS™ TOOLS ARE BEING PROCESSED. Y34A USES A--D NEST DIES ONLY.
 - CONNECTORS ARE UL LISTED; UNDRILLED VERSIONS ARE NOT UL LISTED.
 - CONNECTORS ARE CSA CERTIFIED; UNDRILLED VERSIONS ARE NOT CSA CERTIFIED.
 - FOR UNDRILLED VERSIONS ADD SUFFIX "-U" TO END OF CATALOG NUMBER. FOR UNDRILLED VERSIONS, USE D MIN. = N MAX. + Z MIN.
 - "X", "W-RT", "W-VT", "U", & "L" DIE SETS ARE COLOR CODED. "A", "B", AND "C" DIES ARE NOT COLOR CODED. NESTS AND INDENTOR TYPE ARE NOT COLOR CODED.

TO ORDER BURNDY® PRODUCTS CALL		COPPER HYLUG™	
UNITED STATES 1-800-346-4175 (LONDONDERRY, NH)		ITEM NO: N/A	CAT. NO: YA28-L-- (TABLE)
CANADA: 1-800-361-6975 (QUEBEC) 1-800-387-6487 (ALL OTHER PROVINCES)		DRAWN BY: J MICHAUD 12/08/94	CHECKER: D FELLION 12/08/94
FOR PRODUCT INFO: http://www.burndy.com		DSN APPVL: C PALAGI 12/08/94	MFG APPVL: --
		QA APPVL: C ACKERMAN 12/23/94	MKT APPVL: T NELSON 12/15/94
		PROJ #: --	SCALE: 1:1
		PROJ TYPE: Sales	SIZE: D
		REL LEVEL: Released	DRAWING NO: SE209240
			SHEET 18 OF 38

REV: PE0200