

DRAWING NO. SE209240	7			6		5		4		3		2		1	
	CATALOG NUMBER	CODE (AWG)	NAVY	METRIC SIZE (CLASS 2)	BOLT SIZE	METRIC BOLT SIZE	FIG. NO.	B	C	H REF.	K DIA.	L	N	O.D.	T REF.
YA30L745	300 Kcmil	300	150mm <sup>2</sup> STR [16.2]	5/8	M16	1	1.03 [26]	1.20 [30]	1.75 [44]	.69 [18]	2.85 [72]	.66 [17]	.81 [21]	.16 [4]	.67 [17]
2						1.89 [48]	.69 [18]	1.86 [47]	.66 [17]	.67 [17]					
YA30L2745				7/8	-----	1	1.75 [44]	.94 [24]	3.29 [83]	.88 [22]	.89 [23]				
2						1.03 [26]	1.20 [30]	1.89 [48]	.94 [24]	2.30 [58]	.88 [22]	.81 [21]	.16 [4]	.89 [23]	

REV	DATE	DESCRIPTION	ECO	BY	C'H'K.
B	11/04/2011 09:30:00 AM	UPDATED TOOLING DETAILS AS PER MU	25809	BT	MA

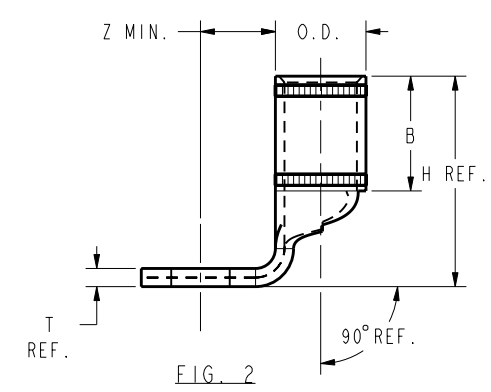
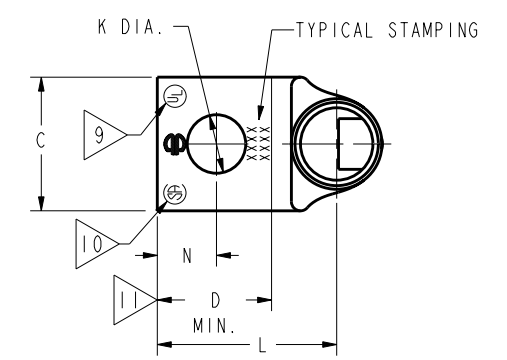
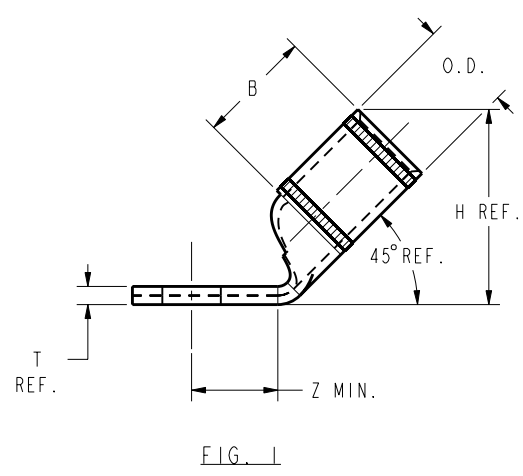
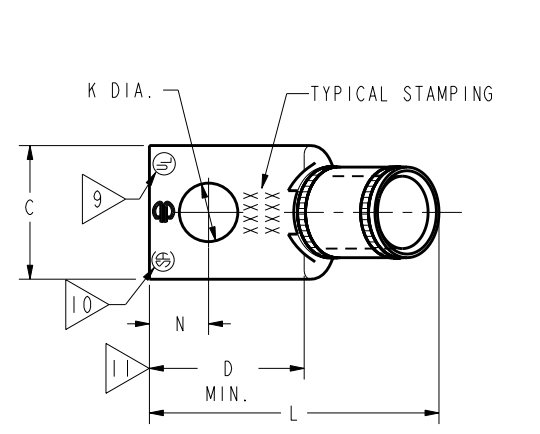
CONNECTOR SIZE	TOLERANCES					
	B	C	K DIA.	L	N	O.D.
-8C THRU -25	±.06	±.04	±.02	±.09	±.03	±.01
-26 THRU -34	±.08	±.04	±.02	±.12	±.03	±.01
-35 AND UP	±.09	±.06	±.02	±.15	±.06	±.01

TOLERANCE BLOCK

INSTALLATION TOOLING (# CRIMPS)																	
CATALOG NO.	COLOR CODE	DIE INFORMATION		MECHANICAL RATCHET				HYDRAULIC						DIELESS (# CRIMPS)	WIRE STRIP LENGTH		
		DIE INDEX	TYPE	6 YIMRTC	OUR840	MD6 MD7	MD6--R2 MD7-34R	PATMD6 PAT600	8 Y34A Y34B Y34BH	5 Y35, Y39 Y750, PAT750	5 4 Y46 PAT46	5 3 Y45	Y48B			Y60BHU	
YA30L745	WHITE	17 298	WHITE DIE SET	-----	-----	W30VT(2)	W30VT(2)	W30VT(2)	A28AR(1)	U30RT(2)	U30RT(2)	U30RT(2)	C30R(2)	L30RT(1)	HYDRAULIC: Y644(1) Y81KFT(2) Y4PC834(2)	1"	
YA30L790			NEST	-----	-----	-----	-----	B30D(1)	A30D(1)	U30D-1(1)	U30D-1(1)	U30D-1(1)	C30D(1)	-----			
YA30L2745			INDENTOR	-----	-----	-----	-----	-----	-----	Y34PR	Y34PR	Y34PR	Y34PR	Y48PR			-----
YA30L2790																	

NOTES:

- MATERIAL : COPPER TUBING.
- FINISH: ELECTRO-TIN PLATED.
- CATALOG # PT6515 ADAPTOR IS REQUIRED TO USE "U" DIES IN Y45 SERIES TOOLS.
- CATALOG # PUADP-1 ADAPTOR IS REQUIRED TO USE "U" DIES IN Y46 SERIES TOOLS.
- Y35P3 INDENTOR ADAPTOR REQUIRED FOR Y34PR INDENTOR.
- PERMANENT DIE IN TOOLING.
- DIMENSIONS IN BRACKETS [ ] ARE IN MILLIMETERS ROUNDED OFF TO THE NEAREST MILLIMETER, UNLESS OTHERWISE NOTED, AND ARE FOR REFERENCE ONLY.
- FOR USE BY CUSTOMERS THAT HAVE THIS HYPRESS™. NO NEW Y34A HYPRESS™ TOOLS ARE BEING PROCESSED. Y34A USES A--D NEST DIES ONLY.
- CONNECTORS ARE UL LISTED; UNDRILLED VERSIONS ARE NOT UL LISTED.
- CONNECTORS ARE CSA CERTIFIED; UNDRILLED VERSIONS ARE NOT CSA CERTIFIED.
- FOR UNDRILLED VERSIONS ADD SUFFIX "-U" TO END OF CATALOG NUMBER. FOR UNDRILLED VERSIONS, USE D MIN. = N MAX. + Z MIN.
- "X", "W-RT", "W-VT", "U", & "L" DIE SETS ARE COLOR CODED. "A", "B", AND "C" DIES ARE NOT COLOR CODED. NESTS AND INDENTOR TYPE ARE NOT COLOR CODED.



REFERENCE: SD079848

TO ORDER BURNDY® PRODUCTS CALL		COPPER HYLUG™	
UNITED STATES 1-800-346-4175 (LONDONDERRY, NH)		ITEM NO: N/A	SCALE: 1:1
CANADA: 1-800-361-6975 (QUEBEC) 1-800-387-6487 (ALL OTHER PROVINCES)		CAT. NO: YA30-L-- (TABLE)	REV
FOR PRODUCT INFO: <a href="http://www.burndy.com">http://www.burndy.com</a>		DRAWN BY: J MICHAUD 12/08/94	SE209240
		CHECKER: D FELLION 12/08/94	B
		DSN APPVL: C PALAGI 12/08/94	
		MFG APPVL: -- --	
		QA APPVL: C ACKERMAN 12/23/94	
		MKT APPVL: T NELSON 12/15/94	
		PROJ #: --	
		DOCUMENT TYPE: Sales	
		REL LEVEL: Released	

REV: PE0200