

DRAWING NO.
SE209240

CATALOG NUMBER	STRANDED COPPER CONDUCTOR ACCOMMODATED			BOLT SIZE	METRIC BOLT SIZE	FIG. NO.	DIMENSIONS								
	CODE (AWG)	NAVY	METRIC SIZE (CLASS 2)				B	C	H REF	K DIA.	L	N	O.D.	T REF.	Z MIN.
YA40L45	800 Kcmil	-----	400mm ² STR [26.1]	5/8	M16	1	1.42 [36]	1.98 [50]	2.70 [69]	.69 [18]	3.69 [94]	.66 [17]	1.35 [34]	.30 [8]	.67 [17]
YA40L90						2	1.42 [36]	1.98 [50]	3.02 [77]	↑	2.21 [56]	↑	1.35 [34]	.30 [8]	↑
YA41L45	850 Kcmil	-----	-----	5/8	M16	1	1.88 [48]	2.01 [51]	3.06 [78]	↓	4.03 [102]	↓	1.38 [35]	.31 [8]	↓
YA41L90						2	1.88 [48]	2.01 [51]	3.37 [86]	.69 [18]	2.23 [57]	.66 [17]	1.38 [35]	.31 [8]	.67 [17]

REV	DATE	DESCRIPTION	ECO	BY	C'H'K.
B	11/04/2011 09:30:00 AM	UPDATED TOOLING DETAILS AS PER MU	25809	BT	MA

CONNECTOR SIZE	TOLERANCES					
	B	C	K DIA.	L	N	O.D.
-8C THRU -25	±.06	±.04	±.02	±.09	±.03	±.01
-26 THRU -34	±.08	±.04	±.02	±.12	±.03	±.01
-35 AND UP	±.09	±.06	±.02	±.15	±.06	±.01

TOLERANCE BLOCK

INSTALLATION TOOLING (# CRIMPS)																
CATALOG NO.	COLOR CODE	DIE INFORMATION		MECHANICAL RATCHET				HYDRAULIC						DIELESS (# CRIMPS)	WIRE STRIP LENGTH	
		DIE INDEX	TYPE	5 YIMRTC	OUR840	MD6 MD7	MD6--R2 MD7-34R	PATMD6 PAT600	7 Y34A Y34B Y34BH	Y35, Y39 Y750, PAT750	4 Y46 PAT46	3 Y45	Y48B			Y60BHU
YA40L45	ORANGE	25	ORANGE DIE SET	-----	-----	-----	-----	-----	-----	-----	P40RT(3)	S40RT(3)	C40R(1)	L40RT(1)	HYDRAULIC: Y644(1) Y81KFT(3) Y4PC834(3)	1-15/16"
YA40L90			NEST	-----	-----	-----	-----	-----	-----	-----	P40D(1)	-----	C40D(1)	-----		
			INDENTOR	-----	-----	-----	-----	-----	-----	-----	P44PR	-----	Y48PR	-----		
YA41L45	GOLD	26	GOLD DIE SET	-----	-----	-----	-----	-----	-----	-----	-----	-----	-----	-----	HYDRAULIC: Y644(1) Y81KFT(3) Y4PC834(3)	1-15/16"
YA41L90			NEST	-----	-----	-----	-----	-----	-----	-----	-----	-----	C41D(1)	-----		
			INDENTOR	-----	-----	-----	-----	-----	-----	-----	P41D(1)	-----	Y48PR	-----		

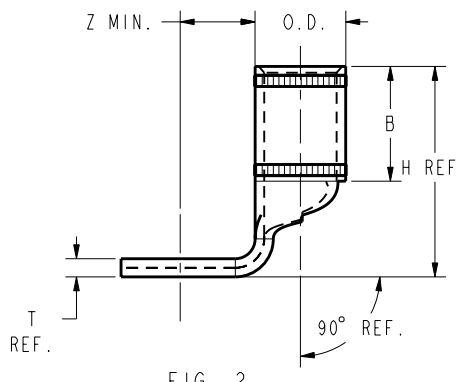
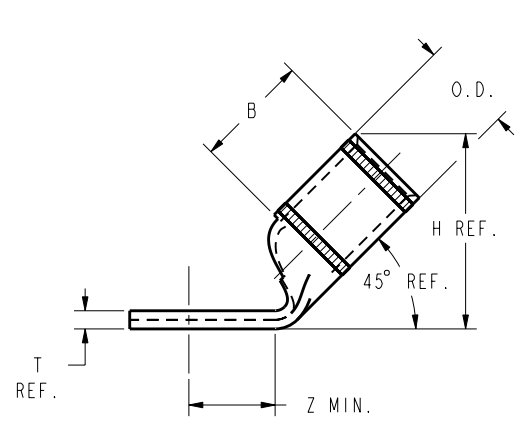
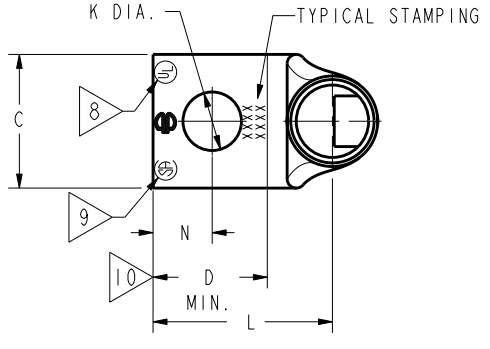
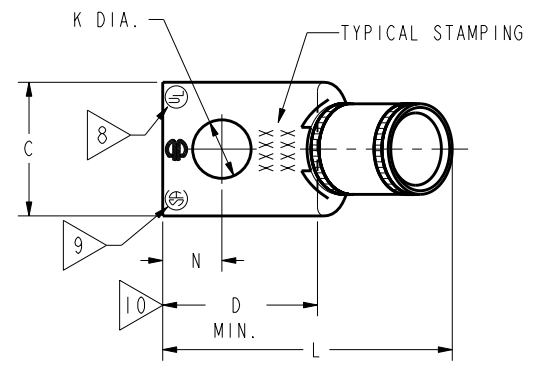


FIG. 1

FIG. 2

REFERENCE: SD079848

NOTES:

- MATERIAL : COPPER TUBING.
- FINISH: ELECTRO-TIN PLATED.
- CATALOG # PT6515 ADAPTOR IS REQUIRED TO USE "U" DIES IN Y45 SERIES TOOLS.
- CATALOG # PUADP-1 ADAPTOR IS REQUIRED TO USE "U" DIES IN Y46 SERIES TOOLS.
- PERMANENT DIE IN TOOLING.
- DIMENSIONS IN BRACKETS [] ARE IN MILLIMETERS ROUNDED OFF TO THE NEAREST MILLIMETER, UNLESS OTHERWISE NOTED, AND ARE FOR REFERENCE ONLY.
- FOR USE BY CUSTOMERS THAT HAVE THIS HYPRESS™. NO NEW Y34A HYPRESS™ TOOLS ARE BEING PROCESSED. Y34A USES A--D NEST DIES ONLY.
- CONNECTORS ARE UL LISTED; UNDRILLED VERSIONS ARE NOT UL LISTED.
- CONNECTORS ARE CSA CERTIFIED; UNDRILLED VERSIONS ARE NOT CSA CERTIFIED.
- FOR UNDRILLED VERSIONS ADD SUFFIX "-U" TO END OF CATALOG NUMBER. FOR UNDRILLED VERSIONS, USE D MIN. = N MAX. + Z MIN.
- "X", "W-RT", "W-VT", "U", & "L" DIE SETS ARE COLOR CODED. "A", "B", AND "C" DIES ARE NOT COLOR CODED. NESTS AND INDENTOR TYPE ARE NOT COLOR CODED.

TO ORDER BURNDY® PRODUCTS CALL		COPPER HYLUG™	
UNITED STATES 1-800-346-4175 (LONDONDERRY, NH)		ITEM NO: N/A	SCALE: 1:1
CANADA: 1-800-361-6975 (QUEBEC) 1-800-387-6487 (ALL OTHER PROVINCES)		CAT. NO: YA4-L-- (TABLE)	REV
FOR PRODUCT INFO: http://www.burndy.com		DRAWN BY: J MICHAUD 12/08/94	B
		CHECKER: D FELLION 12/08/94	
		DSN APPVL: C PALAGI 12/08/94	
		MFG APPVL: --	
		QA APPVL: C ACKERMAN 12/23/94	
		MKT APPVL: T NELSON 12/15/94	
		PROJ #: --	
		DOCUMENT TYPE: Sales	
		REL LEVEL: Released	
		PROJ #: --	
		SIZE: D	
		DRAWING NO: SE209240	
		SHEET 34 OF 38	

REV: PE0200