

DRAWING NO.
SE209240

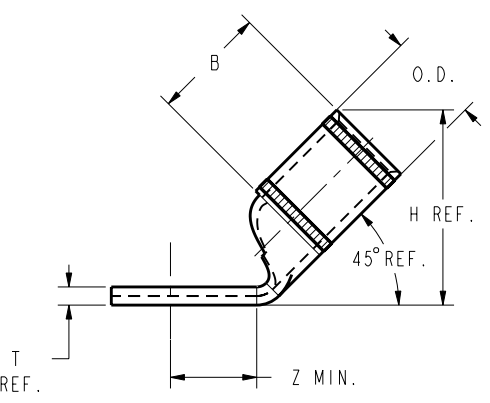
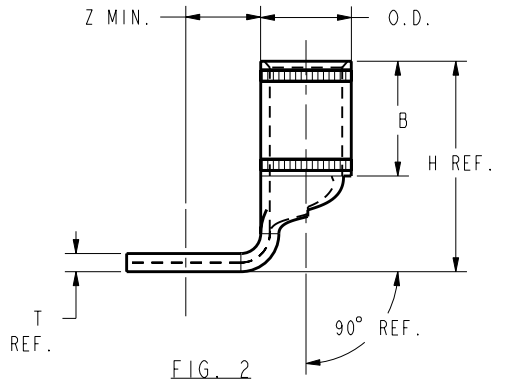
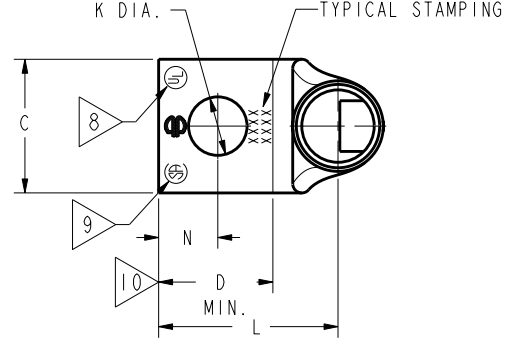
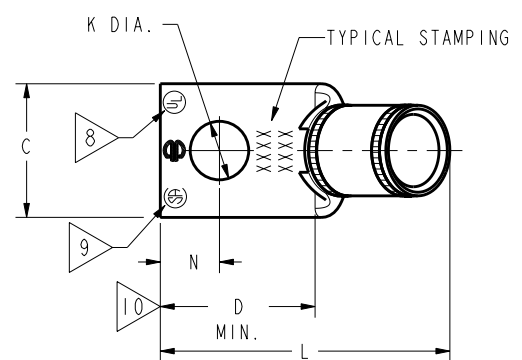
CATALOG NUMBER	STRANDED COPPER CONDUCTOR ACCOMMODATED			BOLT SIZE	METRIC BOLT SIZE	FIG. NO.	DIMENSIONS								
	CODE (AWG)	NAVY	METRIC SIZE (CLASS 2)				B	C	H REF.	K DIA.	L	N	O.D.	T REF.	Z MIN.
YA45L45	1250 Kcmil	-----	630mm ² STR [33.2]	3/4	-----	1	2.00 [51]	2.46 [62]	3.54 [90]	.81 [21]	4.64 [118]	.75 [19]	1.69 [43]	.38 [10]	.77 [20]
YA45L90						2	2.46 [62]	3.85 [98]	2.62 [67]	1.69 [43]	.38 [10]				
YA453L45	1300 Kcmil	-----	-----	3/4	-----	1	2.53 [64]	3.60 [91]	4.68 [119]	.81 [21]	2.65 [67]	.75 [19]	1.74 [44]	.39 [10]	.77 [20]
YA453L90						2	2.53 [64]	3.89 [99]	2.65 [67]	1.74 [44]	.39 [10]				

REV	DATE	DESCRIPTION	ECO	BY	C'H'K.
B	11/04/2011 09:30:00 AM	UPDATED TOOLING DETAILS AS PER MU	25809	BT	MA

CONNECTOR SIZE	TOLERANCES					
	B	C	K DIA.	L	N	O.D.
-8C THRU -25	±.06	±.04	±.02	±.09	±.03	±.01
-26 THRU -34	±.08	±.04	±.02	±.12	±.03	±.01
-35 AND UP	±.09	±.06	±.02	±.15	±.06	±.01

TOLERANCE BLOCK

CATALOG NO.	COLOR CODE	DIE INFORMATION		MECHANICAL RATCHET				HYDRAULIC					DIELESS (# CRIMPS)	WIRE STRIP LENGTH		
		DIE INDEX	TYPE	5 YIMRTC	OUR840	MD6 MD7	MD6--R2 MD7-34R	PATMD6 PAT600	7 Y34A Y34B Y34BH	Y35, Y39 Y750, PAT750	4 Y46 PAT46	3 Y45			Y48B	Y60BHU
YA45L45	YELLOW	29	YELLOW DIE SET	-----	-----	-----	-----	-----	-----	-----	P45RT(3)	S45RT(3)	C45R(2)	L45RT(2)	-----	2-1/16"
YA45L90			NEST	-----	-----	-----	-----	-----	-----	-----	P45D(1)	-----	C45D(1)	-----		
			INDENTOR	-----	-----	-----	-----	-----	-----	-----	P44PR	-----	Y48PR	-----		
YA453L45	ORANGE	30	ORANGE DIE SET	-----	-----	-----	-----	-----	-----	-----	-----	-----	-----	-----	-----	2-1/16"
YA453L90			NEST	-----	-----	-----	-----	-----	-----	-----	-----	-----	C453D(1)	-----		
			INDENTOR	-----	-----	-----	-----	-----	-----	-----	-----	-----	Y48PR	-----		



NOTES:

- MATERIAL : COPPER TUBING.
- FINISH: ELECTRO-TIN PLATED.
- CATALOG # PT6515 ADAPTOR IS REQUIRED TO USE "U" DIES IN Y45 SERIES TOOLS.
- CATALOG # PUADP-1 ADAPTOR IS REQUIRED TO USE "U" DIES IN Y46 SERIES TOOLS.
- PERMANENT DIE IN TOOLING.
- DIMENSIONS IN BRACKETS [] ARE IN MILLIMETERS ROUNDED OFF TO THE NEAREST MILLIMETER, UNLESS OTHERWISE NOTED, AND ARE FOR REFERENCE ONLY.
- FOR USE BY CUSTOMERS THAT HAVE THIS HYPRESS™. NO NEW Y34A HYPRESS™ TOOLS ARE BEING PROCESSED. Y34A USES A--D NEST DIES ONLY.
- CONNECTORS ARE UL LISTED; UNDRILLED VERSIONS ARE NOT UL LISTED.
- CONNECTORS ARE CSA CERTIFIED; UNDRILLED VERSIONS ARE NOT CSA CERTIFIED.
- FOR UNDRILLED VERSIONS ADD SUFFIX "-U" TO END OF CATALOG NUMBER. FOR UNDRILLED VERSIONS, USE D MIN. = N MAX. + Z MIN.
- "X", "W-RT", "W-VT", "U", & "L" DIE SETS ARE COLOR CODED. "A", "B", AND "C" DIES ARE NOT COLOR CODED. NESTS AND INDENTOR TYPE ARE NOT COLOR CODED.

REFERENCE: SD079848

TO ORDER BURNDY® PRODUCTS CALL		COPPER HYLUG™	
UNITED STATES 1-800-346-4175 (LONDONDERRY, NH)		ITEM NO: N/A	CAT. NO: YA45-L-- (TABLE)
CANADA: 1-800-361-6975 (QUEBEC) 1-800-387-6487 (ALL OTHER PROVINCES)		DRAWN BY: J MICHAUD 12/08/94	CHECKER: D FELLION 12/08/94
FOR PRODUCT INFO: http://www.burndy.com		DSN APPVL: C PALAGI 12/08/94	MFG APPVL: --
		QA APPVL: C ACKERMAN 12/23/94	MKT APPVL: T NELSON 12/15/94
		PROD FAM: CM&R COMPRESSION	DRAWING NO: SE209240
		PROJECT #: --	SCALE: 1:1
		DOCUMENT TYPE: Sales	REV: B
		REL LEVEL: Released	SHEET 36 OF 38

REV: PE0200