

DRAWING NO.
SE209240

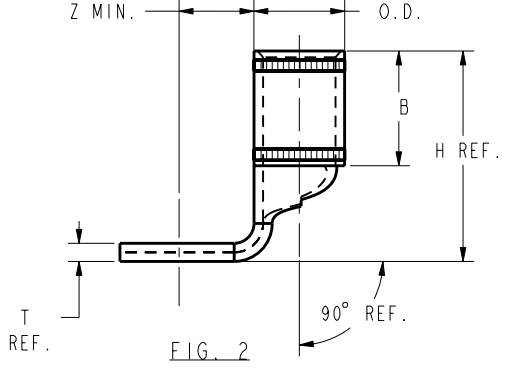
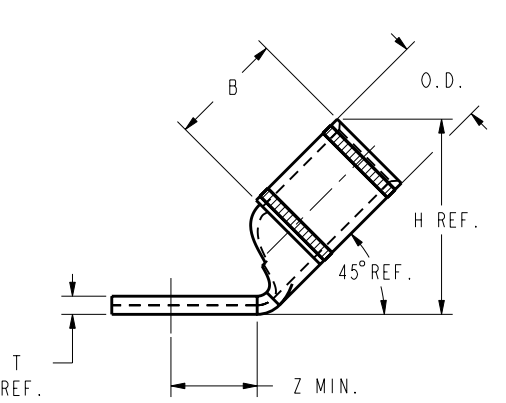
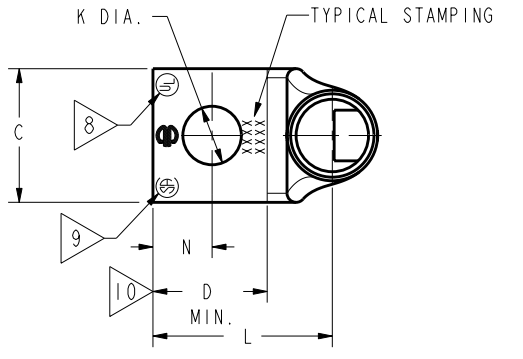
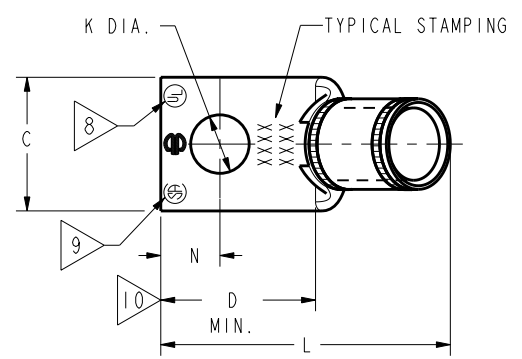
CATALOG NUMBER	STRANDED COPPER CONDUCTOR ACCOMMODATED			BOLT SIZE	METRIC BOLT SIZE	FIG. NO.	DIMENSIONS								
	CODE (AWG)	NAVY	METRIC SIZE (CLASS 2)				B	C	H REF.	K DIA.	L	N	O.D.	T REF.	Z MIN.
YA47L45	1750 Kcmil	-----	-----	3/4	-----	1	2.19 [56]	2.90 [74]	4.03 [102]	.81 [21]	5.00 [127]	.75 [19]	1.98 [50]	.42 [11]	.77 [20]
YA47L90						2	2.19 [56]	2.90 [74]	4.31 [109]		2.79 [71]		1.98 [50]	.42 [11]	
YA48L45	2000 Kcmil (1.632 DIA)	1600	1000mm ² STR [42.2]	3/4	-----	1	2.25 [57]	3.10 [79]	4.25 [108]	.81 [21]	5.19 [132]	.75 [19]	2.13 [54]	.46 [12]	.77 [20]
YA48L90						2	2.25 [57]	3.10 [79]	4.53 [115]		2.89 [73]		2.13 [54]	.46 [12]	

REV	DATE	DESCRIPTION	ECO	BY	C'H'K.
B	11/04/2011 09:30:00 AM	UPDATED TOOLING DETAILS AS PER MU	25809	BT	MA

CONNECTOR SIZE	TOLERANCES					
	B	C	K DIA.	L	N	O.D.
-8C THRU -25	±.06	±.04	±.02	±.09	±.03	±.01
-26 THRU -34	±.08	±.04	±.02	±.12	±.03	±.01
-35 AND UP	±.09	±.06	±.02	±.15	±.06	±.01

TOLERANCE BLOCK

CATALOG NO.	COLOR CODE	DIE INFORMATION		MECHANICAL RATCHET				HYDRAULIC					DIELESS (# CRIMPS)	WIRE STRIP LENGTH		
		DIE INDEX	TYPE	5 YIMRTC	OUR840	MD6 MD7	MD6--R2 MD7-34R	PATMD6 PAT600	7 Y34A Y34B Y34BH	Y35, Y39 Y750, PAT750	4 Y46 PAT46	3 Y45			Y48B	Y60BHU
YA47L45	GRAY	33	GRAY DIE SET	-----	-----	-----	-----	-----	-----	-----	-----	-----	C47R(2)	L47RT(2)	-----	2-1/4"
YA47L90			NEST	-----	-----	-----	-----	-----	-----	-----	-----	-----	C47D(1)	-----		
			INDENTOR	-----	-----	-----	-----	-----	-----	-----	-----	-----	Y48PR	-----		
YA48L45	BROWN	34	BROWN DIE SET	-----	-----	-----	-----	-----	-----	-----	-----	-----	-----	L48RT(3)	-----	2-3/8"
YA48L90			NEST	-----	-----	-----	-----	-----	-----	-----	-----	-----	C48D(1)	-----		
			INDENTOR	-----	-----	-----	-----	-----	-----	-----	-----	-----	Y48PR	-----		



NOTES:

- MATERIAL : COPPER TUBING.
- FINISH: ELECTRO-TIN PLATED.
- CATALOG # PT6515 ADAPTOR IS REQUIRED TO USE "U" DIES IN Y45 SERIES TOOLS.
- CATALOG # PUADP-1 ADAPTOR IS REQUIRED TO USE "U" DIES IN Y46 SERIES TOOLS.
- PERMANENT DIE IN TOOLING.
- DIMENSIONS IN BRACKETS [] ARE IN MILLIMETERS ROUNDED OFF TO THE NEAREST MILLIMETER, UNLESS OTHERWISE NOTED, AND ARE FOR REFERENCE ONLY.
- FOR USE BY CUSTOMERS THAT HAVE THIS HYPRESS™. NO NEW Y34A HYPRESS™ TOOLS ARE BEING PROCESSED. Y34A USES A--D NEST DIES ONLY.
- CONNECTORS ARE UL LISTED; UNDRILLED VERSIONS ARE NOT UL LISTED.
- CONNECTORS ARE CSA CERTIFIED; UNDRILLED VERSIONS ARE NOT CSA CERTIFIED.
- FOR UNDRILLED VERSIONS ADD SUFFIX "-U" TO END OF CATALOG NUMBER. FOR UNDRILLED VERSIONS, USE D MIN. = N MAX. + Z MIN.
- "X", "W-RT", "W-VT", "U", & "L" DIE SETS ARE COLOR CODED. "A", "B", AND "C" DIES ARE NOT COLOR CODED. NESTS AND INDENTOR TYPE ARE NOT COLOR CODED.

REFERENCE: SD079848

TO ORDER BURNDY® PRODUCTS CALL		COPPER HYLUG™	
UNITED STATES 1-800-346-4175 (LONDONDERRY, NH)		ITEM NO: N/A	SCALE: 1:1
CANADA: 1-800-361-6975 (QUEBEC) 1-800-387-6487 (ALL OTHER PROVINCES)		CAT. NO: YA4-L-- (TABLE)	REV
FOR PRODUCT INFO: http://www.burndy.com		DRAWN BY: J MICHAUD 12/08/94	B
		CHECKER: D FELLION 12/08/94	
		DSN APPVL: C PALAGI 12/08/94	
		MFG APPVL: --	
		QA APPVL: C ACKERMAN 12/23/94	
		MKT APPVL: T NELSON 12/15/94	
		PROJ #:	
		SIZE: D	
		DOCUMENT TYPE: Sales	
		REL LEVEL: Released	
		DRAWING NO: SE209240	
		SHEET 38 OF 38	

REV: PE0200