

DRAWING NO.
SE209241

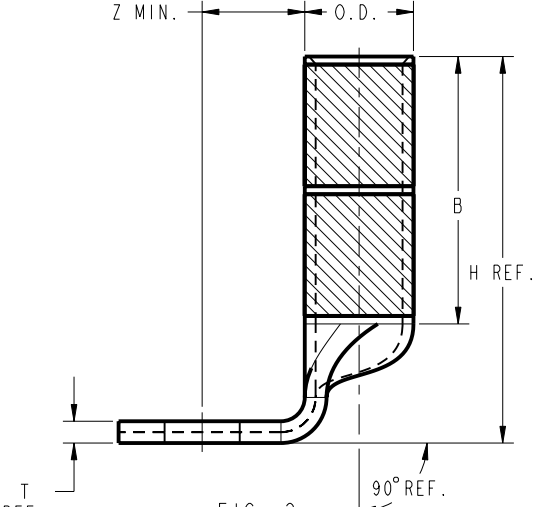
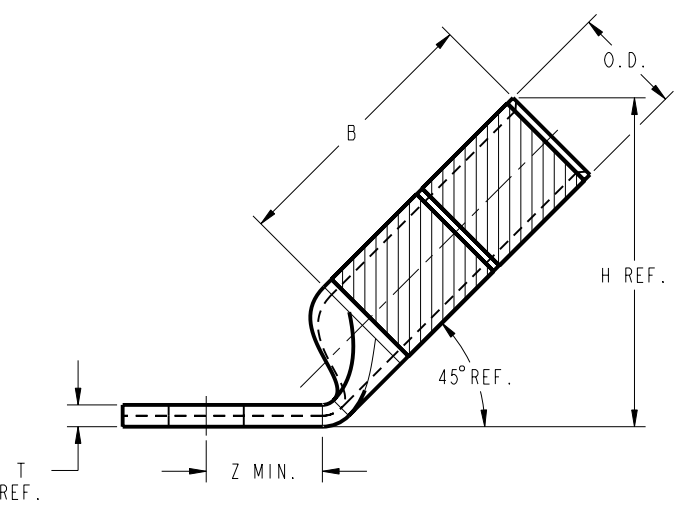
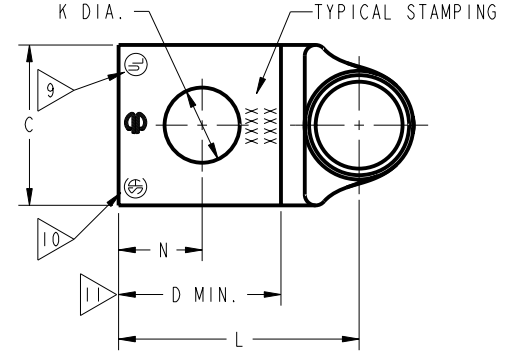
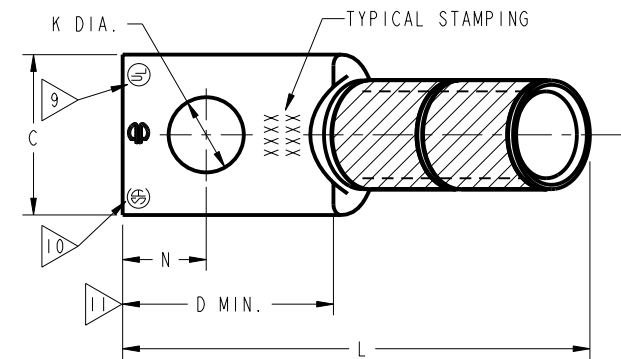
CATALOG NUMBER	STRANDED COPPER CONDUCTOR ACCOMMODATED			BOLT SIZE	METRIC BOLT SIZE	FIG. NO.	DIMENSIONS								
	CODE (AWG)	NAVY	METRIC SIZE (CLASS 2)				B	C	H REF.	K DIA.	L	N	O.D.	T REF.	Z MIN.
YA2745	3/0 AWG	150	-----	1/2	M12	1	1.50 [38]	.91 [23]	1.86 [47]	.53 [13]	2.78 [71]	.53 [13]	.62 [16]	.13 [3]	.55 [14]
YA2790						2	2.19 [56]	.53 [13]	1.49 [38]	.53 [13]	.62 [16]	.13 [3]	.55 [14]		
YA27N45				1	1.86 [47]	.56 [14]	2.97 [75]	.63 [16]	.64 [16]	.13 [3]	.64 [16]				
YA27N90				2	1.50 [38]	.91 [23]	2.19 [56]	.56 [14]	1.68 [48]	.63 [16]	.62 [16]	.13 [3]	.64 [16]		

REV	DATE	DESCRIPTION	ECO	BY	CHK	MA
B	11/09/2011 00:00:00 AM	TOOLING DETAILS UPDATED AS PER MARKUP	25811	DK	MA	

CONNECTOR SIZE	TOLERANCES					
	B	C	K DIA.	L	N	O.D.
-8C THRU -25	±.06	±.04	±.02	±.09	±.03	±.01
-26 THRU -34	±.08	±.04	±.02	±.12	±.03	±.01
-35 AND UP	±.09	±.06	±.02	±.15	±.06	±.01

TOLERANCE BLOCK

CATALOG NO.	DIE INFORMATION			MECHANICAL RATCHET				HYDRAULIC						DIELESS (# CRIMPS)	WIRE STRIP LENGTH	
	COLOR CODE	DIE INDEX	TYPE	YIMRTC	OUR840	MD6 MD7	MD6--R2 MD7-34R	PATMD6 PAT600	Y34A Y34B Y34BH	Y35, Y39 Y750, BAT35 PAT750	Y46 PAT46	Y45	Y48B			Y60BHU
YA2745 YA2790 YA27N45 YA27N90	ORANGE	14	ORANGE DIE SET	-----	X27RT(6)	X27RT(6) W27RT(4) W27VT(4)	X27RT(6) W27RT(4) W27VT(4)	X27RT(6) W27RT(4) W27VT(4)	-----	U27RT(2)	U27RT(2)	U27RT(2)	-----	-----	MECHANICAL: MY29-3(2) MY29-11(2) MRC840(4) HYDRAULIC: Y644(1) Y81KFT(2) YY4PC834(2)	1-9/16"
NEST INDENTOR			-----	-----	-----	-----	B27D(1) A27D(1) Y34PR	U27D-1(1) Y34PR	U27D-1(1) Y34PR	U27D-1(1) Y34PR	-----	-----				



- NOTES:
- MATERIAL : COPPER TUBING.
 - FINISH: ELECTRO-TIN PLATED.
 - CATALOG # PT6515 ADAPTOR IS REQUIRED TO USE "U" DIES IN Y45 SERIES TOOLS.
 - CATALOG # PUADP-1 ADAPTOR IS REQUIRED TO USE "U" DIES IN Y46 SERIES TOOLS.
 - Y35P3 INDENTOR ADAPTOR REQUIRED FOR Y34PR INDENTOR.
 - PERMANENT DIE IN TOOLING.
 - DIMENSIONS IN BRACKETS [] ARE IN MILLIMETERS ROUNDED OFF TO THE NEAREST MILLIMETER, UNLESS OTHERWISE NOTED, AND ARE FOR REFERENCE ONLY.
 - FOR USE BY CUSTOMERS THAT HAVE THIS HYPRESS™. NO NEW Y34A HYPRESSES™ ARE BEING PROCESSED. Y34A USES A--D NEST DIES ONLY.
 - CONNECTORS ARE UL LISTED; UNDRILLED VERSIONS ARE NOT UL LISTED.
 - CONNECTORS ARE CSA CERTIFIED; UNDRILLED VERSIONS ARE NOT CSA CERTIFIED.
 - FOR UNDRILLED VERSIONS ADD SUFFIX "-U" TO END OF CATALOG NUMBER. FOR UNDRILLED VERSIONS, USE D MIN. = N MAX. + Z MIN.
 - "X", "W-RT", "W-VT", "U", & "L" DIE SETS ARE COLOR CODED. "A", "B", AND "C" DIES ARE NOT COLOR CODED. NESTS AND INDENTOR TYPE ARE NOT COLOR CODED.

REFERENCE: SD79849

TO ORDER BURNDY® PRODUCTS CALL		COPPER HYLUG™	
UNITED STATES 1-800-346-4175 (LONDONDERRY, NH)		ITEM NO: N/A	CAT. NO: YA-45, -90 / YA-N-45, -90
CANADA: 1-800-361-6975 (QUEBEC) 1-800-387-6487 (ALL OTHER PROVINCES)		DRAWN BY: J. MITCHAUD 1/17/95	CHECKER: D. FILLION 1/17/95
FOR PRODUCT INFO: http://www.burndy.com		DSN APPVL: C. PALAGI 1/18/95	MFG APPVL: N/A
		QA APPVL: C. ACKERMAN 2/03/95	MKT APPVL: T. NELSON 1/20/95
		PROJ #:	SCALE: NTS
		SIZE: D	DRAWING NO: SE209241
		DOCUMENT TYPE: Sales	REV: B
		REL LEVEL: Released	SHEET 13 OF 32

REV: PE0200