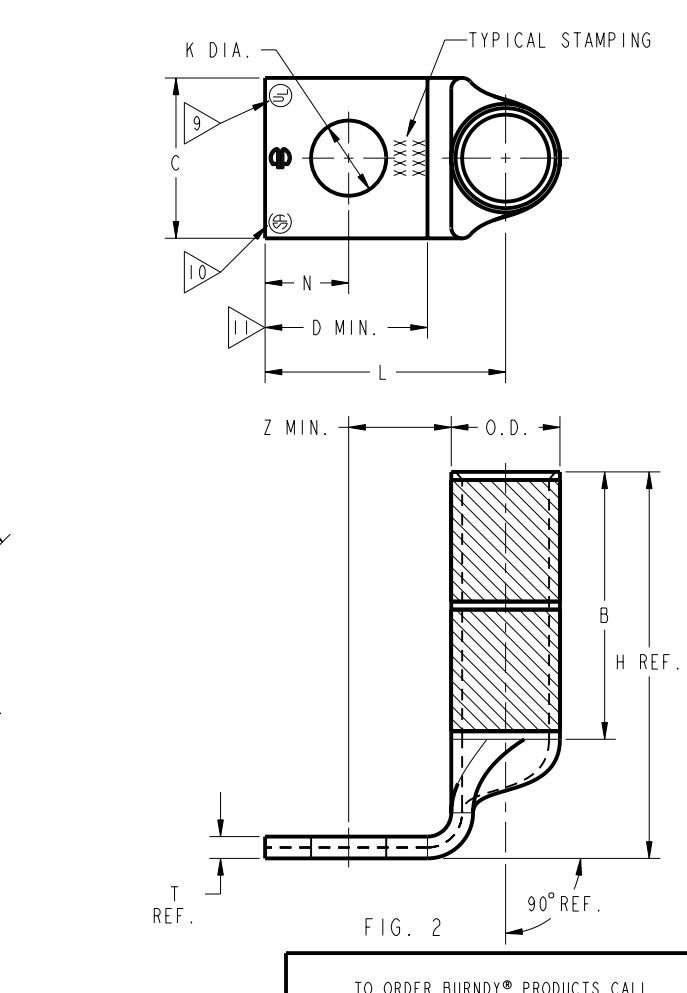
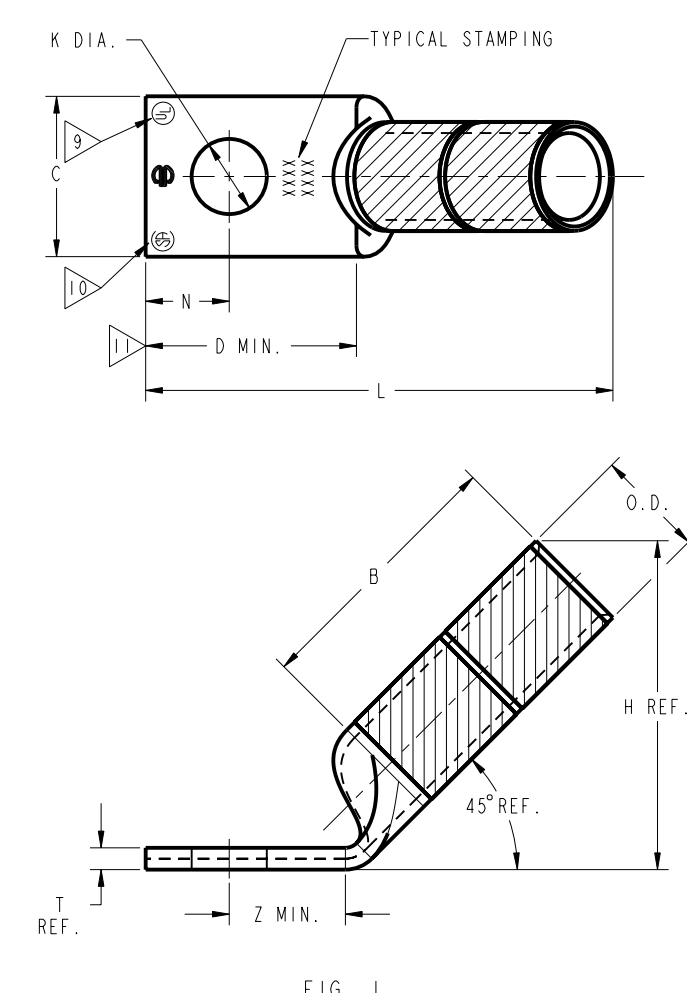


DRAWING NO. SE209241		7		6		5		4		3		2		1											
D	CATALOG NUMBER	STRANDED COPPER CONDUCTOR CODE (AWG)	NAVY	ACCOMMODATED METRIC SIZE (CLASS 2)	BOLT SIZE	METRIC BOLT SIZE	FIG. NO.	DIMENSIONS							REV. B	DATE 11/09/2011 00:00:00 AM	DESCRIPTION TOOLING DETAILS UPDATED AS PER MARKUP	ECO 25811	BY DK	IC'H'K. MA					
	YA2945	250 kcmil	250	120mm ² STR [14.5]	1/2	M12	1	B	C	H REF.	K DIA.	L	N	O.D.	T REF.	Z MIN.	TOLERANCES								
	YA2990						2																		
	YA29N45						1																		
	YA29N90						2																		
	YA29TC3845						1																		
	YA29TC3890						2																		
CONNECTION TOLERANCES																									
CONNECTOR SIZE		B	C	K DIA.	L	N	O.D.																		
-8C THRU -25		±.06	±.04	±.02	±.09	±.03	±.01																		
-26 THRU -34		±.08	±.04	±.02	±.12	±.03	±.01																		
-35 AND UP		±.09	±.06	±.02	±.15	±.06	±.01																		

INSTALLATION TOOLING (# CRIMPS)																
CATALOG NO.	DIE INFORMATION			MECHANICAL RATCHET				HYDRAULIC					DIELESS (# CRIMPS)	WIRE STRIP LENGTH		
	COLOR CODE	DIE INDEX	TYPE	YIMRTC	OUR840	MD6 MD7	MD6--R2 MD7-34R	PATMD6 PAT600	8 Y34A Y34B Y34BH	5 Y750, BAT35 PAT750	5 Y46 PAT46	5 Y45			Y48B	Y60BHU
YA2945 YA2990 YA29N45 YA29N90 YA29TC3845 YA29TC3890	YELLOW	16	YELLOW DIE SET NEST INDENTOR	-----	X29RT(8)	X29RT(8) W29VT(4)	X29RT(8) W29RT(4) W29VT(4)	X29RT(8) W29VT(4) W29RT(4)	A29R(2)	U29RT(2)	U29RT(2)	U29RT(2)	C29R(2)	L29RT(1)	MECHANICAL: MY29-3(2) MY29-11(2) HYDRAULIC: Y644(1) Y81KFT(2) YY4PC834(2)	1-11/16"

- NOTES:
- MATERIAL: COPPER TUBING.
 - FINISH: ELECTRO-TIN PLATED.
 - CATALOG # PT6515 ADAPTOR IS REQUIRED TO USE "U" DIES IN Y45 SERIES TOOLS.
 - CATALOG # PUADP-1 ADAPTOR IS REQUIRED TO USE "U" DIES IN Y46 SERIES TOOLS.
 - Y35P3 INDENTOR ADAPTOR REQUIRED FOR Y34PR INDENTOR.
 - PERMANENT DIE IN TOOLING.
 - DIMENSIONS IN BRACKETS [] ARE IN MILLIMETERS ROUNDED OFF TO THE NEAREST MILLIMETER UNLESS OTHERWISE NOTED, AND ARE FOR REFERENCE ONLY.
 - FOR USE BY CUSTOMERS THAT HAVE THIS HYPRESS™. NO NEW Y34A HYPRESSES™ ARE BEING PROCESSED. Y34A USES A--D NEST DIES ONLY.
 - CONNECTORS ARE UL LISTED; UNDRILLED VERSIONS ARE NOT UL LISTED.
 - CONNECTORS ARE CSA CERTIFIED; UNDRILLED VERSIONS ARE NOT CSA CERTIFIED.
 - FOR UNDRILLED VERSIONS ADD SUFFIX "-U" TO END OF CATALOG NUMBER. FOR UNDRILLED VERSIONS, USE D MIN. = N MAX. + Z MIN.
 - "X", "W-RT", "W-VT", "U", & "L" DIE SETS ARE COLOR CODED. "A", "B", AND "C" DIES ARE NOT COLOR CODED. NESTS AND INDENTOR TYPE ARE NOT COLOR CODED.



TO ORDER BURNDY® PRODUCTS CALL
 UNITED STATES
 1-800-346-4175 (LONDONDERRY, NH)
 CANADA:
 1-800-361-6975 (QUEBEC)
 1-800-387-6487 (ALL OTHER PROVINCES)
 FOR PRODUCT INFO: <http://www.burndy.com>

COPPER HYLUG™

ITEM NO:	N/A
CAT. NO:	YA29-- (TABLE)
DRAWN BY:	J. MICHAUD 1/17/95
CHECKER:	D. FILLION 1/17/95
DSN APPVL:	C. PALAGI 1/18/95
MFG APPVL:	N/A
QA APPVL:	C. ACKERMAN 2/03/95
MKT APPVL:	N/A
PROD FAM:	CM&R COMPRESSION
PROJECT #:	---
DOCUMENT TYPE:	Sales
REL LEVEL:	Released

SCALE: NTS

DRAWING NO	REV
SE209241	B
SHEET 15 OF 32	

REV: PE0200