

DRAWING NO. SE209241	7			6		5		4		3		2		1										
	CATALOG NUMBER	STRANDED COPPER CONDUCTOR ACCOMMODATED CODE (AWG)	NAVY	METRIC SIZE (CLASS 2)	BOLT SIZE	METRIC BOLT SIZE	FIG. NO.	DIMENSIONS								REVI	DATE	DESCRIPTION	ECO	BY	C'H'K.			
							B	C	H REF.	K DIA.	L	N	O.D.	T REF.	Z MIN.	B	11/09/2011 00:00:00 AM	TOOLING DETAILS UPDATED AS PER MARKUP	25811	DK	MA			
YA3045	300 kcmil	300	150mm ² STR [16.2]	1/2	M12	1	2.00 [51]	1.20 [30]	2.46 [62]	.53 [13]	3.31 [84]	.53 [13]	.81 [21]	.16 [4]	.55 [14]									
YA3090						2	2.89 [73]	1.61 [41]	.53 [13]	.53 [13]														
YA30N45				1/2	M12	1	2.46 [62]	.56 [14]	3.50 [89]	.63 [16]							.64 [16]							
YA30N90						2	2.89 [73]	.56 [14]	1.80 [46]	.63 [16]								.64 [16]						

CONNECTOR SIZE	TOLERANCES					
	B	C	K DIA.	L	N	O.D.
-8C THRU -25	±.06	±.04	±.02	±.09	±.03	±.01
-26 THRU -34	±.08	±.04	±.02	±.12	±.03	±.01
-35 AND UP	±.09	±.06	±.02	±.15	±.06	±.01

TOLERANCE BLOCK

INSTALLATION TOOLING (# CRIMPS)																
CATALOG NO.	DIE INFORMATION			MECHANICAL RATCHET				HYDRAULIC						DIELESS (# CRIMPS)	WIRE STRIP LENGTH	
	COLOR CODE	DIE INDEX	TYPE	YIMRTC	OUR840	MD6 MD7	MD6--R2 MD7-34R	PATMD6 PAT600	Y34A Y34B Y34BH	Y35, Y39 Y750, BAT35 PAT750	Y46 PAT46	Y45	Y48B			Y60BHU
YA3045 YA3090 YA30N45 YA30N90	WHITE	17 298	WHITE DIE SET NEST INDENTOR	----- -----	----- -----	W30VT(4) -----	W30RT(4) W30VT(4)	W30VT(4) W30RT(4)	A28AR(2)	U30RT(4) U28ART(4)	U30RT(4) U28ART(4)	U30RT(4) U28ART(4)	C30R(1) C28AR(1)	L30RT(1)	HYDRAULIC: Y644(1) Y81KFT(3) YY4PC834(3)	2-1/16"

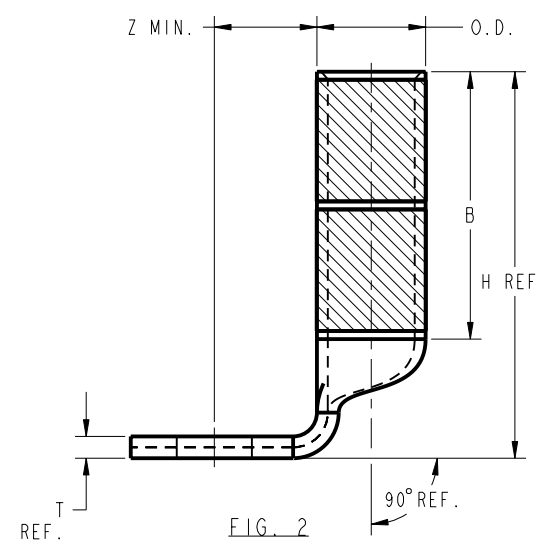
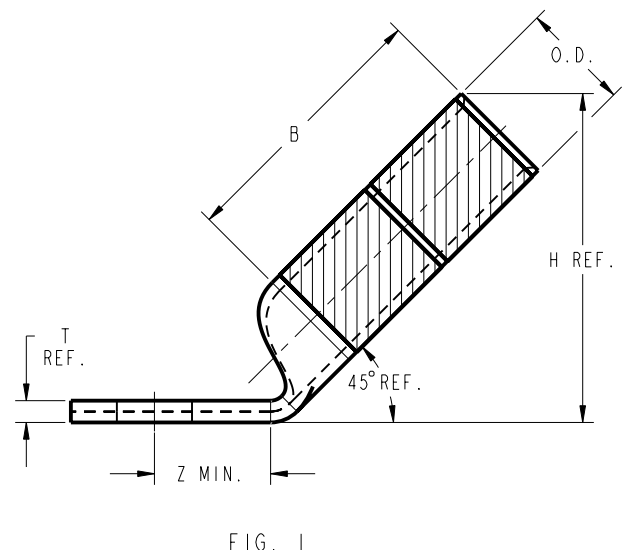
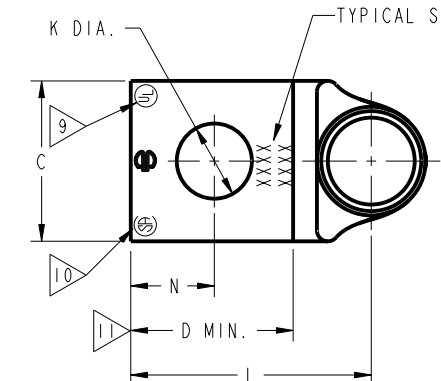
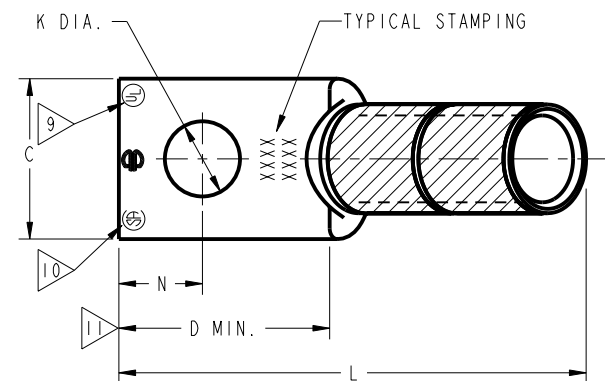


FIG. 1

FIG. 2

REFERENCE: SD79849

NOTES:

- MATERIAL : COPPER TUBING.
- FINISH: ELECTRO-TIN PLATED.
- CATALOG # PT6515 ADAPTOR IS REQUIRED TO USE "U" DIES IN Y45 SERIES TOOLS.
- CATALOG # PUADP-1 ADAPTOR IS REQUIRED TO USE "U" DIES IN Y46 SERIES TOOLS.
- Y35P3 INDENTOR ADAPTOR REQUIRED FOR Y34PR INDENTOR.
- PERMANENT DIE IN TOOLING.
- DIMENSIONS IN BRACKETS [] ARE IN MILLIMETERS ROUNDED OFF TO THE NEAREST MILLIMETER, UNLESS OTHERWISE NOTED, AND ARE FOR REFERENCE ONLY.
- FOR USE BY CUSTOMERS THAT HAVE THIS HYPRESS™. NO NEW Y34A HYPRESSES™ ARE BEING PROCESSED. Y34A USES A--D NEST DIES ONLY.
- CONNECTORS ARE UL LISTED; UNDRILLED VERSIONS ARE NOT UL LISTED.
- CONNECTORS ARE CSA CERTIFIED; UNDRILLED VERSIONS ARE NOT CSA CERTIFIED.
- FOR UNDRILLED VERSIONS ADD SUFFIX "-U" TO END OF CATALOG NUMBER. FOR UNDRILLED VERSIONS, USE D MIN. = N MAX. + Z MIN.
- "X", "W-RT", "W-VT", "U", & "L" DIE SETS ARE COLOR CODED. "A", "B", AND "C" DIES ARE NOT COLOR CODED. NESTS AND INDENTOR TYPE ARE NOT COLOR CODED.

TO ORDER BURNDY® PRODUCTS CALL		COPPER HYLUG™	
UNITED STATES 1-800-346-4175 (LONDONDERRY, NH)		ITEM NO: N/A	CAT. NO: YA-45, -90 / YA-N-45, -90
CANADA: 1-800-361-6975 (QUEBEC) 1-800-387-6487 (ALL OTHER PROVINCES)		DRAWN BY: J. MITCHAUD 1/17/95	CHECKER: D. FILLION 1/17/95
FOR PRODUCT INFO: http://www.burndy.com		DSN APPVL: C. PALAGI 1/18/95	MFG APPVL: N/A
		QA APPVL: C. ACKERMAN 2/03/95	MKT APPVL: T. NELSON 1/20/95
		PROD FAM: CM&R COMPRESSION	DRAWING NO: SE209241
		PROJECT #: --	SCALE: NTS
		DOCUMENT TYPE: Sales	REV: B
		REL LEVEL: Released	SHEET 16 OF 32

REV: PE0200