

DRAWING NO.
SE209512

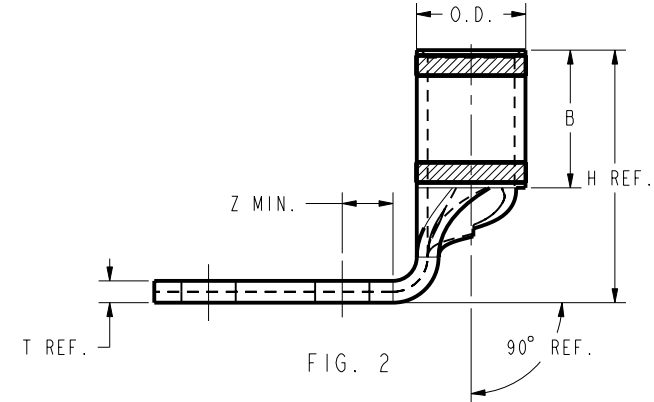
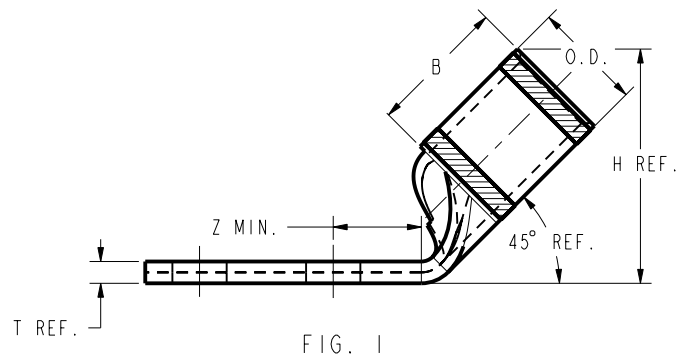
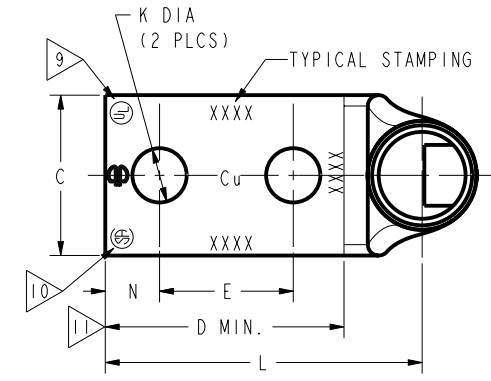
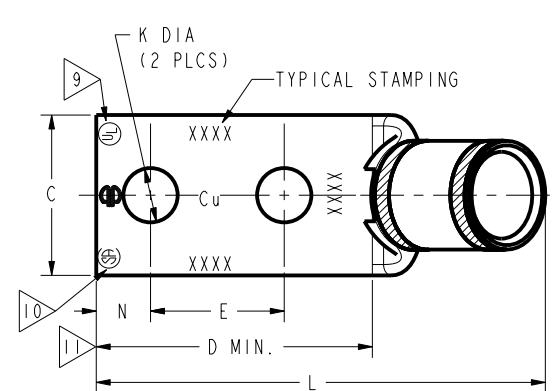
CATALOG NUMBER	STRANDED COPPER CONDUCTOR ACCOMMODATED			BOLT SIZE	METRIC BOLT SIZE	FIG. NO.	DIMENSIONS									
	CODE (AWG)	NAVY	METRIC SIZE (CLASS 2)				B	C	E	H REF	K DIA	L	N	O.D.	T REF	Z MIN
YA4CL2TC14E145	#4 AWG	40	-----	1/4	M6	1	.81 [21]	.50 [13]	1.00 [25]	1.02 [26]	.27 [7]	2.64 [67]	.31 [8]	.34 [9]	.09 [2]	.33 [8]
2						.50 [13]	1.22 [31]	.27 [7]	1.91 [49]	.31 [8]	.33 [8]					
YA4CL2TC14E190				5/16	-----	1	.52 [13]	1.02 [26]	.33 [8]	2.70 [69]	.34 [9]	.36 [9]				
2						.81 [21]	.52 [13]	1.22 [31]	.33 [8]	1.97 [50]	.34 [9]	.34 [9]	.09 [2]	.36 [9]		

REV	DATE	DESCRIPTION	ECO	BY	CHK	MA
B	3/20/2010 9:00:00 PM	REDRAWN IN PROE	18198	DK		

CONNECTOR SIZE	TOLERANCES						
	B	C	E	K DIA	L	N	O.D.
-8C THRU -25	±.06	±.04 ±.02	±.02	±.02	±.09	±.03	±.01
-26 THRU -34	±.08	±.04 ±.02	±.02	±.02	±.12	±.03	±.01
-35 AND UP	±.09	±.06	±.02	±.02	±.15	±.06	±.01

TOLERANCE BLOCK

CATALOG NO.	COLOR CODE	DIE INFORMATION			MECHANICAL					HYDRAULIC					DIELESS (# CRIMPS)	WIRE STRIP LENGTH
		DIE INDEX	TYPE	Y2MR	OUR840	MD6 MD7	MD6--R2 BAT500	MD7-34R	Y34A Y34B Y34BH	Y35, Y39 Y750, BAT35 BAT750	Y46	Y45	Y48B	Y60BHU		
YA4CL2TC14E145 YA4CL2TC14E190 YA4CL2TC51645 YA4CL2TC51690	GRAY	8 346	GRAY DIE SET NEST INDENTOR	GRAY (2)	X4CRT(1)	W4CRT(1) W4CVT(1)	W4CRT(1) W4CVT(1)	W4CRT(1) W4CVT(1)	-----	U4CRT(1) U6CABT(1)	U4CRT(1) U6CABT(1)	U4CRT(1) U6CABT(1)	-----	-----	MECHANICAL: MY29-3(1) MY29-11(1) HYDRAULIC, Y644M(1) BAT644M(1)	7/8"



- NOTES:
- MATERIAL: COPPER TUBING.
 - FINISH: ELECTRO-TIN PLATED.
 - CATALOG# PT6515 ADAPTOR IS REQUIRED TO USE "U" DIES IN Y45 SERIES TOOLS.
 - CATALOG# PUADP-1 ADAPTOR IS REQUIRED TO USE "U" DIES IN Y46 SERIES TOOLS.
 - Y35P3 INDENTOR ADAPTOR REQUIRED FOR Y34PR INDENTOR.
 - PERMANENT DIE IN TOOLING.
 - DIMENSIONS IN BRACKETS [] ARE IN MILLIMETERS ROUNDED OFF TO THE NEAREST MILLIMETER, UNLESS OTHERWISE NOTED, AND ARE FOR REFERENCE ONLY.
 - FOR USE BY CUSTOMERS THAT HAVE THIS HYPRESS™. NO NEW Y34A HYPRESS™ TOOLS ARE BEING PROCESSED. Y34A USES A--D NEST DIES ONLY.
 - CONNECTORS ARE UL LISTED; UNDRILLED VERSIONS ARE NOT UL LISTED.
 - CONNECTORS ARE CSA CERTIFIED; UNDRILLED VERSIONS ARE NOT CSA CERTIFIED.
 - FOR UNDRILLED VERSIONS ADD SUFFIX "-U" TO END OF CATALOG NUMBER. FOR UNDRILLED VERSIONS, USE D MIN. = N MAX. + E MIN. + Z MIN.
 - "X", "W-RT", "W-VT", "U", & "L" DIE SETS ARE COLOR CODED. "A", "B", AND "C" DIES ARE NOT COLOR CODED. NESTS AND INDENTOR TYPE ARE NOT COLOR CODED.

REFERENCE: SD035209

TO ORDER BURNDY® PRODUCTS CALL		COPPER HYLUG™	
UNITED STATES 1-800-346-4175 (LONDONDERRY, NH)		ITEM NO: --	DRAWING NO
CANADA: 1-800-361-6975 (QUEBEC) 1-800-387-6487 (ALL OTHER PROVINCES)		CAT. NO: YA4CL-2TC- (TABLE)	REV
FOR PRODUCT INFO: http://www.burndy.com		DRAWN BY: J. MICHARD 02/03/95	SCALE: 1:1
		CHECKER: D. FILLION 02/21/95	SIZE
		DSN APPVL: C. PALAGI 03/09/95	D
		MFG APPVL: N/A	SE209512
		QA APPVL: C. ACKERMAN 04/03/95	SHEET 9 OF 52
		MKT APPVL: T. NELSON 03/13/95	B
		PROJ #:	
		DOC TYPE: Sales	
		REL LEVEL: Released	

REV: PE0200