

DRAWING NO.
SE209512

CATALOG NUMBER	STRANDED COPPER CONDUCTOR ACCOMMODATED			BOLT SIZE	METRIC BOLT SIZE	FIG. NO.	DIMENSIONS									
	CODE (AWG)	NAVY	METRIC SIZE (CLASS 2)				B	C	E	H REF	K DIA	L	N	O.D.	T REF	Z MIN
YA2CL2TC1445	#2 AWG	60	-----	1/4	M6	1	.88 [22]	.60 [15]	.63 [16]	1.15 [29]	.27 [7]	2.38 [60]	.31 [8]	.42 [11]	.11 [3]	.33 [8]
YA2CL2TC1490						2	.63 [16]	.75 [19]	1.37 [35]	1.58 [40]	.31 [8]	.42 [11]	.11 [3]	.33 [8]		
YA2CL2TC14E245						1	.75 [19]	1.15 [29]	1.58 [40]	2.51 [64]	.31 [8]	.42 [11]	.11 [3]	.33 [8]		
YA2CL2TC14E290						2	.75 [19]	1.37 [35]	1.71 [43]	2.77 [70]	.31 [8]	.42 [11]	.11 [3]	.33 [8]		
YA2CL2TC14E145						1	1.00 [25]	1.15 [29]	2.77 [70]	3.01 [76]	.31 [8]	.42 [11]	.11 [3]	.33 [8]		
YA2CL2TC14E190						2	1.00 [25]	1.37 [35]	1.96 [50]	2.21 [56]	.31 [8]	.42 [11]	.11 [3]	.33 [8]		
YA2CL2TC14E1045						1	1.25 [32]	1.37 [35]	2.21 [56]	2.21 [56]	.31 [8]	.42 [11]	.11 [3]	.33 [8]		
YA2CL2TC14E1090						2	1.25 [32]	1.37 [35]	2.21 [56]	2.21 [56]	.31 [8]	.42 [11]	.11 [3]	.33 [8]		

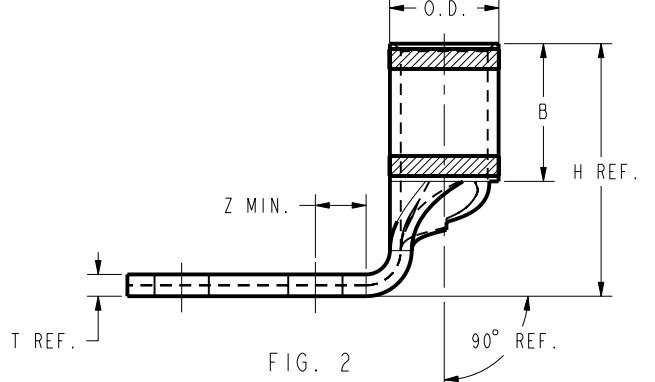
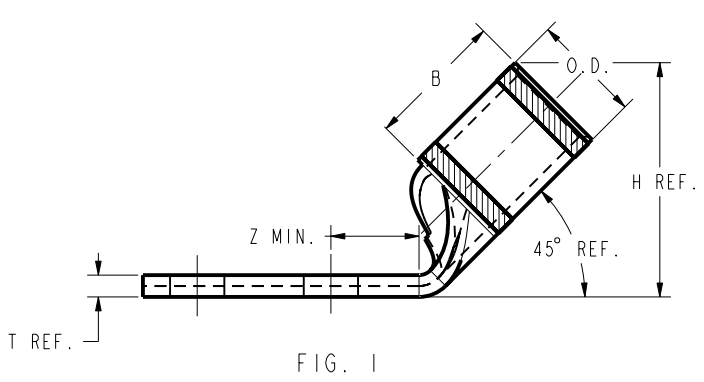
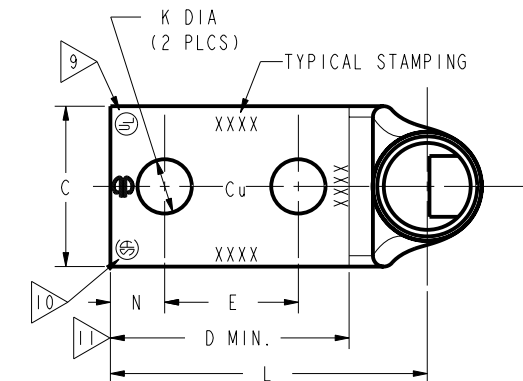
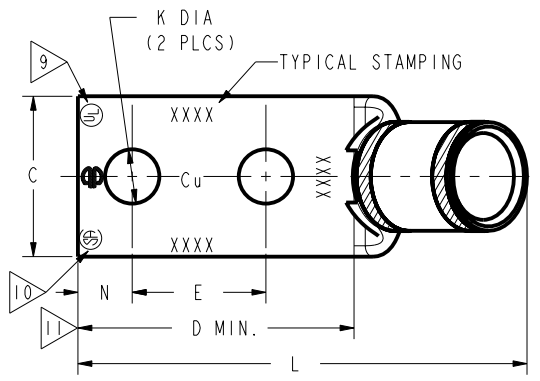
REV	DATE	DESCRIPTION	ECO	BY	CHK	MA
B	3/20/2010 9:00:00 PM	REDRAWN IN PROE	18198	DK	MA	

CONNECTOR SIZE	TOLERANCES						
	B	C	E	K DIA	L	N	O.D.
-8C THRU -25	±.06	±.04 ±.02	±.02	±.02	±.09	±.03	±.01
-26 THRU -34	±.08	±.04 ±.02	±.02	±.02	±.12	±.03	±.01
-35 AND UP	±.09	±.06	±.02	±.02	±.15	±.06	±.01

TOLERANCE BLOCK

INSTALLATION TOOLING (# CRIMPS)

CATALOG NO.	COLOR CODE	DIE INFORMATION			MECHANICAL					HYDRAULIC					DIELESS (# CRIMPS)	WIRE STRIP LENGTH	
		DIE INDEX	TYPE	Y2MR	OUR840	MD6 MD7	MD6--R2	MD7-34R	Y34A Y34B Y34BH	Y500CT BCT500	Y35, Y39 Y750, BAT35 BAT750	Y46	Y45	Y48B			Y60BHU
YA2CL2TC1445, 90 YA2CL2TC14E245, 90 YA2CL2TC14E145, 90 YA2CL2TC14E1045, 90	BROWN	10	BROWN DIE SET NEST INDENTOR	BROWN(2)	X2CRT(1)	W2CRT(1) W2CVT(1)	W2CRT(1) W2CVT(1)	W2CRT(1) W2CVT(1)	-----	X2CRT(1) W2CRT(1) W2CVT(1)	U2CRT(1)	U2CRT(1)	U2CRT(1)	-----	-----	MECHANICAL: MY29-3(1) MY29-11(1) HYDRAULIC, Y644M(1) BAT644M(1) PAT644M(1)	15/16"
				-----	-----	-----	-----	-----	B2CD(1) A2CD(1)	-----	U2CD-1(1)	U2CD-1(1)	U2CD-1(1)	-----	-----		
									Y34PR	-----	Y34PR	Y34PR	Y34PR				



- NOTES:
- MATERIAL: COPPER TUBING.
 - FINISH: ELECTRO-TIN PLATED.
 - CATALOG # PT6515 ADAPTOR IS REQUIRED TO USE "U" DIES IN Y45 SERIES TOOLS.
 - CATALOG # PUADP-1 ADAPTOR IS REQUIRED TO USE "U" DIES IN Y46 SERIES TOOLS.
 - Y35P3 INDENTOR ADAPTOR REQUIRED FOR Y34PR INDENTOR.
 - PERMANENT DIE IN TOOLING.
 - DIMENSIONS IN BRACKETS [] ARE IN MILLIMETERS ROUNDED OFF TO THE NEAREST MILLIMETER, UNLESS OTHERWISE NOTED, AND ARE FOR REFERENCE ONLY.
 - FOR USE BY CUSTOMERS THAT HAVE THIS HYPRESS™. NO NEW Y34A HYPRESS™ TOOLS ARE BEING PROCESSED. Y34A USES A--D NEST DIES ONLY.
 - CONNECTORS ARE UL LISTED; UNDRILLED VERSIONS ARE NOT UL LISTED.
 - CONNECTORS ARE CSA CERTIFIED; UNDRILLED VERSIONS ARE NOT CSA CERTIFIED.
 - FOR UNDRILLED VERSIONS ADD SUFFIX "-U" TO END OF CATALOG NUMBER. FOR UNDRILLED VERSIONS, USE D MIN. = N MAX. + E MIN. + Z MIN.
 - "X", "W-RT", "W-VT", "U", & "L" DIE SETS ARE COLOR CODED. "A", "B", AND "C" DIES ARE NOT COLOR CODED. NESTS AND INDENTOR TYPE ARE NOT COLOR CODED.

REFERENCE: SD035209

TO ORDER BURNDY® PRODUCTS CALL		COPPER HYLUG™	
UNITED STATES 1-800-346-4175 (LONDONDERRY, NH)		ITEM NO: --	
CANADA: 1-800-361-6975 (QUEBEC) 1-800-387-6487 (ALL OTHER PROVINCES)		CAT. NO: YA2CL-- (TABLE)	
FOR PRODUCT INFO: http://www.burndy.com		DRAWN BY: J. MICHAUD 02/02/94	
		CHECKER: D. FILLION 02/21/95	
		DSN APPVL: C. PALAGI 02/21/94	
		MFG APPVL: N/A	
		QA APPVL: C. ACKERMAN 02/21/94	
		MKT APPVL: T. NELSON 02/21/94	
		SCALE: 3:2	
		DRAWING NO: SE209512	
		SHEET 12 OF 52	
		REV: B	

REV: PEO200