

DRAWING NO.
SE209512

CATALOG NUMBER	STRANDED COPPER CONDUCTOR ACCOMMODATED			BOLT SIZE	METRIC BOLT SIZE	FIG. NO.	DIMENSIONS									
	CODE (AWG)	NAVY	METRIC SIZE (CLASS 2)				B	C	E	H REF	K DIA	L	N	O.D.	T REF	Z MIN
YA2CL2TC3845	#2 AWG	60	-----	3/8	-----	1	.88 [22]	.60 [15]	1.00 [25]	1.15 [29]	.40 [10]	2.94 [75]	.41 [10]	.42 [11]	.11 [3]	.42 [11]
2						.60 [15]	1.00 [25]	1.37 [35]	.40 [10]	2.15 [55]	.41 [10]	.11 [3]	.42 [11]			
YA2CL2TC3890				1/2	M12	1	.83 [21]	1.75 [44]	1.19 [30]	.56 [14]	4.19 [106]	.63 [16]	.12 [3]	.64 [16]		
2						.83 [21]	1.75 [44]	1.44 [37]	.56 [14]	3.34 [85]	.63 [16]	.12 [3]	.64 [16]			

REV	DATE	DESCRIPTION	ECO	BY	C'H'K.
B	10/31/2011 00:00:00 AM	UPDATE TOOLING DETAIL	25812	RG	MA

CONNECTOR SIZE	TOLERANCES						
	B	C	E	K DIA	L	N	O.D.
-8C THRU -25	±.06	±.04	±.02	±.02	±.09	±.03	±.01
-26 THRU -34	±.08	±.04	±.02	±.02	±.12	±.03	±.01
-35 AND UP	±.09	±.06	±.02	±.02	±.15	±.06	±.01

TOLERANCE BLOCK

CATALOG NO.	COLOR CODE	DIE INFORMATION		MECHANICAL RATCHET					HYDRAULIC					DIELESS (# CRIMPS)	WIRE STRIP LENGTH	
		DIE INDEX	TYPE	6 YIMRTC	OUR840	MD6 MD7	MD6--R2 MD7-34R	PATMD6 PAT600	8 Y34A Y34B Y34BH	5 Y35, Y39 Y750, BAT35 PAT750	5 4 Y46 PAT46	5 3 Y45	Y48B			Y60BHU
YA2CL2TC3845 YA2CL2TC3890 YA2C2LN45 YA2C2LN90	BROWN	10	BROWN DIE SET	BROWN(2)	X2CRT(1)	W2CRT(1) W2CVT(1)	W2CRT(1) W2CVT(1)	W2CRT(1) W2CVT(1)	-----	U2CRT(1)	U2CRT(1)	U2CRT(1)	-----	-----	MECHANICAL: MY29-3(1) MY29-11(1) MRC840(1) HYDRAULIC: Y644(1) Y81KFT(1) Y4PC834(1)	15/16"
			NEST	-----	-----	-----	-----	-----	B2CD(1) A2CD(1)	U2CD-1(1)	U2CD-1(1)	U2CD-1(1)				
			INDENTOR	-----	-----	-----	-----	-----	Y34PR	Y34PR	Y34PR	Y34PR				

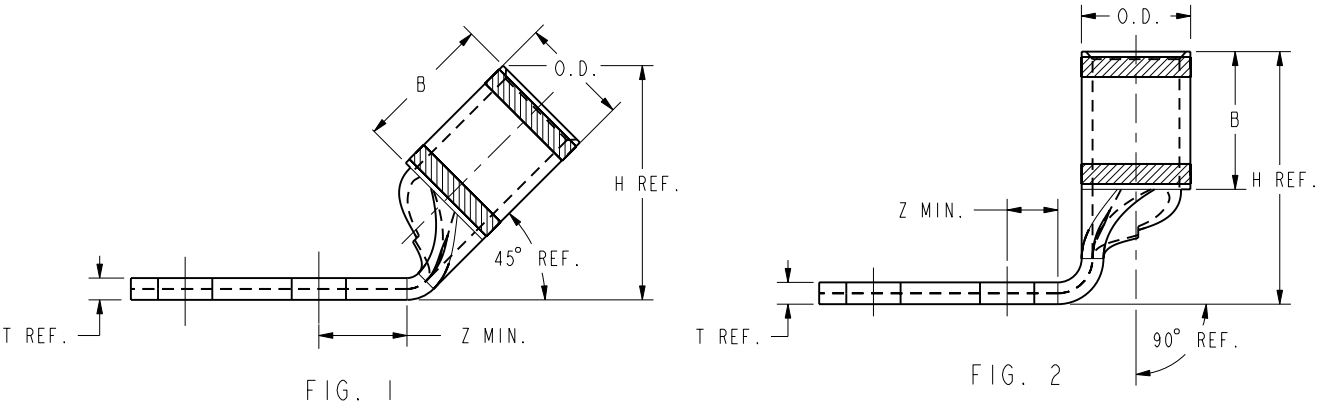
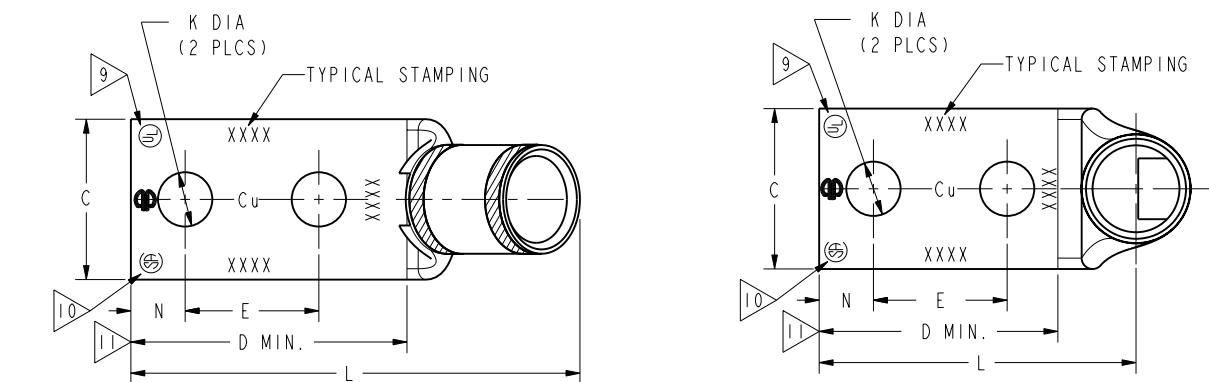


FIG. 1

FIG. 2

- NOTES:
- MATERIAL: COPPER TUBING.
 - FINISH: ELECTRO-TIN PLATED.
 - CATALOG # PT6515 ADAPTOR IS REQUIRED TO USE "U" DIES IN Y45 SERIES TOOLS.
 - CATALOG # PUADP-1 ADAPTOR IS REQUIRED TO USE "U" DIES IN Y46 SERIES TOOLS.
 - Y35P3 INDENTOR ADAPTOR REQUIRED FOR Y34PR INDENTOR.
 - PERMANENT DIE IN TOOLING.
 - DIMENSIONS IN BRACKETS [] ARE IN MILLIMETERS ROUNDED OFF TO THE NEAREST MILLIMETER, UNLESS OTHERWISE NOTED, AND ARE FOR REFERENCE ONLY.
 - FOR USE BY CUSTOMERS THAT HAVE THIS HYPRESS™. NO NEW Y34A HYPRESS™ TOOLS ARE BEING PROCESSED. Y34A USES A--D NEST DIES ONLY.
 - CONNECTORS ARE UL LISTED, UNDRILLED VERSIONS ARE NOT UL LISTED.
 - CONNECTORS ARE CSA CERTIFIED, UNDRILLED VERSIONS ARE NOT CSA CERTIFIED.
 - FOR UNDRILLED VERSIONS ADD SUFFIX "-U" TO END OF CATALOG NUMBER. FOR UNDRILLED VERSIONS, USE D MIN. = N MAX. + E MIN. + Z MIN.
 - "X", "W-RT", "W-VT", "U", & "L" DIE SETS ARE COLOR CODED. "A", "B", AND "C" DIES ARE NOT COLOR CODED. NESTS AND INDENTOR TYPE ARE NOT COLOR CODED.

REFERENCE: SD035209

TO ORDER BURNDY® PRODUCTS CALL		COPPER HYLUG™	
UNITED STATES 1-800-346-4175 (LONDONDERRY, NH)		ITEM NO: --	SCALE: 3:2
CANADA: 1-800-361-6975 (QUEBEC) 1-800-387-6487 (ALL OTHER PROVINCES)		CAT. NO: YA-L-2TC-45,-90/YA--2L-45,-90, YA--2LN-45,-90/YA-4L-45,-90	REV: B
FOR PRODUCT INFO: http://www.burndy.com		DRAWN BY: J. MICHAUD 02/03/95	BURNDY
		CHECKER: D. FILLION 02/21/95	
		DSN APPVL: C. PALAGI 03/09/95	
		MFG APPVL: N/A	
		QA APPVL: C. ACKERMAN 04/03/95	
		MKT APPVL: T. NELSON 03/13/95	
		PROJ #: --	
		DOCUMENT TYPE: Sales	
		REL LEVEL: Released	

REV: PE0200