

DRAWING NO.
SE209512

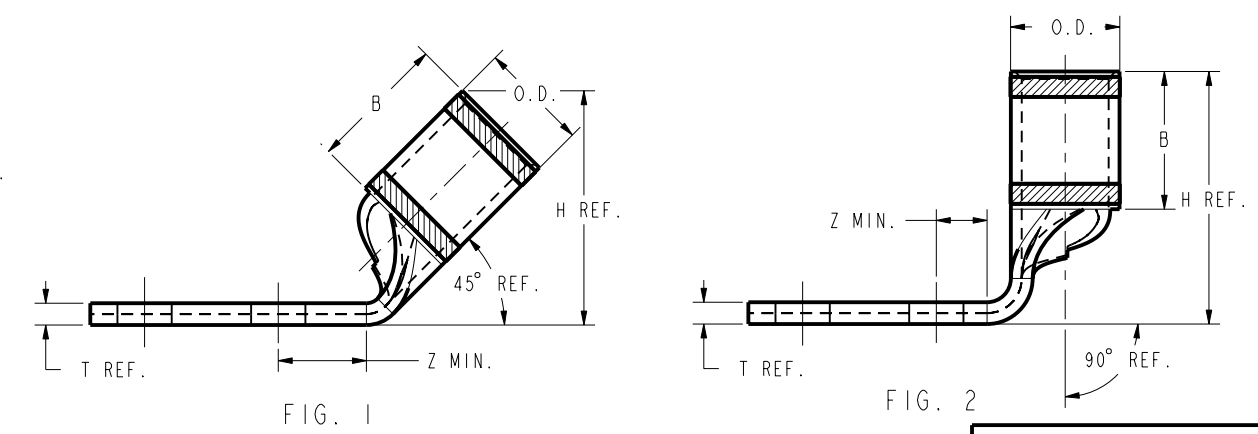
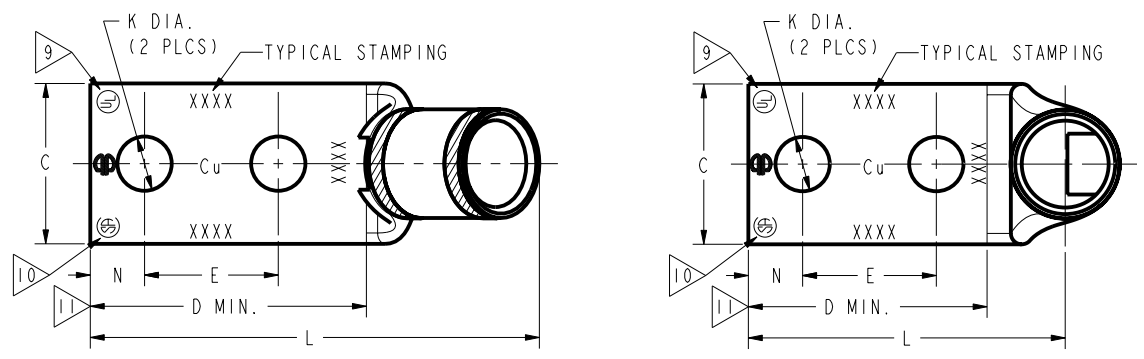
CATALOG NUMBER	STRANDED COPPER CONDUCTOR ACCOMMODATED			BOLT SIZE	METRIC BOLT SIZE	FIG. NO.	DIMENSIONS														
	CODE (AWG)	NAVY	METRIC SIZE (CLASS 2)				B	C	E	H REF	K DIA	L	N	O.D.	T REF	Z MIN					
YA31L2TC14E245	350 kcmil	350	-----	1/4	M6	1	1.06 [27]	1.29 [33]	.75 [19]	1.85 [47]	.27 [7]	2.99 [76]	.31 [8]	.88 [22]	.18 [5]	.33 [8]					
2						.75 [19]			1.98 [50]	.27 [7]	1.97 [50]	.31 [8]	.33 [8]								
YA31L2TC14E290				5/16	-----	1	1.06 [27]	1.29 [33]	1.75 [44]	1.85 [47]	.33 [8]	4.06 [103]	.34 [9]	.88 [22]	.18 [5]	.36 [9]					
2						1.75 [44]			1.98 [50]	.33 [8]	3.03 [77]	.34 [9]	.36 [9]								
YA31L2NTC51645				3/8	-----	-----	1	-----	1.06 [27]	1.29 [33]	1.06 [27]	1.85 [47]	.40 [10]	3.49 [89]	.41 [10]	.88 [22]	.18 [5]	.42 [11]			
2											1.06 [27]	1.98 [50]	.40 [10]	2.47 [63]	.41 [10]			.42 [11]			
YA31L2L45							3/8	-----	-----	1	-----	1.06 [27]	1.29 [33]	1.00 [25]	1.85 [47]	.40 [10]	3.43 [87]	.41 [10]	.88 [22]	.18 [5]	.42 [11]
2														1.00 [25]	1.98 [50]	.40 [10]	2.41 [61]	.41 [10]			.42 [11]
YA31L2L90	3/8	-----	-----	1	-----	1.06 [27]	1.29 [33]	1.00 [25]	1.85 [47]	.40 [10]	3.43 [87]	.41 [10]	.88 [22]	.18 [5]	.42 [11]						
2								1.00 [25]	1.98 [50]	.40 [10]	2.41 [61]	.41 [10]			.42 [11]						
YA31L2TC3845	3/8	-----	-----	1	-----	1.06 [27]	1.29 [33]	1.00 [25]	1.85 [47]	.40 [10]	3.43 [87]	.41 [10]	.88 [22]	.18 [5]	.42 [11]						
2								1.00 [25]	1.98 [50]	.40 [10]	2.41 [61]	.41 [10]			.42 [11]						
YA31L2TC3890	3/8	-----	-----	1	-----	1.06 [27]	1.29 [33]	1.00 [25]	1.85 [47]	.40 [10]	3.43 [87]	.41 [10]	.88 [22]	.18 [5]	.42 [11]						
2								1.00 [25]	1.98 [50]	.40 [10]	2.41 [61]	.41 [10]			.42 [11]						

REV	DATE	DESCRIPTION	ECO	BY	C'H'K.
A	6/12/2010 10:00:00 AM	REDRAWN IN PROE	20979	DK	MA

CONNECTOR SIZE	TOLERANCES						
	B	C	E	K DIA	L	N	O.D.
-8C THRU -25	±.06	±.04 ±.02	±.02	±.02	±.09	±.03	±.01
-26 THRU -34	±.08	±.04 ±.02	±.02	±.02	±.12	±.03	±.01
-35 AND UP	±.09	±.06	±.02	±.02	±.15	±.06	±.01

TOLERANCE BLOCK

CATALOG NO.	COLOR CODE	DIE INFORMATION		MECHANICAL RATCHET				HYDRAULIC					DIELESS (# CRIMPS)	WIRE STRIP LENGTH		
		DIE INDEX	TYPE	6 Y2MR	OUR840	MD6 MD7	MD6--R2 BAT500	MD7-34R	8 Y34A Y34B Y34BH	5 Y35, Y39 Y750, BAT35 BAT750	5 4 Y46	5 3 Y45			Y48B	Y60BHU
ALL SHOWN ABOVE	RED	18 324	RED DIE SET	-----	-----	-----	W31RT(2) W31VT(2)	W31VT(2)	-----	U31RT(2) U29ART(2)	U31RT(2) U29ART(2)	U31RT(2) U29ART(2)	C31R(2) C29AR(2)	L31RT(1) L29ART(1)	HYDRAULIC, Y644M(1) BAT644M(1)	1-3/16"
			NEST INDENTOR	-----	-----	-----	-----	-----	B31D(1) A31D(1) Y34PR	U31D-1(1) Y34PR	U31D-1(1) Y34PR	U31D-1(1) Y34PR	C31D(1) Y48PR	-----		



- NOTES:
- MATERIAL: COPPER TUBING.
 - FINISH: ELECTRO-TIN PLATED.
 - CATALOG # PT6515 ADAPTOR IS REQUIRED TO USE "U" DIES IN Y45 SERIES TOOLS.
 - CATALOG # PUADP-1 ADAPTOR IS REQUIRED TO USE "U" DIES IN Y46 SERIES TOOLS.
 - Y35P3 INDENTOR ADAPTOR REQUIRED FOR Y34PR INDENTOR.
 - PERMANENT DIE IN TOOLING.
 - DIMENSIONS IN BRACKETS [] ARE IN MILLIMETERS ROUNDED OFF TO THE NEAREST MILLIMETER, UNLESS OTHERWISE NOTED, AND ARE FOR REFERENCE ONLY.
 - FOR USE BY CUSTOMERS THAT HAVE THIS HYPRESS™. NO NEW Y34A HYPRESS™ TOOLS ARE BEING PROCESSED. Y34A USES A--D NEST DIES ONLY.
 - CONNECTORS ARE UL LISTED, UNDRILLED VERSIONS ARE NOT UL LISTED.
 - CONNECTORS ARE CSA CERTIFIED, UNDRILLED VERSIONS ARE NOT CSA CERTIFIED.
 - FOR UNDRILLED VERSIONS ADD SUFFIX "-U" TO END OF CATALOG NUMBER. FOR UNDRILLED VERSIONS, USE D MIN. = N MAX. + E MIN. + Z MIN.
 - "X", "W-RT", "W-VT", "U", & "L" DIE SETS ARE COLOR CODED. "A", "B", AND "C" DIES ARE NOT COLOR CODED. NESTS AND INDENTOR TYPE ARE NOT COLOR CODED.

REFERENCE: SD035209

TO ORDER BURNDY® PRODUCTS CALL
 UNITED STATES
 1-800-346-4175 (LONDONDERRY, NH)
 CANADA:
 1-800-361-6975 (QUEBEC)
 1-800-387-6487 (ALL OTHER PROVINCES)
 FOR PRODUCT INFO: <http://www.burndy.com>

COPPER HYLUG™	
ITEM NO: --	SCALE: 3:2
CAT. NO: YA-L-2TC-45-90/YA-2L-45-90, YA-2LN-45-90/YA-4L-45-90	DRAWING NO: SE209512
DRAWN BY: J. MITCHAUD 02/03/95	REV: A
CHECKER: D. FILLION 02/21/95	
DSN APPVL: C. PALAGI 03/09/95	
MFG APPVL: N/A --	
QA APPVL: C. ACKERMAN 04/03/95	
MKT APPVL: T. NELSON 03/13/95	
PROJ #: --	
DOCUMENT TYPE: Sales	
REL LEVEL: Released	

REV: PE0200