

DRAWING NO.
SE209512

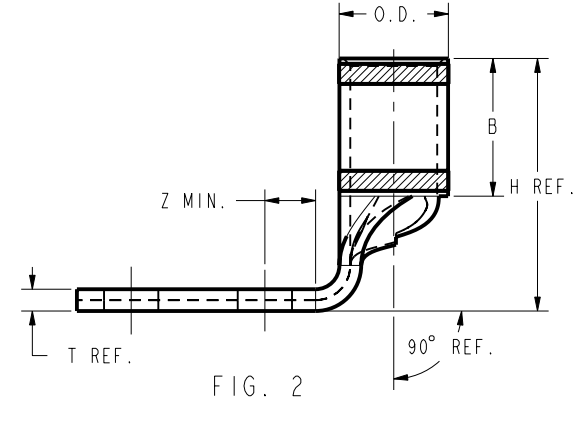
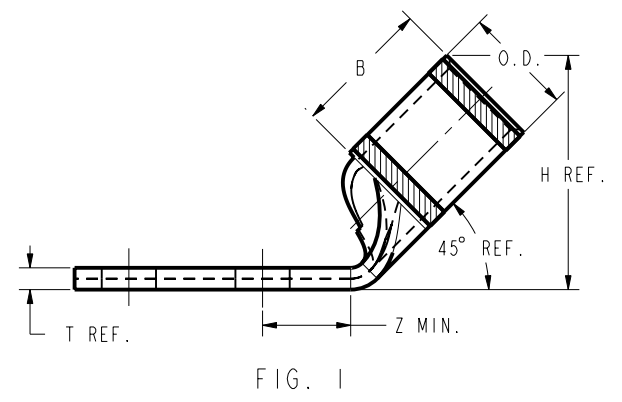
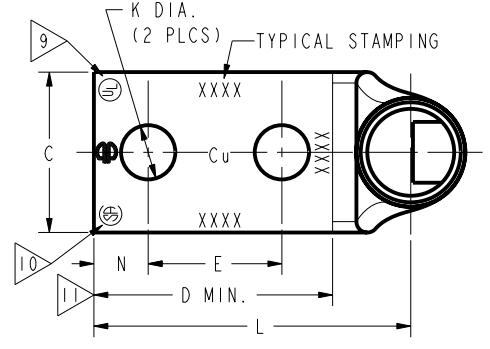
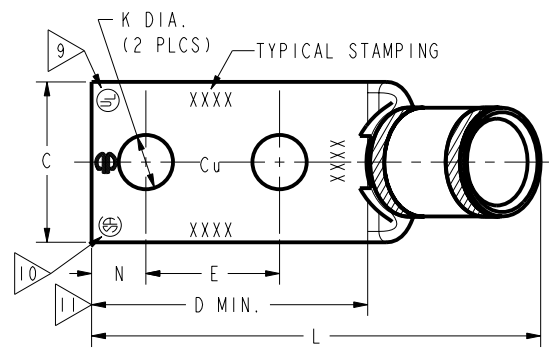
CATALOG NUMBER	STRANDED COPPER CONDUCTOR ACCOMMODATED			BOLT SIZE	METRIC BOLT SIZE	FIG. NO.	DIMENSIONS									
	CODE (AWG)	NAVY	METRIC SIZE (CLASS 2)				B	C	E	H REF	K DIA	L	N	O.D.	T REF	Z MIN
YA34L2TC14E245	500 kcmil	-----	240mm ² STR [23.1]	1/4	M6	1	1.27 [32]	1.55 [39]	.75 [19]	2.25 [57]	.27 [7]	3.37 [86]	.31 [8]	1.06 [27]	.23 [6]	.33 [8]
2						↑	↑	.75 [19]	2.43 [62]	.27 [7]	2.10 [53]	.31 [8]	↑	↑	.33 [8]	
YA34L2TC14E290				3/8	-----	1	1.06 [27]	1.55 [39]	.40 [10]	3.87 [98]	.41 [10]	↑	↑	.42 [11]		
2						↑	↑	1.06 [27]	2.43 [62]	.40 [10]	2.59 [66]	.41 [10]	↑	↑	.42 [11]	
YA342L45				3/8	-----	240mm ² STR [23.1]	1	1.00 [25]	1.55 [39]	.40 [10]	3.81 [97]	.41 [10]	↑	↑	.42 [11]	
2							↑	↑	1.00 [25]	2.25 [57]	.40 [10]	2.54 [65]	.41 [10]	↑	↑	.42 [11]
YA34L2TC3845	3/8	-----	240mm ² STR [23.1]	1	1.00 [25]	1.55 [39]	.40 [10]	3.81 [97]	.41 [10]	↑	↑	.42 [11]				
2				↑	↑	1.00 [25]	2.43 [62]	.40 [10]	2.54 [65]	.41 [10]	↑	↑	.42 [11]			

REV	DATE	DESCRIPTION	ECO	BY	CHK	MA
A	6/12/2010 10:00:00 AM	REDRAWN IN PROE	20979	DK	MA	

CONNECTOR SIZE	TOLERANCES						
	B	C	E	K DIA	L	N	O.D.
-8C THRU -25	±.06	±.04 ±.02	±.02	±.02	±.09	±.03	±.01
-26 THRU -34	±.08	±.04 ±.02	±.02	±.02	±.12	±.03	±.01
-35 AND UP	±.09	±.06	±.02	±.02	±.15	±.06	±.01

TOLERANCE BLOCK

CATALOG NO.	COLOR CODE	DIE INFORMATION		MECHANICAL RATCHET					HYDRAULIC					DIELESS (# CRIMPS)	WIRE STRIP LENGTH	
		DIE INDEX	TYPE	Y2MR	OUR840	MD6 MD7	MD6--R2 BAT500	MD7-34R	Y34A Y34B Y34BH	Y35, Y39 Y750, BAT35 BAT750	Y46	Y45	Y48B			Y60BHU
YA34L2TC14E245 YA34L2TC14E290 YA342L45 YA342L90 YA34L2TC3845 YA34L2TC3890	BROWN	20 299	BROWN DIE SET NEST INDENTOR	----- ----- -----	----- ----- -----	----- ----- -----	W34RT(2) W34VT(2)	W34VT(2)	----- ----- -----	U34RT(2) U31ART(2)	U34RT(2) P34RT(2) U31ART(2)	U34RT(2) U31ART(2)	C34R(2) C31AR(2)	L34RT(1)	HYDRAULIC, Y644M(1) BAT644M(1)	1-7/16"



- NOTES:
- MATERIAL: COPPER TUBING.
 - FINISH: ELECTRO-TIN PLATED.
 - CATALOG # PT6515 ADAPTOR IS REQUIRED TO USE "U" DIES IN Y45 SERIES TOOLS.
 - CATALOG # PUADP-1 ADAPTOR IS REQUIRED TO USE "U" DIES IN Y46 SERIES TOOLS.
 - Y35P3 INDENTOR ADAPTOR REQUIRED FOR Y34PR INDENTOR.
 - PERMANENT DIE IN TOOLING.
 - DIMENSIONS IN BRACKETS [] ARE IN MILLIMETERS ROUNDED OFF TO THE NEAREST MILLIMETER, UNLESS OTHERWISE NOTED, AND ARE FOR REFERENCE ONLY.
 - FOR USE BY CUSTOMERS THAT HAVE THIS HYPRESS™. NO NEW Y34A HYPRESS™ TOOLS ARE BEING PROCESSED. Y34A USES A--D NEST DIES ONLY.
 - CONNECTORS ARE UL LISTED, UNDRILLED VERSIONS ARE NOT UL LISTED.
 - CONNECTORS ARE CSA CERTIFIED, UNDRILLED VERSIONS ARE NOT CSA CERTIFIED.
 - FOR UNDRILLED VERSIONS ADD SUFFIX "-U" TO END OF CATALOG NUMBER. FOR UNDRILLED VERSIONS, USE D MIN. = N MAX. + E MIN. + Z MIN.
 - "X", "W-RT", "W-VT", "U", & "L" DIE SETS ARE COLOR CODED. "A", "B", AND "C" DIES ARE NOT COLOR CODED. NESTS AND INDENTOR TYPE ARE NOT COLOR CODED.

REFERENCE: SD035209

TO ORDER BURNDY® PRODUCTS CALL
 UNITED STATES
 1-800-346-4175 (LONDONDERRY, NH)
 CANADA:
 1-800-361-6975 (QUEBEC)
 1-800-387-6487 (ALL OTHER PROVINCES)
 FOR PRODUCT INFO: <http://www.burndy.com>

COPPER HYLUG™	
ITEM NO:	--
CAT. NO:	YA-L-2TC-45, -90/YA--2L-45, -90, YA--2LN-45, -90/YA-4L-45, -90
DRAWN BY:	J. MICHAUD 02/03/95
CHECKER:	D. FILLION 02/21/95
DSN APPVL:	C. PALAGI 03/09/95
MFG APPVL:	N/A
QA APPVL:	C. ACKERMAN 04/03/95
MKT APPVL:	T. NELSON 03/13/95
PROJ #:	--
DOCUMENT TYPE:	Sales
REL LEVEL:	Released
DRAWING NO	SE209512
REV	A
SCALE:	3:2
SHEET	32 OF 52

REV: PEO200