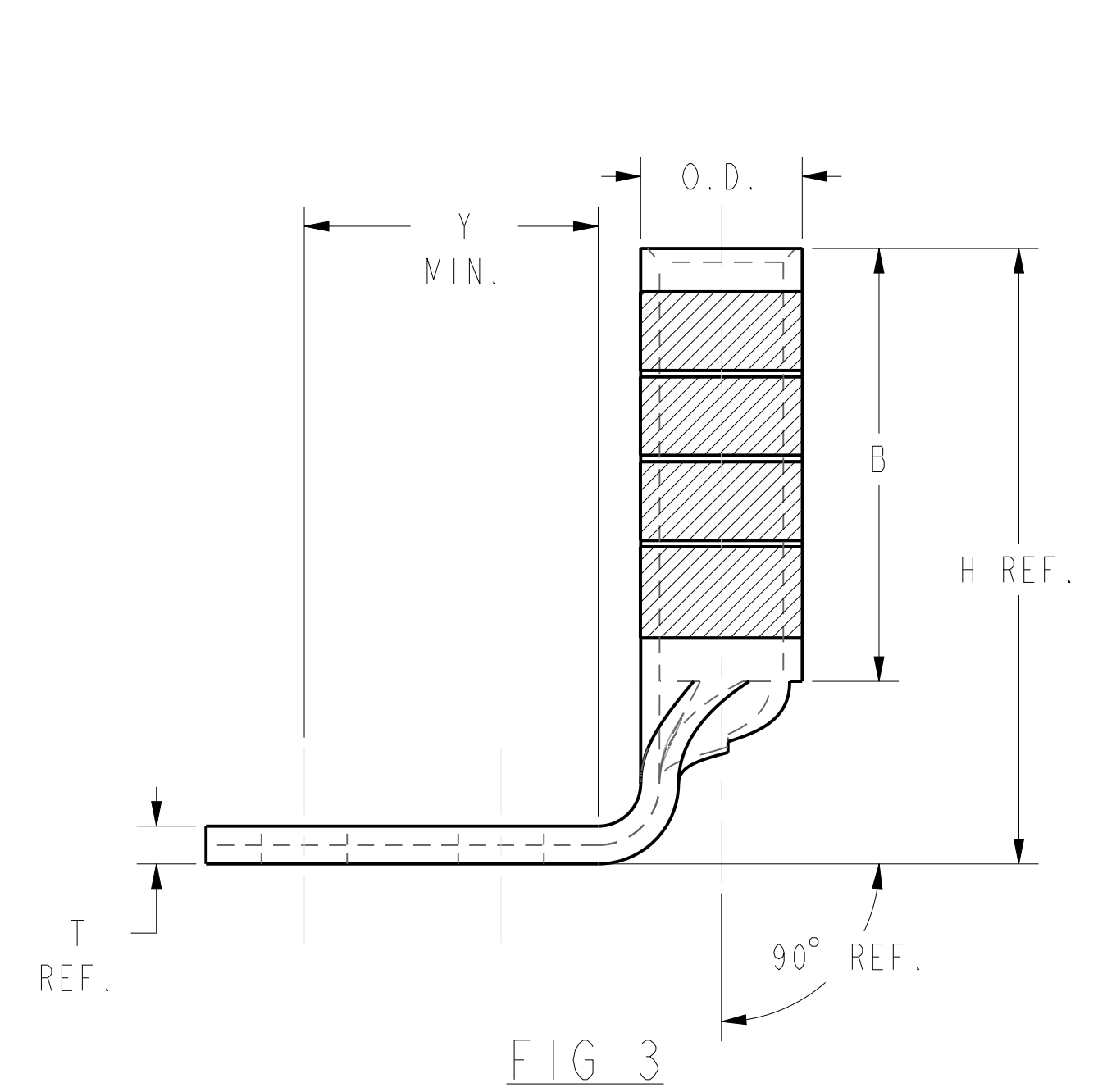
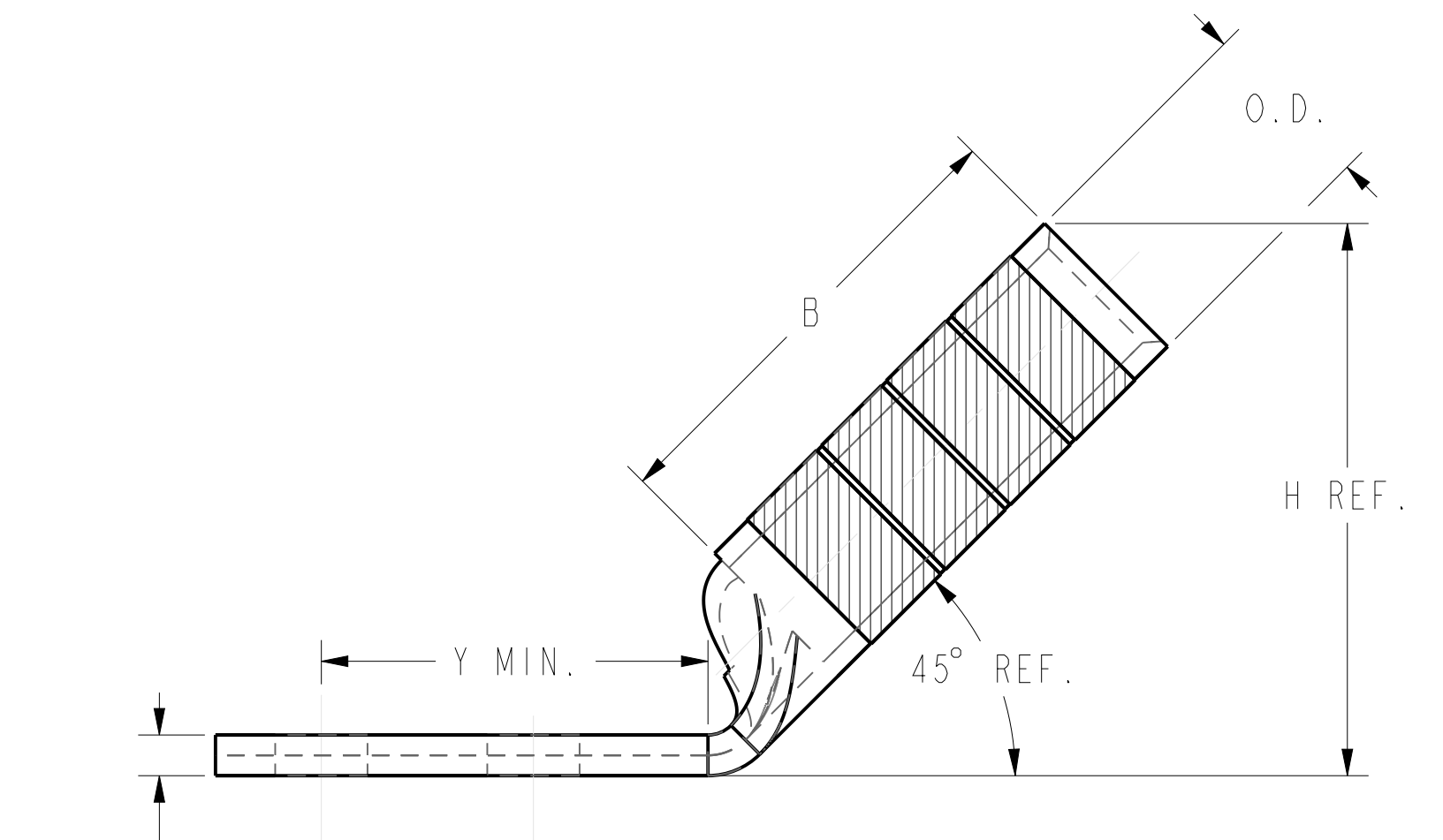
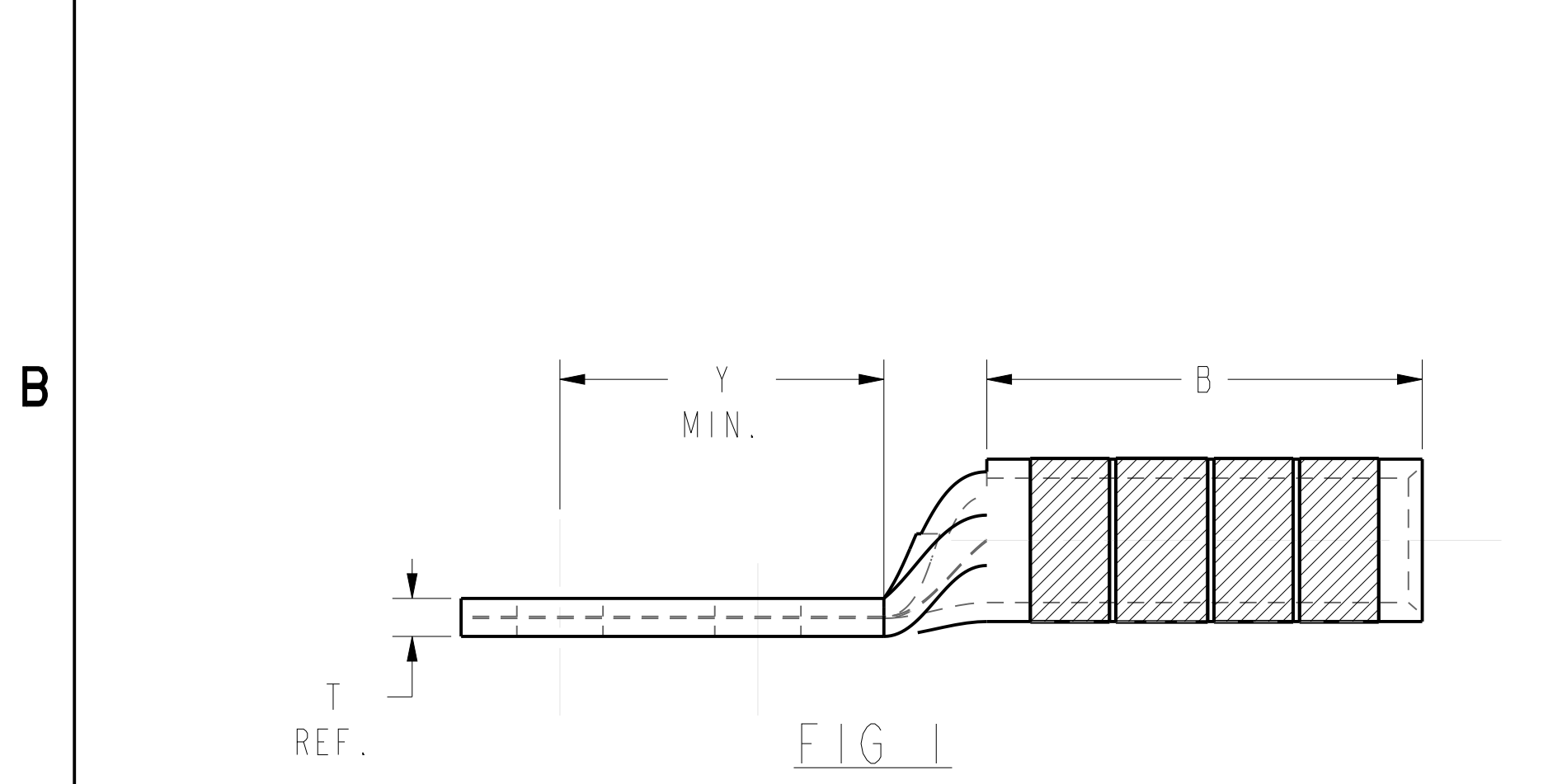
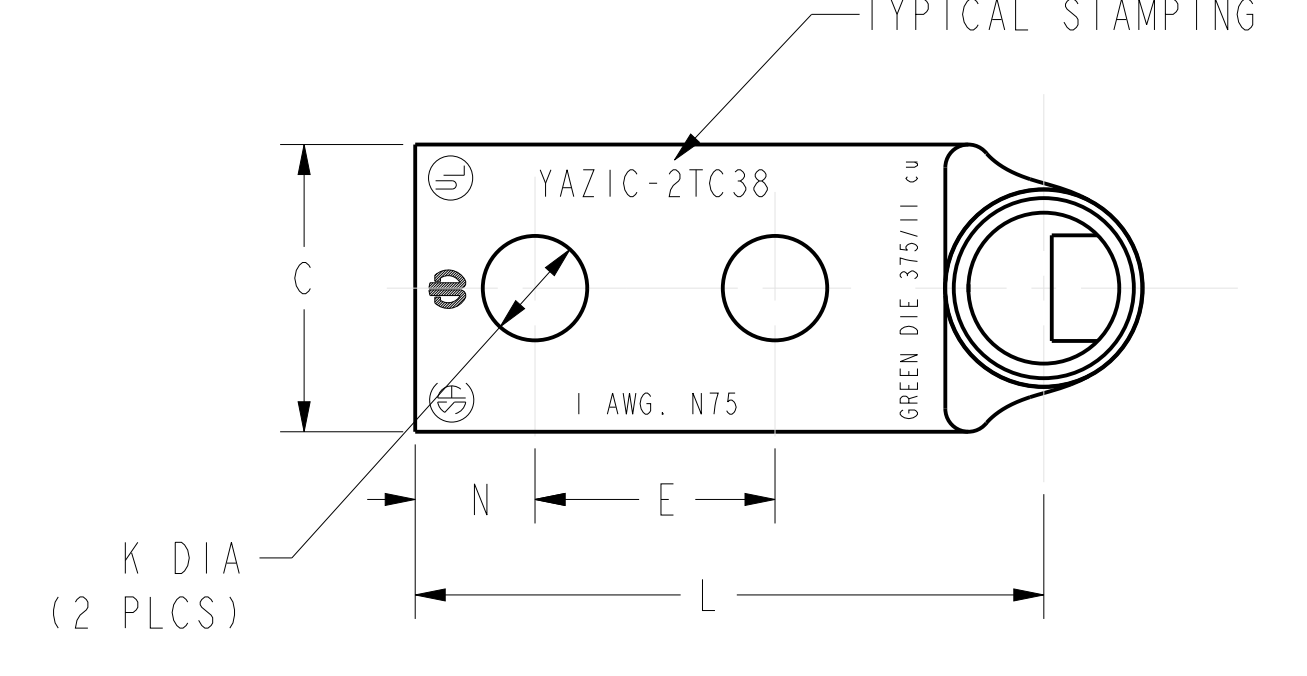
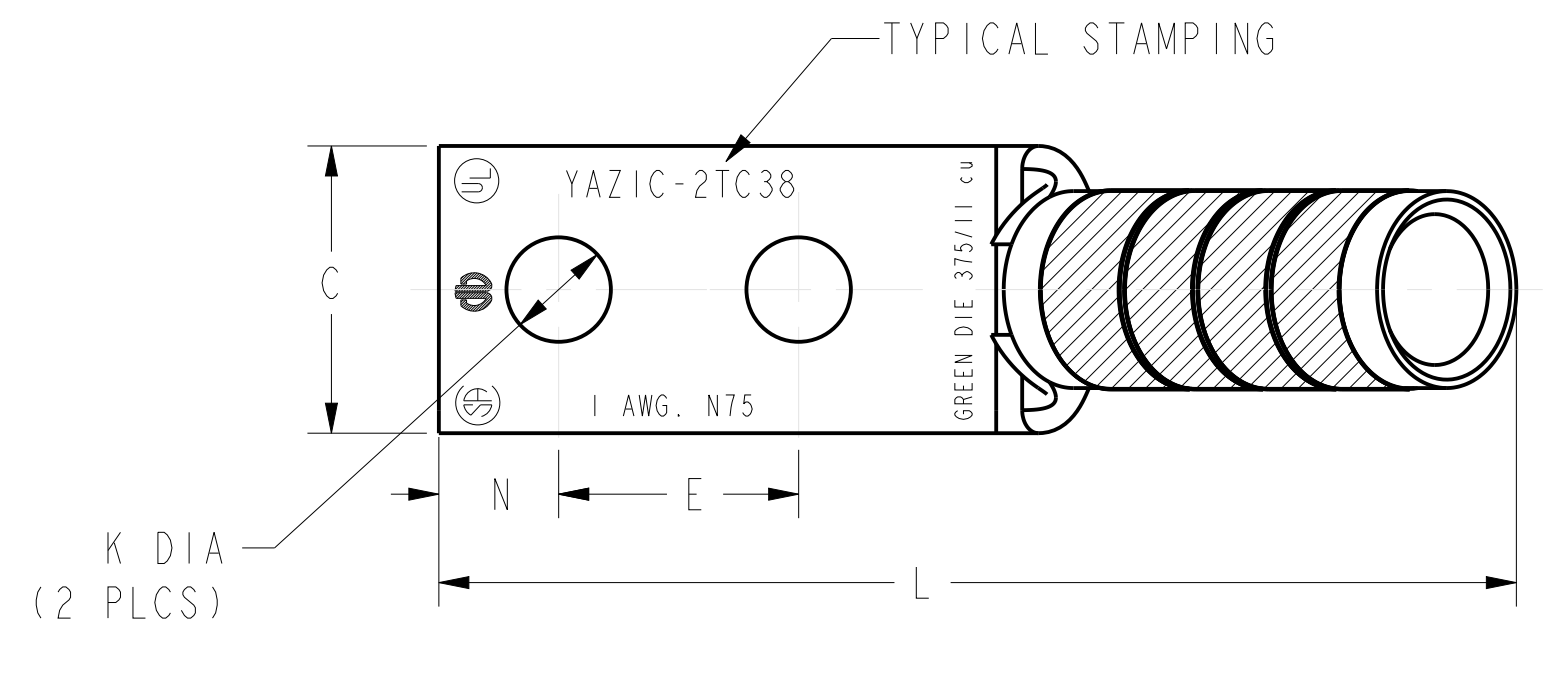
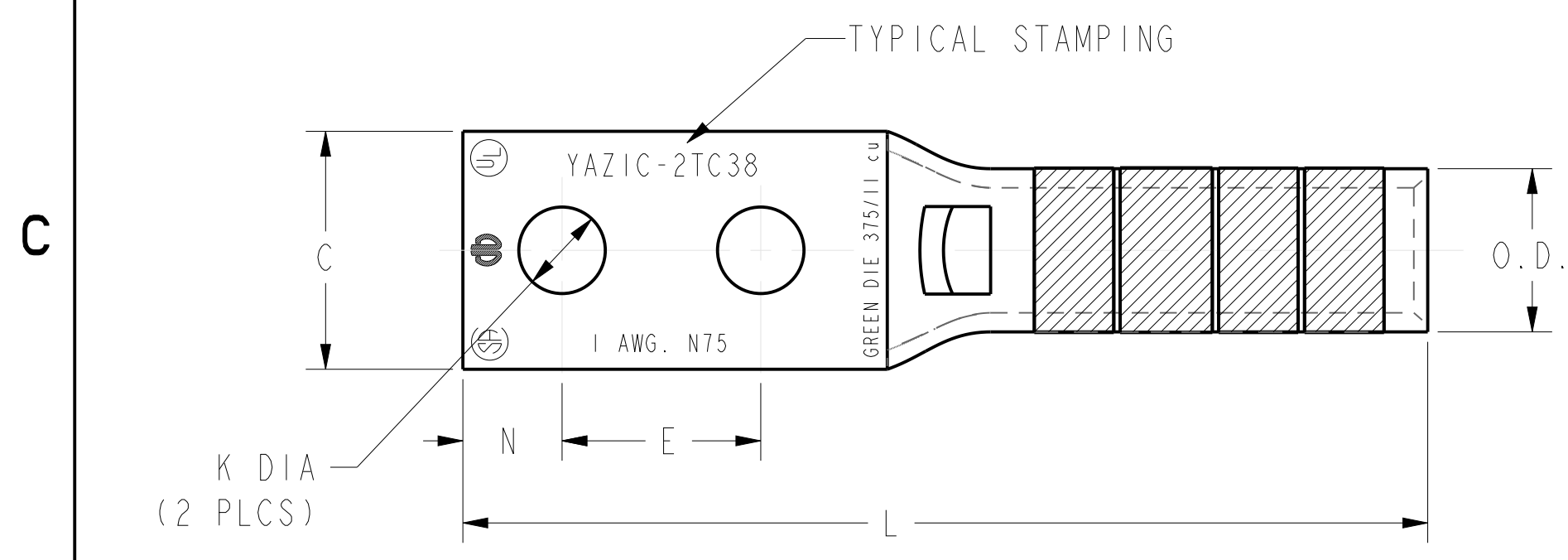


REV	DATE	DESCRIPTION	ECO	BY	C.H.K.
B	2019-07-31 01:00:00 EDT	ADDED MATERIAL YAZIC2TC38E16	51710	JL	WP

CATALOG NO.	CONDUCTOR		BOLT SIZE	FIG. NO.	DIMENSIONS									INSTALLATION TOOLING (# CRIMPS)										
	AWG (MM <sup>2</sup> )	NAVY			B ±.06	C ±.04	E ±.02	H REF.	K DIA. ±.02	L ±.09	N ±.04	O.D. ±.01	T REF.	Y MIN.	DIE INDEX	COLOR CODE	MECHANICAL RATCHET			HYDRAULIC		DIELESS (# CRIMPS)	WIRE STRIP LENGTH	
YAZIC2TC38	1 AWG 50 MM <sup>2</sup> CLs 2	75	3/8 [M10]	1	1.38 [35]	.67 [17]	1.00 [25]	----	.40 [10]	.41 [10]	.46 [12]	.10 [3]	1.43 [36]	11 OR 375	GREEN	WICVT WICRT (2)	WICVT WICRT (2)	----	Y34A	Y750 Y35, BAT35 Y39, BAT750	Y46	Y45	MECHANICAL: MY29-11 (1) HYDRAULIC: Y644, Y644M Y644MBH, Y1000 Y1000BH (1)	1-7/16
YAZIC2TC3845				2				3.57 [91]																
YAZIC2TC3890				3				3.31 [84]																
YAZIC2TC38E16				1				2.16 [55]																
							1.75	----				2.18												



- NOTES:
- MATERIAL: COPPER TUBING.
  - FINISH: TIN PLATED
  - CATALOG # PT6515 ADAPTOR IS REQUIRED TO USE "U" DIES IN Y45 SERIES TOOLS.
  - CATALOG # PUADP-1 ADAPTOR IS REQUIRED TO USE "U" DIES IN Y46 SERIES TOOLS.
  - NAVY CABLE SIZE MAY BE OMITTED ON SOME SIZES BECAUSE OF SPACE LIMITATIONS.
  - DIMENSIONS, METRIC WIRE, & METRIC BOLT SIZES IN BRACKETS [ ] ARE IN MILLIMETERS. DIMENSIONS ARE ROUNDED OFF TO THE NEAREST MILLIMETER, UNLESS OTHERWISE NOTED, AND ARE FOR REFERENCE ONLY.
  - FOR USE BY CUSTOMERS THAT HAVE THIS HYPRESS.™ NO NEW Y34A HYPRESS™ ARE BEING PROCESSED.

TO ORDER BURNDY® PRODUCTS CALL		HYLUG™	
UNITED STATES 1-800-346-4175 (LONDONDERRY, NH)		ITEM NO: N/A	CAT. NO: YAZIC-2TC- (SEE TABLE)
CANADA: 1-800-361-6975 (QUEBEC) 1-800-387-6487 (ALL OTHER PROVINCES)		DRAWN BY: D. BOISVERT 11/13/98	CHECKER: K. HENRY 12/03/98
FOR PRODUCT INFO: <a href="http://www.burndy.com">http://www.burndy.com</a>		DSN APPVL: B. MACDONALD 12/02/98	MFG APPVL: N/A
		QA APPVL: S. GARY 11/30/98	MKT APPVL: B. HARDGROVE 11/25/98
		PROD FAM: CM&R: COMPRESSION	DRAWING NO: REV
		PROJECT #: FPN1906074	SIZE
		DOCUMENT TYPE: Sales	SE211915
		REL LEVEL: Released	D
		SHEET 19 OF 36	

REV: PEG200

A