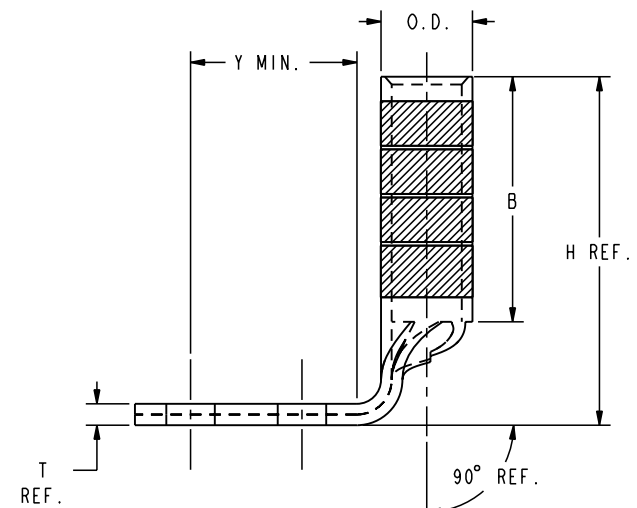
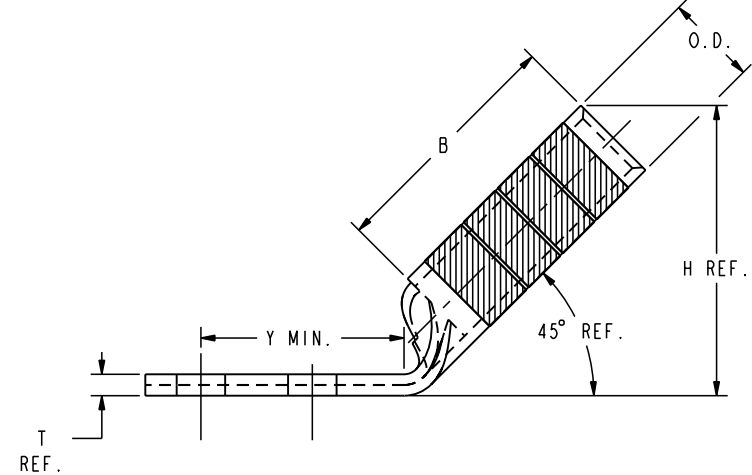
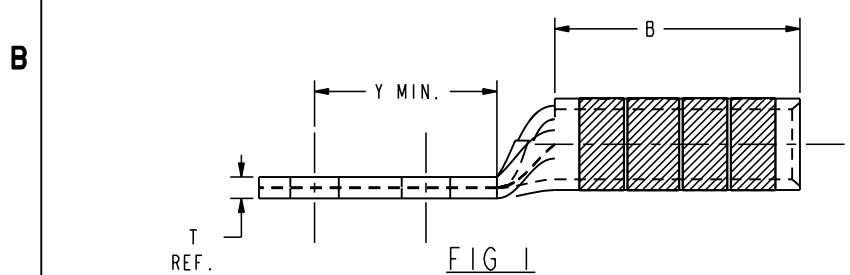
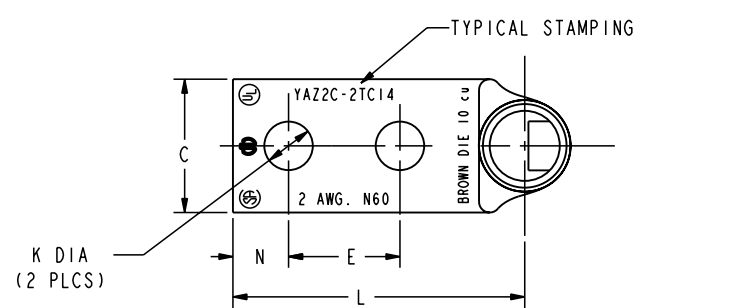
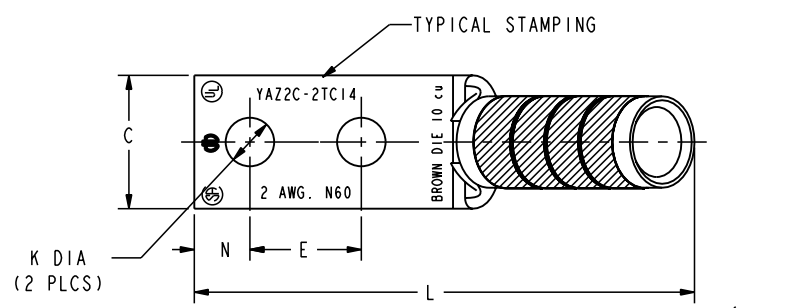
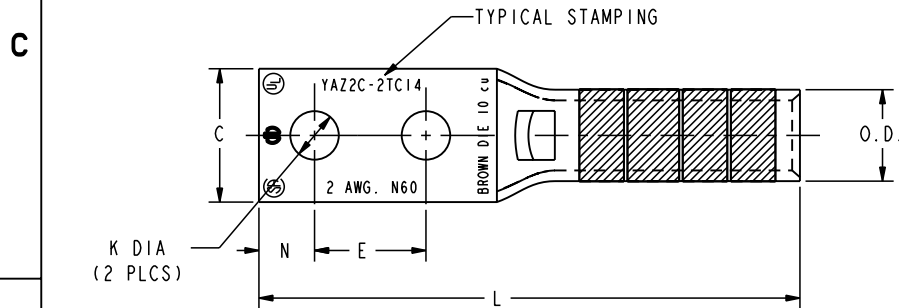


REV	DATE	DESCRIPTION	ECO	BY	C'H'K.
A	4/11/2008 12:00:00 AM	REDRAW INTO PRO-E & CATALOG NUMBER UPDATION	16757	DG	BSK

CATALOG NO.	CONDUCTOR		BOLT SIZE	FIG. NO.	DIMENSIONS										INSTALLATION TOOLING (# CRIMPS)															
	CODE (AWG)	NAVY			B	C	E	H REF.	K DIA.	L	N	O.D.	T REF.	Y MIN.	DIE INDEX	COLOR CODE	MECHANICAL			HYDRAULIC				DIELESS (# CRIMPS)	WIRE STRIP LENGTH					
																	MD7-34R MD6	OUR840	Y2MR	Y34A	Y750 Y35, BAT35 Y39, BAT750	Y46	Y45							
YAZ2C2TC10E2	#2 AWG [-----]	60	1.25 [32]	.60 [15]	.75 [19]	1.42 [36]	.21 [5]	2.85 [72]	.25 [6]	.42 [11]	.11 [3]	1.03 [26]	10	BROWN	W2CVT W2CRT (2)	W2CVT W2CRT (2)	----	A2CR (2)	U2CRT (2)	U2CRT (2)	U2CRT (2)	MECHANICAL: MY29-11 (1)  HYDRAULIC: Y644, Y644M Y644MBH, Y1000 Y1000BH (1)	1-5/16							
YAZ2C2TC10E245															2	1.74 [44]	2.65 [67]	1.58 [40]	2.85 [72]	2.65 [67]	1.58 [40]			W2CVT W2CRT (2)	W2CVT W2CRT (2)	----	A2CR (2)	U2CRT (2)	U2CRT (2)	U2CRT (2)
YAZ2C2TC10E290															3	1.74 [44]	2.65 [67]	1.58 [40]	2.85 [72]	2.65 [67]	1.58 [40]			W2CVT W2CRT (2)	W2CVT W2CRT (2)	----	A2CR (2)	U2CRT (2)	U2CRT (2)	U2CRT (2)
YAZ2C2TC14	#2 AWG [-----]	60	1.25 [32]	.60 [15]	.62 [16]	1.42 [36]	.27 [7]	2.85 [72]	.31 [8]	.42 [11]	.11 [3]	.96 [24]	10	BROWN	W2CVT W2CRT (2)	W2CVT W2CRT (2)	----	A2CR (2)	U2CRT (2)	U2CRT (2)	U2CRT (2)									
YAZ2C2TC1445															2	1.74 [44]	2.65 [67]	1.58 [40]	2.85 [72]	2.65 [67]	1.58 [40]	W2CVT W2CRT (2)	W2CVT W2CRT (2)	----	A2CR (2)	U2CRT (2)	U2CRT (2)	U2CRT (2)		
YAZ2C2TC1490															3	1.74 [44]	2.65 [67]	1.58 [40]	2.85 [72]	2.65 [67]	1.58 [40]	W2CVT W2CRT (2)	W2CVT W2CRT (2)	----	A2CR (2)	U2CRT (2)	U2CRT (2)	U2CRT (2)		



NOTES:

1. MATERIAL: COPPER TUBING.
2. FINISH: TIN PLATED
3. CATALOG # PT6515 ADAPTOR IS REQUIRED TO USE "U" DIES IN Y45 SERIES TOOLS.
4. CATALOG # PUADP-1 ADAPTOR IS REQUIRED TO USE "U" DIES IN Y46 SERIES TOOLS.
5. NAVY CABLE SIZE MAY BE OMITTED ON SOME SIZES BECAUSE OF SPACE LIMITATIONS.
6. DIMENSIONS, METRIC WIRE, & METRIC BOLT SIZES IN BRACKETS [ ] ARE IN MILLIMETERS. DIMENSIONS ARE ROUNDED OFF TO THE NEAREST MILLIMETER, UNLESS OTHERWISE NOTED, AND ARE FOR REFERENCE ONLY.
7. FOR USE BY CUSTOMERS THAT HAVE THIS HYPRESS™ NO NEW Y34A HYPRESS™ ARE BEING PROCESSED.

TO ORDER BURNDY® PRODUCTS CALL UNITED STATES 1-800-346-4175 (LONDONDERRY, NH) CANADA: 1-800-361-6975 (QUEBEC) 1-800-387-6487 (ALL OTHER PROVINCES) FOR PRODUCT INFO: <a href="http://www.burndy.com">http://www.burndy.com</a>	HYLUG™	
	ITEM NO:	N/A
	CAT. NO:	YAZ2C-2TC- (SEE TABLE)
	DRAWN BY:	D. BOISVERT 11/12/98
	CHECKER:	K. HENRY 12/03/98
	DSN APPVL:	B. MACDONALD 12/02/98
	MFG APPVL:	N/A
	QA APPVL:	S. GARY 11/30/98
	MKT APPVL:	B. HARDGROVE 11/25/98
	PROJ #:	---
SIZE:	D	
SCALE:	4:1	
DRAWING NO:	SE211915	
REV:	A	
SHEET:	13 OF 36	