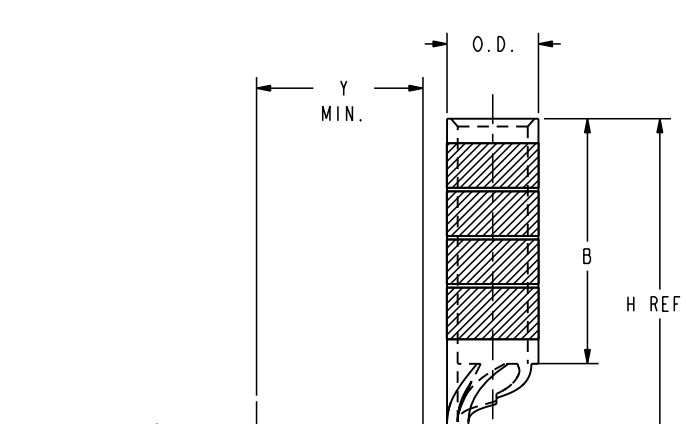
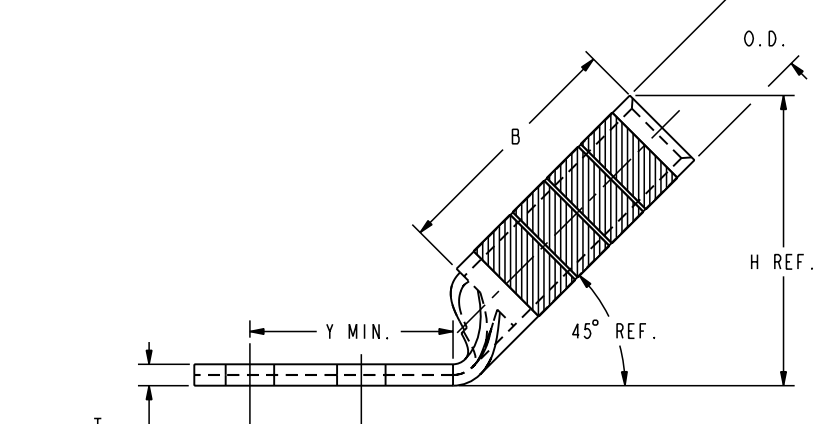
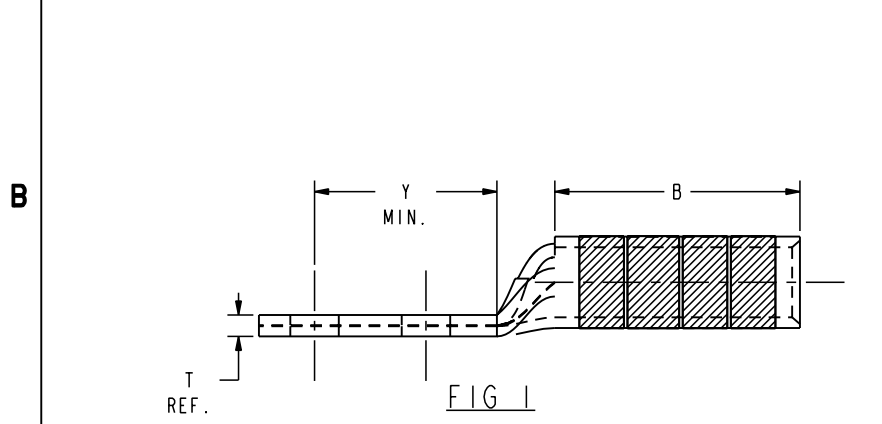
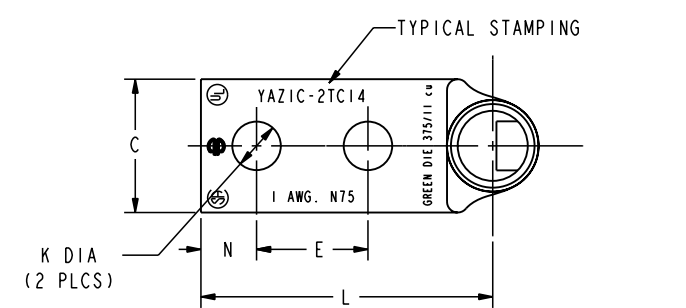
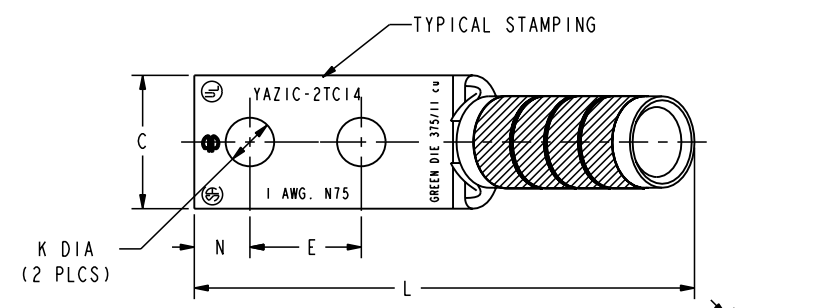
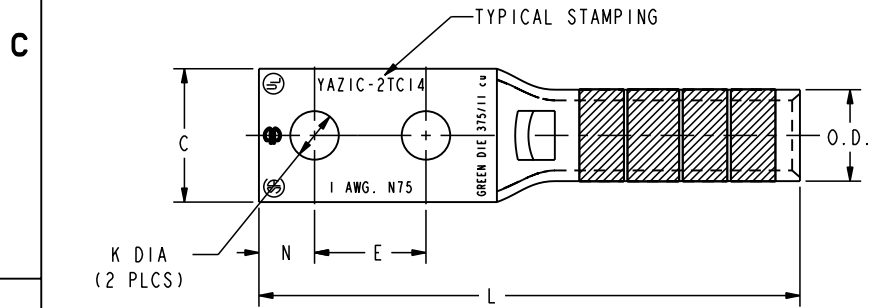


REV	DATE	DESCRIPTION	ECO	BY	C'H'K.
A	4/11/2008 12:00:00 AM	REDRAW INTO PRO-E & CATALOG NUMBER UPDATION	16757	DG	BSK

CATALOG NO.	CONDUCTOR		BOLT SIZE	FIG. NO.	DIMENSIONS										INSTALLATION TOOLING (# CRIMPS)										
	CODE (AWG)	NAVY			B	C	E	H REF.	K DIA.	L	N	O.D.	T REF.	Y MIN.	DIE INDEX	COLOR CODE	MECHANICAL RATCHET			HYDRAULIC				DIELESS (# CRIMPS)	WIRE STRIP LENGTH
																	MD7-34R MD6	OUR840	Y2MR	Y34A	Y750 Y35, BAT35 Y39, BAT750	Y46	Y45		
YAZIC2TC14	#1 AWG [-----]	75	1.38 [35]	.67 [17]	.62 [16]	----	.27 [7]	3.01 [76]	.31 [8]	.46 [12]	.10 [3]	.96 [24]	11 OR 375	GREEN	WICVT WICRT (2)	WICVT WICRT (2)	----	AICR A4CAB (2)	UICRT U4CABT (2)	UICRT U4CABT (2)	UICRT U4CABT (2)	MECHANICAL: MY29-11 (1)	1-7/16		
YAZIC2TC1445	↑	↑	↑	↑	↑	↑	↑	↑	↑	↑	↑	↑	↑	↑	↑	↑	↑	↑	↑	↑	↑	↑	↑		
YAZIC2TC1490	↑	↑	↑	↑	↑	↑	↑	↑	↑	↑	↑	↑	↑	↑	↑	↑	↑	↑	↑	↑	↑	↑	↑		
YAZIC2TC14E2	↓	↓	↓	↓	↓	↓	↓	↓	↓	↓	↓	↓	↓	↓	↓	↓	↓	↓	↓	↓	↓	↓	↓		
YAZIC2TC14E245	↓	↓	↓	↓	↓	↓	↓	↓	↓	↓	↓	↓	↓	↓	↓	↓	↓	↓	↓	↓	↓	↓	↓		
YAZIC2TC14E290	#1 AWG [-----]	75	1.38 [35]	.67 [17]	.75 [19]	----	.27 [7]	2.87 [73]	.31 [8]	.46 [12]	.10 [3]	1.09 [28]	11 OR 375	GREEN	WICVT WICRT (2)	WICVT WICRT (2)	----	AICR A4CAB (2)	UICRT U4CABT (2)	UICRT U4CABT (2)	UICRT U4CABT (2)	HYDRAULIC: Y644, Y644M Y644MBH, Y1000 Y1000BH (1)	1-7/16		



- NOTES:
- MATERIAL: COPPER TUBING.
 - FINISH: TIN PLATED
 - CATALOG # PT6515 ADAPTOR IS REQUIRED TO USE "U" DIES IN Y45 SERIES TOOLS.
 - CATALOG # PUADP-1 ADAPTOR IS REQUIRED TO USE "U" DIES IN Y46 SERIES TOOLS.
 - NAVY CABLE SIZE MAY BE OMITTED ON SOME SIZES BECAUSE OF SPACE LIMITATIONS.
 - DIMENSIONS, METRIC WIRE, & METRIC BOLT SIZES IN BRACKETS [] ARE IN MILLIMETERS. DIMENSIONS ARE ROUNDED OFF TO THE NEAREST MILLIMETER, UNLESS OTHERWISE NOTED, AND ARE FOR REFERENCE ONLY.
 - FOR USE BY CUSTOMERS THAT HAVE THIS HYPRESS.™ NO NEW Y34A HYPRESS™ ARE BEING PROCESSED.

TO ORDER BURNDY® PRODUCTS CALL UNITED STATES 1-800-346-4175 (LONDONDERRY, NH) CANADA: 1-800-361-6975 (QUEBEC) 1-800-387-6487 (ALL OTHER PROVINCES) FOR PRODUCT INFO: http://www.burndy.com	HYLUG™	
	ITEM NO:	N/A
	CAT. NO:	YAZIC-2TC- (SEE TABLE)
	DRAWN BY:	D. BOISVERT 11/12/98
	CHECKER:	K. HENRY 12/03/98
	DSN APPVL:	B. MACDONALD 12/02/98
	MFG APPVL:	N/A
	QA APPVL:	S. GARY 11/30/98
	MKT APPVL:	B. HARDGROVE 11/25/98
	PROJ #:	---
DOCUMENT TYPE:	Sales	
REL LEVEL:	Released	
SCALE:	4:1	
DRAWING NO:	SE211915	
REV:	A	
SHEET:	18 OF 36	