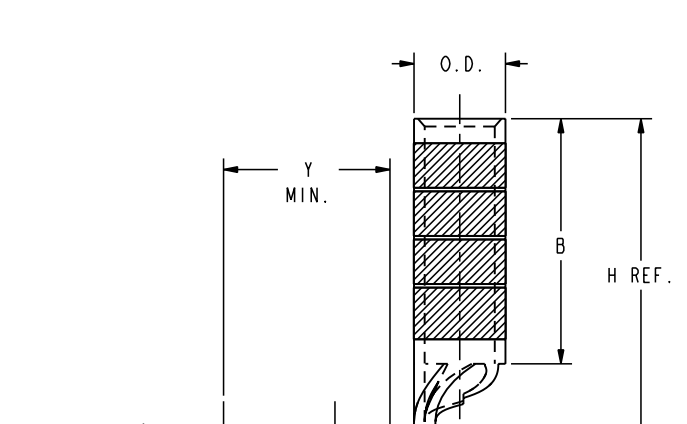
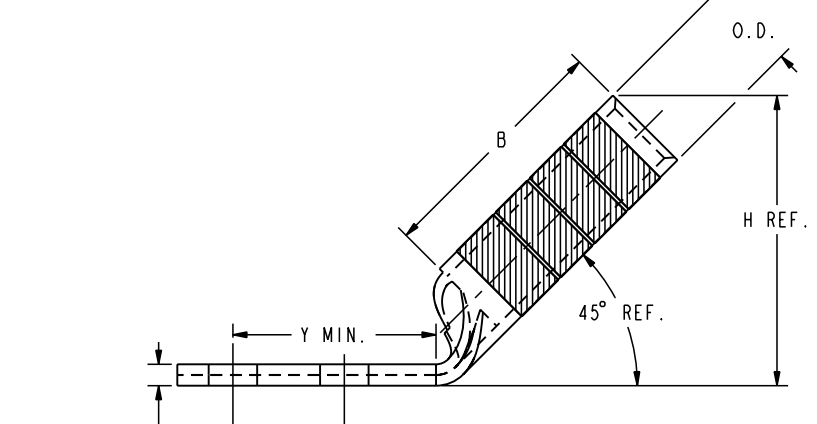
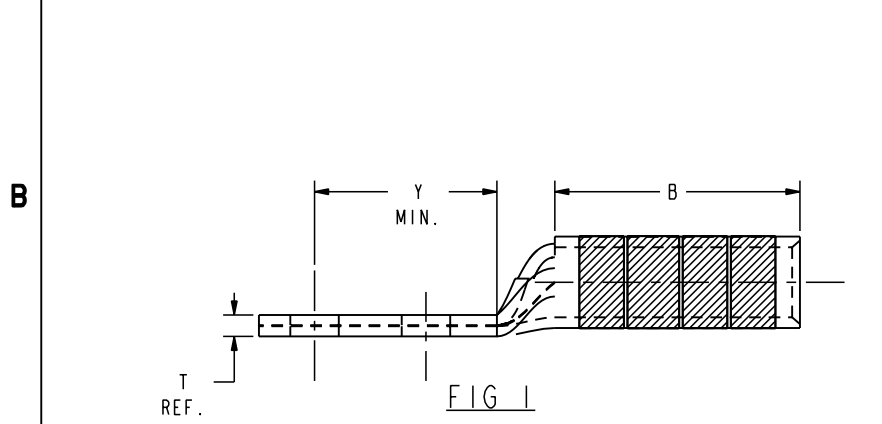
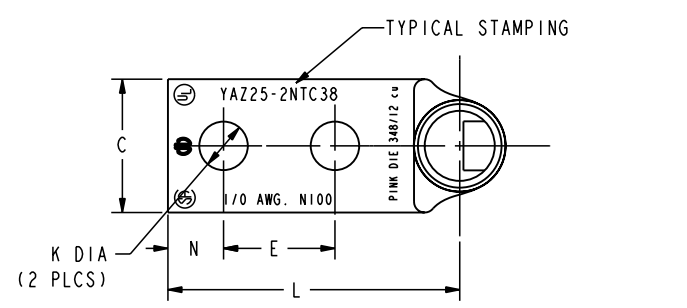
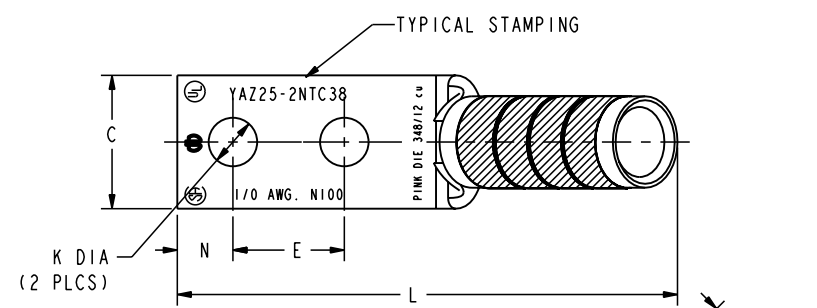
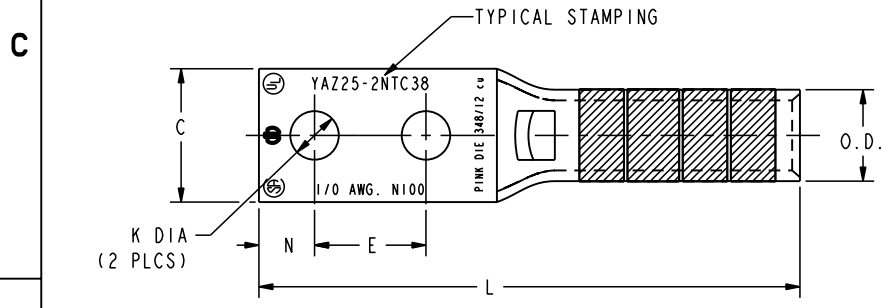


REV	DATE	DESCRIPTION	ECO	BY	C'H'K.
A	4/11/2008 12:00:00 AM	REDRAW INTO PRO-E & CATALOG NUMBER UPDATION	16757	DG	BSK

CATALOG NO.	CONDUCTOR		BOLT SIZE	FIG. NO.	DIMENSIONS										INSTALLATION TOOLING (# CRIMPS)										
	CODE (AWG)	NAVY			B	C	E	H REF.	K DIA.	L	N	O.D.	T REF.	Y MIN.	DIE INDEX	COLOR CODE	MECHANICAL RATCHET			HYDRAULIC				DIELESS (# CRIMPS)	WIRE STRIP LENGTH
																	MD7-34R MD6	OUR840	Y2MR	Y34A	Y750	Y46	Y45		
YAZ252NTC38	1/0 AWG [-----]	100	±.06	±.04	±.02	----	±.02	±.09	±.04	±.01	.12	2.18	12 OR 348	PINK	W25VT W25RT (4)	W25VT W25RT (4)	----	A25R A2CAB (2)	U25RT U2CABT (2)	U25RT U2CABT (2)	U25RT U2CABT (2)	MECHANICAL MY29-11 (1)	1-7/16		
YAZ252NTC3845	↑	↑	↑	↑	↑	↑	↑	↑	↑	↑	↑	↑	↑	↑	↑	↑	↑	↑	↑	↑	↑	↑			
YAZ252NTC3890	↑	↑	↑	↑	↑	↑	↑	↑	↑	↑	↑	↑	↑	↑	↑	↑	↑	↑	↑	↑	↑	↑			
YAZ252NTC	↓	↓	↓	↓	↓	↓	↓	↓	↓	↓	↓	↓	↓	↓	↓	↓	↓	↓	↓	↓	↓	↓			
YAZ252NTC45	1/0 AWG [-----]	100	±.06	±.04	±.02	----	±.02	±.09	±.04	±.01	.12	2.40	12 OR 348	PINK	W25VT W25RT (4)	W25VT W25RT (4)	----	A25R A2CAB (2)	U25RT U2CABT (2)	U25RT U2CABT (2)	U25RT U2CABT (2)	HYDRAULIC Y644, Y644M Y644MBH Y1000 Y1000BH (1)	1-7/16		
YAZ252NTC90	↑	↑	↑	↑	↑	↑	↑	↑	↑	↑	↑	↑	↑	↑	↑	↑	↑	↑	↑	↑	↑	↑			



- NOTES:
- MATERIAL: COPPER TUBING.
  - FINISH: TIN PLATED
  - CATALOG # PT6515 ADAPTOR IS REQUIRED TO USE "U" DIES IN Y45 SERIES TOOLS.
  - CATALOG # PUADP-1 ADAPTOR IS REQUIRED TO USE "U" DIES IN Y46 SERIES TOOLS.
  - NAVY CABLE SIZE MAY BE OMITTED ON SOME SIZES BECAUSE OF SPACE LIMITATIONS.
  - DIMENSIONS, METRIC WIRE, & METRIC BOLT SIZES IN BRACKETS [ ] ARE IN MILLIMETERS. DIMENSIONS ARE ROUNDED OFF TO THE NEAREST MILLIMETER, UNLESS OTHERWISE NOTED, AND ARE FOR REFERENCE ONLY.
  - FOR USE BY CUSTOMERS THAT HAVE THIS HYPRESS™ NO NEW Y34A HYPRESS™ ARE BEING PROCESSED.

TO ORDER BURNDY® PRODUCTS CALL UNITED STATES 1-800-346-4175 (LONDONDERRY, NH) CANADA: 1-800-361-6975 (QUEBEC) 1-800-387-6487 (ALL OTHER PROVINCES) FOR PRODUCT INFO: <a href="http://www.burndy.com">http://www.burndy.com</a>	HYLUG™	
	ITEM NO:	N/A
	CAT. NO:	YAZ25-2NTC- (SEE TABLE)
	DRAWN BY:	D. BOISVERT 11/09/98
	CHECKER:	K. HENRY 12/03/98
	DSN APPVL:	B. MACDONALD 12/02/98
	MFG APPVL:	N/A
	QA APPVL:	S. GARY 11/30/98
	MKT APPVL:	B. HARDGROVE 11/25/98
	PROJ #:	---
DOCUMENT TYPE:	Sales	
REL LEVEL:	Released	
SCALE:	4:1	
DRAWING NO:	SE211915	
REV:	A	
SHEET:	23 OF 36	