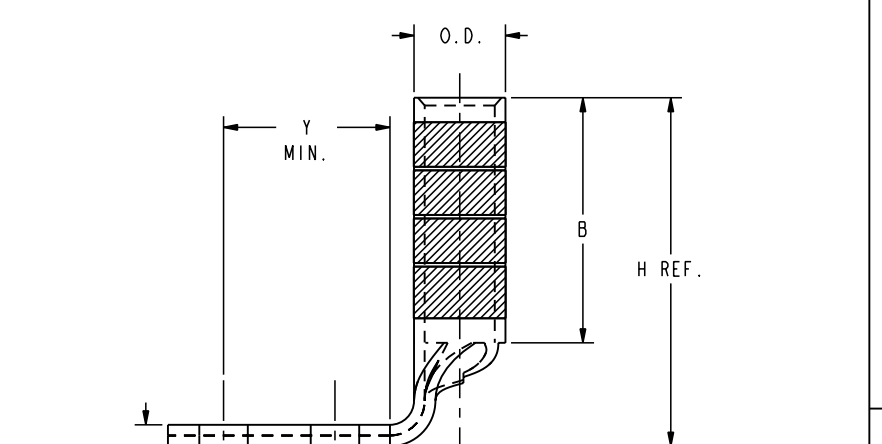
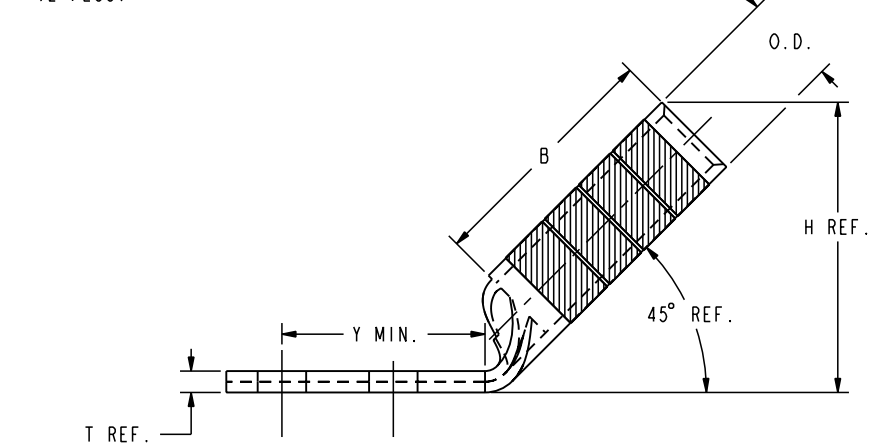
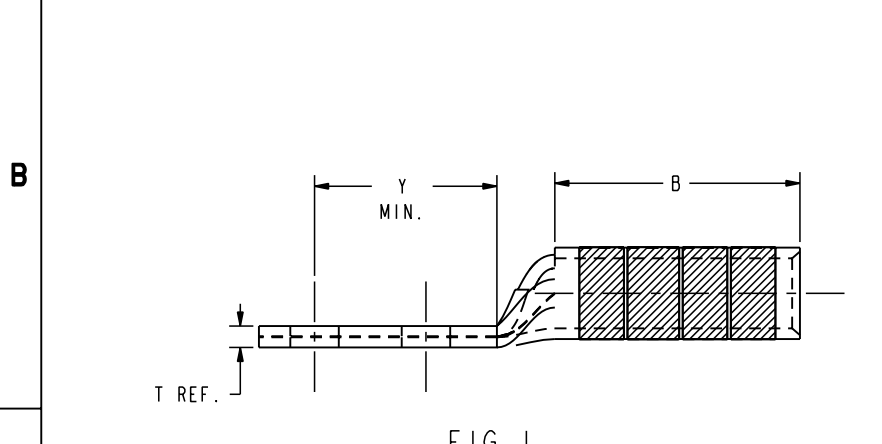
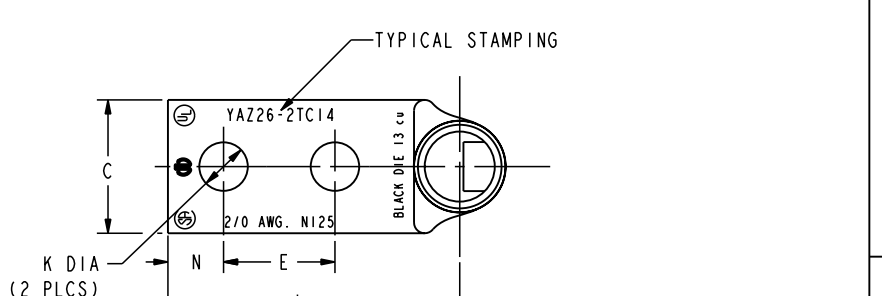
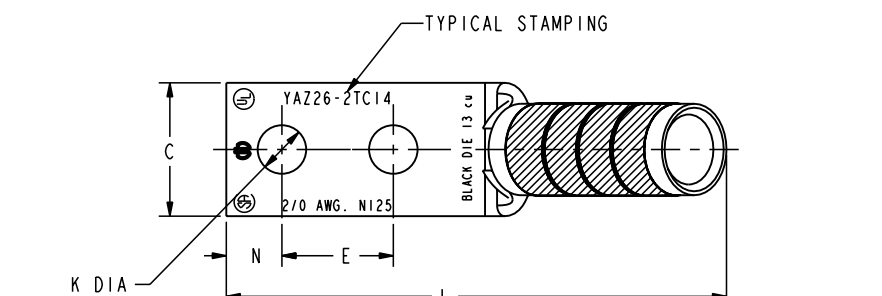
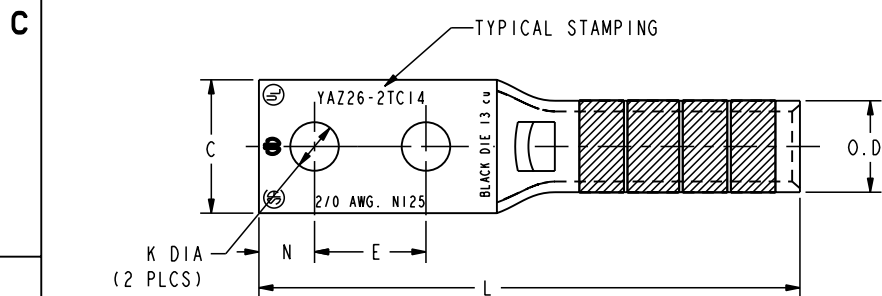


REV	DATE	DESCRIPTION	ECO	BY	C'H'K.
A	4/11/2008 12:00:00 AM	REDRAW INTO PRO-E & CATALOG NUMBER UPDATION	16757	DG	BSK

CATALOG NO.	CONDUCTOR		BOLT SIZE	FIG. NO.	DIMENSIONS										INSTALLATION TOOLING (# CRIMPS)										
	CODE (AWG)	NAVY			B	C	E	H REF.	K DIA.	L	N	O.D.	T REF.	Y MIN.	DIE INDEX	COLOR CODE	MECHANICAL RATCHET			HYDRAULIC				DIELESS (# CRIMPS)	WIRE STRIP LENGTH
																	MD7-34R MD6	OUR840	Y2MR	Y34A	Y750 Y35, BAT35 Y39, BAT750	Y46	Y45		
YAZ262TC14	2/0 AWG [70mm ² STR]	125	1/4 [M6]	1	1.50 [38]	.83 [21]	.62 [16]	----	.27 [7]	3.20 [81]	.31 [8]	.56 [14]	.12 [3]	13	BLACK	W26VT W26RT (4)	W26VT W26RT (4)	----	A26R (2)	U26RT (2)	U26RT (2)	U26RT (2)	MECHANICAL: MY29-11 (1) HYDRAULIC: Y644, Y644M Y644MBH, Y1000 Y1000BH (1)	1-9/16	
YAZ262TC1445					2	1.78 [45]		2.92 [74]	1.66 [42]	3.32 [84]	1.09 [28]	W26VT W26RT (4)	W26VT W26RT (4)			A26R (2)	U26RT (2)	U26RT (2)	U26RT (2)						
YAZ262TC1490					3	2.12 [54]		3.05 [77]	1.79 [45]	3.20 [81]	2.92 [74]	W26VT W26RT (4)	W26VT W26RT (4)			A26R (2)	U26RT (2)	U26RT (2)	U26RT (2)						
YAZ262TC14E2					1	----		3.32 [84]	1.09 [28]	3.20 [81]	2.92 [74]	W26VT W26RT (4)	W26VT W26RT (4)			A26R (2)	U26RT (2)	U26RT (2)	U26RT (2)						
YAZ262TC14E245					2	.75 [19]		1.78 [45]	2.12 [54]	3.20 [81]	2.92 [74]	W26VT W26RT (4)	W26VT W26RT (4)			A26R (2)	U26RT (2)	U26RT (2)	U26RT (2)						
YAZ262TC14E290					3	.83 [21]		2.12 [54]	3.05 [77]	3.20 [81]	2.92 [74]	W26VT W26RT (4)	W26VT W26RT (4)			A26R (2)	U26RT (2)	U26RT (2)	U26RT (2)						
YAZ262NT14					1	----		3.20 [81]	1.09 [28]	3.20 [81]	2.92 [74]	W26VT W26RT (4)	W26VT W26RT (4)			A26R (2)	U26RT (2)	U26RT (2)	U26RT (2)						
YAZ262NT1445					2	.75 [19]		1.78 [45]	2.12 [54]	3.20 [81]	2.92 [74]	W26VT W26RT (4)	W26VT W26RT (4)			A26R (2)	U26RT (2)	U26RT (2)	U26RT (2)						
YAZ262NT1490	3	1.50 [38]	1/4 [M6]	3	1.50 [38]	.75 [19]	.62 [16]	1.78 [45]	2.12 [54]	3.20 [81]	.31 [8]	.56 [14]	.12 [3]	1.09 [28]	13	BLACK	W26VT W26RT (4)	W26VT W26RT (4)	----	A26R (2)	U26RT (2)	U26RT (2)	U26RT (2)	1-9/16	



- NOTES:
- MATERIAL: COPPER TUBING.
 - FINISH: TIN PLATED
 - CATALOG # PT6515 ADAPTOR IS REQUIRED TO USE "U" DIES IN Y45 SERIES TOOLS.
 - CATALOG # PUADP-1 ADAPTOR IS REQUIRED TO USE "U" DIES IN Y46 SERIES TOOLS.
 - NAVY CABLE SIZE MAY BE OMITTED ON SOME SIZES BECAUSE OF SPACE LIMITATIONS.
 - DIMENSIONS, METRIC WIRE, & METRIC BOLT SIZES IN BRACKETS [] ARE IN MILLIMETERS. DIMENSIONS ARE ROUNDED OFF TO THE NEAREST MILLIMETER, UNLESS OTHERWISE NOTED, AND ARE FOR REFERENCE ONLY.
 - FOR USE BY CUSTOMERS THAT HAVE THIS HYPRESS™ NO NEW Y34A HYPRESS™ ARE BEING PROCESSED.

TO ORDER BURNDY® PRODUCTS CALL		HYLUG™	
UNITED STATES 1-800-346-4175 (LONDONDERRY, NH)		ITEM NO: N/A	CAT. NO: YAZ26-2--- (SEE TABLE)
CANADA: 1-800-361-6975 (QUEBEC) 1-800-387-6487 (ALL OTHER PROVINCES)		DRAWN BY: D. BOISVERT 11/12/98	CHECKER: K. HENRY 12/03/98
FOR PRODUCT INFO: http://www.burndy.com		DSN APPVL: B. MACDONALD 11/30/98	MFG APPVL: N/A
		QA APPVL: S. GARY 11/30/98	MKT APPVL: N/A
		PROJ #:	SCALE: 4:1
		SIZE: D	DRAWING NO: SE211915
		REL LEVEL: Released	REV: A
			SHEET 24 OF 36