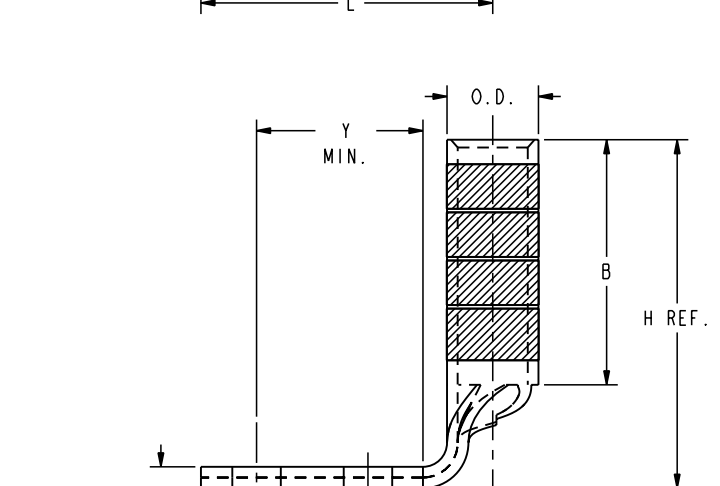
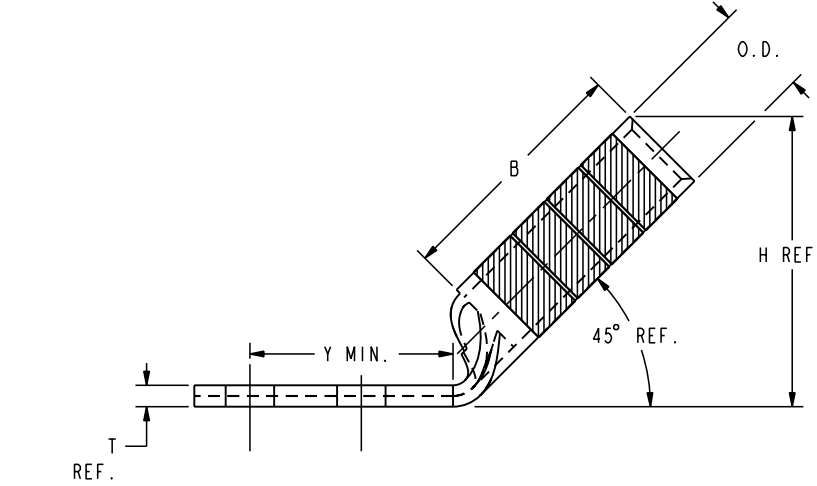
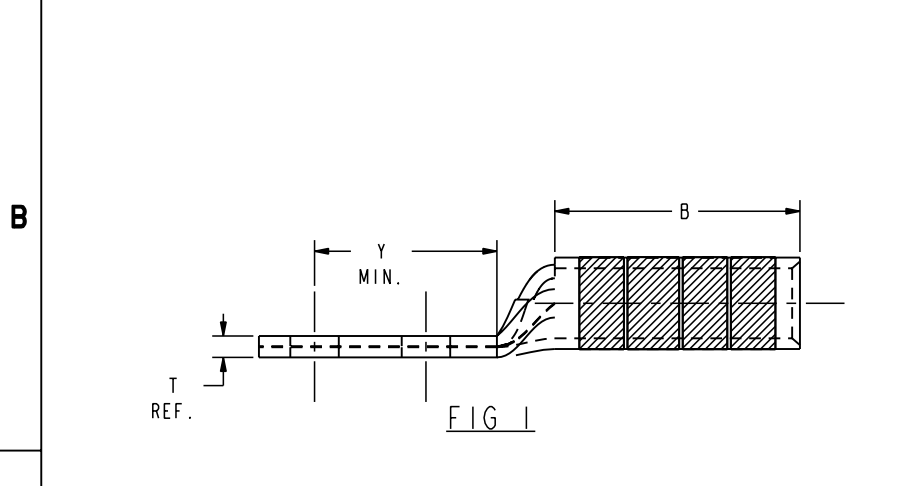
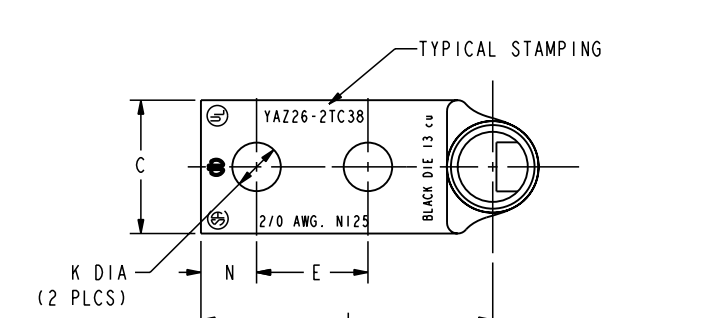
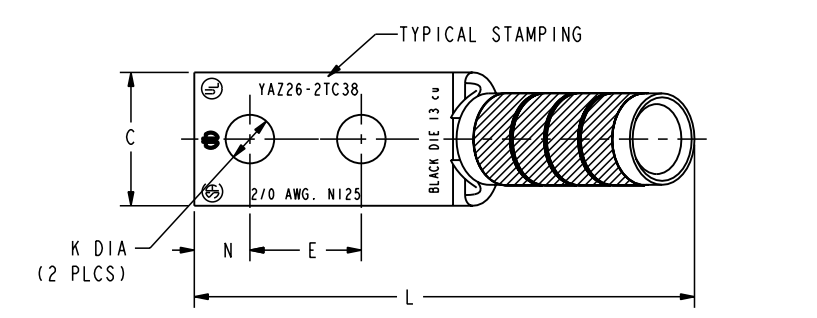
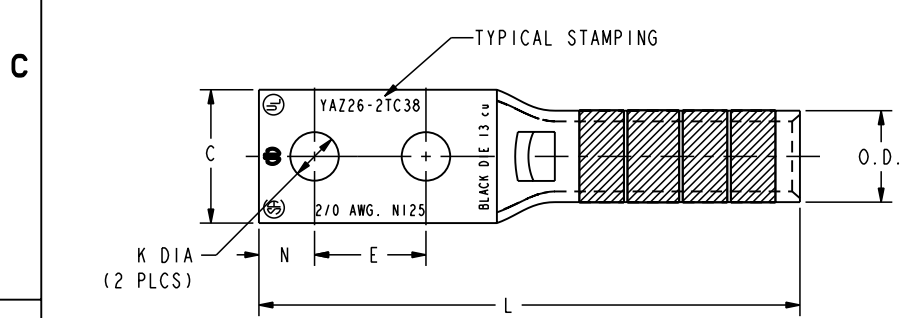


REV	DATE	DESCRIPTION	ECO	BY	C'H'K.
A	4/11/2008 12:00:00 AM	REDRAW INTO PRO-E & CATALOG NUMBER UPDATION	16757	DG	BSK

CATALOG. NO.	CONDUCTOR		BOLT SIZE	FIG. NO.	DIMENSIONS										INSTALLATION TOOLING (# CRIMPS)										
	CODE (AWG)	NAVY			B	C	E	H REF.	K DIA.	L	N	O.D.	T REF.	Y MIN.	DIE INDEX	COLOR CODE	MECHANICAL RATCHET			HYDRAULIC				DIELESS (# CRIMPS)	WIRE STRIP LENGTH
																	MD7-34R MD6	OUR840	Y2MR	Y34A	Y750	Y46	Y45		
YAZ262TC38	2/0 AWG [70mm ² STR]	125	1.50	.83	1.00	----	.40	3.76	.41	.56	.12	1.43	13	BLACK	W26VT	W26VT	----	A26R	U26RT	U26RT	U26RT	MECHANICAL: MY29-11 (1) HYDRAULIC: Y644, Y644M Y644MBH, Y1000 Y1000BH (1)	1-9/16		
YAZ262TC3845			1.78	1.00	1.78	.40	3.48	.41	.56	.12	1.43	13	BLACK	W26VT	W26VT	----	A26R	U26RT	U26RT	U26RT					
YAZ262TC3890			2.12	1.00	2.12	.40	2.22	.41	.56	.12	1.43	13	BLACK	W26VT	W26VT	----	A26R	U26RT	U26RT	U26RT					
YAZ262NTC	2/0 AWG [70mm ² STR]	125	1.50	.83	1.75	----	.56	4.95	.62	.56	.12	2.40	13	BLACK	W26VT	W26VT	----	A26R	U26RT	U26RT	U26RT	MECHANICAL: MY29-11 (1) HYDRAULIC: Y644, Y644M Y644MBH, Y1000 Y1000BH (1)	1-9/16		
YAZ262NTC45			1.78	1.75	1.78	.56	4.67	.62	.56	.12	2.40	13	BLACK	W26VT	W26VT	----	A26R	U26RT	U26RT	U26RT					
YAZ262NTC90			2.12	1.75	2.12	.56	3.41	.62	.56	.12	2.40	13	BLACK	W26VT	W26VT	----	A26R	U26RT	U26RT	U26RT					



- NOTES:
- MATERIAL: COPPER TUBING.
 - FINISH: TIN PLATED
 - CATALOG # PT6515 ADAPTOR IS REQUIRED TO USE "U" DIES IN Y45 SERIES TOOLS.
 - CATALOG # PUADP-1 ADAPTOR IS REQUIRED TO USE "U" DIES IN Y46 SERIES TOOLS.
 - NAVY CABLE SIZE MAY BE OMITTED ON SOME SIZES BECAUSE OF SPACE LIMITATIONS.
 - DIMENSIONS, METRIC WIRE, & METRIC BOLT SIZES IN BRACKETS [] ARE IN MILLIMETERS. DIMENSIONS ARE ROUNDED OFF TO THE NEAREST MILLIMETER, UNLESS OTHERWISE NOTED, AND ARE FOR REFERENCE ONLY.
 - FOR USE BY CUSTOMERS THAT HAVE THIS HYPRESS™ NO NEW Y34A HYPRESS™ ARE BEING PROCESSED.

TO ORDER BURNDY® PRODUCTS CALL		HYLUG™	
UNITED STATES 1-800-346-4175 (LONDONDERRY, NH)		ITEM NO: N/A	CAT. NO: YAZ26-2TC-, -2NTC (TABLE)
CANADA: 1-800-361-6975 (QUEBEC) 1-800-387-6487 (ALL OTHER PROVINCES)		DRAWN BY: D. BOISVERT 11/12/98	CHECKER: K. HENRY 12/03/98
FOR PRODUCT INFO: http://www.burndy.com		DSN APPVL: B. MACDONALD 12/02/98	MFG APPVL: N/A
		QA APPVL: S. GARY 11/30/98	MKT APPVL: B. HARDGROVE 11/25/98
		PROJ #:	SCALE: 4:1
		SIZE: D	DRAWING NO: SE211915
		REL LEVEL: Released	REV: A
			SHEET 25 OF 36