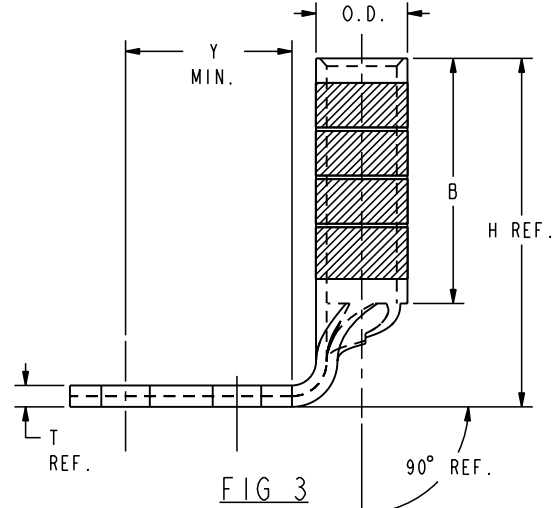
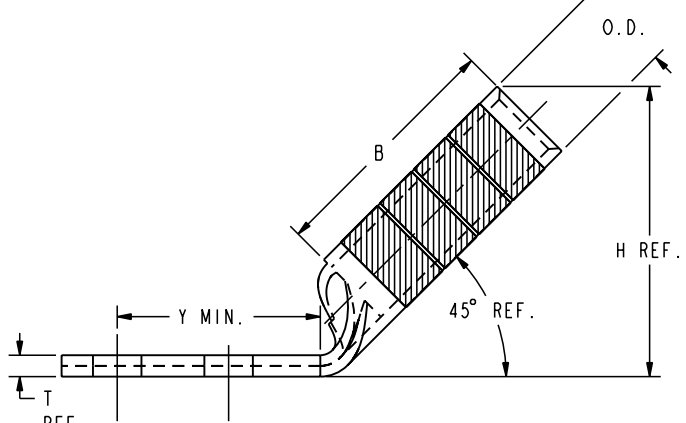
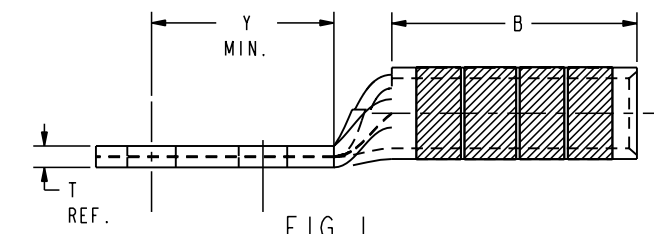
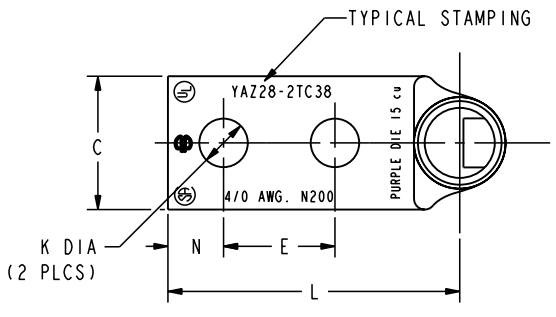
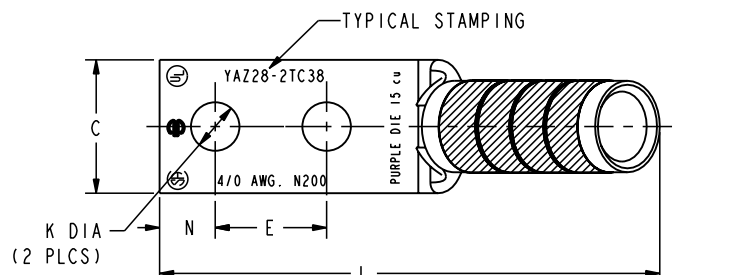
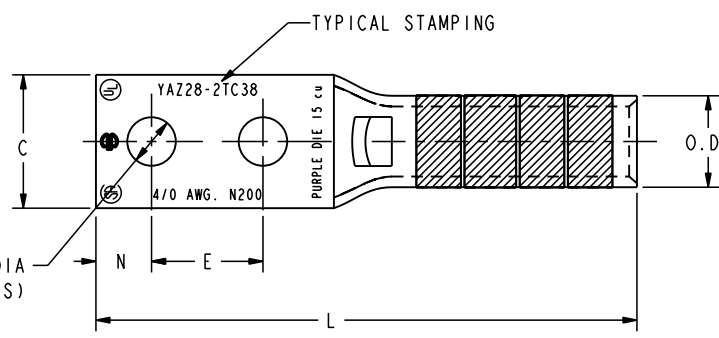


REV	DATE	DESCRIPTION	ECO	BY	C'H'K.
A	4/11/2008 12:00:00 AM	REDRAW INTO PRO-E & CATALOG NUMBER UPDATION	16757	DG	BSK

CATALOG NO.	CONDUCTOR		BOLT SIZE	FIG. NO.	DIMENSIONS										INSTALLATION TOOLING (# CRIMPS)												
	CODE (AWG)	NAVY			B	C	E	H REF.	K DIA.	L	N	O.D.	T REF.	Y MIN.	DIE INDEX	COLOR CODE	MECHANICAL RATCHET		HYDRAULIC						DIELESS (# CRIMPS)	WIRE STRIP LENGTH	
																	MD7-34R MD6	OUR840	Y34A	Y750 Y35, BAT35 Y39, BAT750	Y46	Y45	Y48B	Y60B			
D YAZ282TC14E2	4/0 AWG [----]	200	1.62 [41]	1.02 [26]	.75 [19]	----	.27 [7]	3.55 [90]	.31 [8]	.69 [18]	.14 [4]	1.09 [28]	15	PURPLE	W28VT	W28VT	A28R	U28RT	U28RT	U28RT	C28R	L28RT	MECHANICAL: MY29-11 (1)  HYDRAULIC: Y644, Y644M Y644MBH, Y1000 Y1000BH (1)	1-11/16			
YAZ282TC14E245															W28RT	W28RT											
YAZ282TC14E290															W28RT	W28RT											
YAZ282TC38	4/0 AWG [----]	200	1.62 [41]	1.02 [26]	.62 [16]	----	.40 [10]	3.99 [101]	.41 [10]	.69 [18]	.14 [4]	1.43 [36]	15	PURPLE	W28VT	W28VT	A28R	U28RT	U28RT	U28RT	C28R	L28RT					
YAZ282TC3845															W28RT	W28RT											
YAZ282TC3890															W28RT	W28RT											
YAZ282TC3890G1																											
YAZ282NT14																											
YAZ282NT1445																											
YAZ282NT1490																											



- NOTES:
- MATERIAL: COPPER TUBING.
  - FINISH: TIN PLATED
  - CATALOG # PT6515 ADAPTOR IS REQUIRED TO USE "U" DIES IN Y45 SERIES TOOLS.
  - CATALOG # PUADP-1 ADAPTOR IS REQUIRED TO USE "U" DIES IN Y46 SERIES TOOLS.
  - NAVY CABLE SIZE MAY BE OMITTED ON SOME SIZES BECAUSE OF SPACE LIMITATIONS.
  - DIMENSIONS, METRIC WIRE, & METRIC BOLT SIZES IN BRACKETS [ ] ARE IN MILLIMETERS. DIMENSIONS ARE ROUNDED OFF TO THE NEAREST MILLIMETER, UNLESS OTHERWISE NOTED, AND ARE FOR REFERENCE ONLY.
  - FOR USE BY CUSTOMERS THAT HAVE THIS HYPRESS™. NO NEW Y34A HYPRESS™ ARE BEING PROCESSED.
  - OVERLAPPING CRIMPS ARE REQUIRED ON THESE SIZES.

TO ORDER BURNDY® PRODUCTS CALL UNITED STATES 1-800-346-4175 (LONDONDERRY, NH) CANADA: 1-800-361-6975 (QUEBEC) 1-800-387-6487 (ALL OTHER PROVINCES) FOR PRODUCT INFO: <a href="http://www.burndy.com">http://www.burndy.com</a>	HYLUG™	
	ITEM NO:	N/A
	CAT. NO:	YAZ28-2-... (SEE TABLE)
	DRAWN BY:	D. BOISVERT 11/12/98
	CHECKER:	K. HENRY 12/03/98
DSN APPVL:	B. MACDONALD 12/02/98	
MFG APPVL:	N/A	
QA APPVL:	S. GARY 11/30/98	
MKT APPVL:	N/A	
PROD FAM:	--	
PROJECT #:	--	
DOCUMENT TYPE:	Sales	
REL LEVEL:	Released	
SCALE:	4:1	
DRAWING NO:	SE211915	
REV:	A	
SHEET:	27 OF 36	