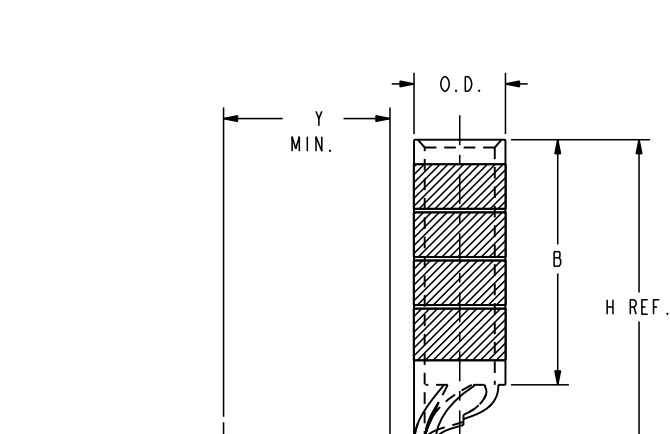
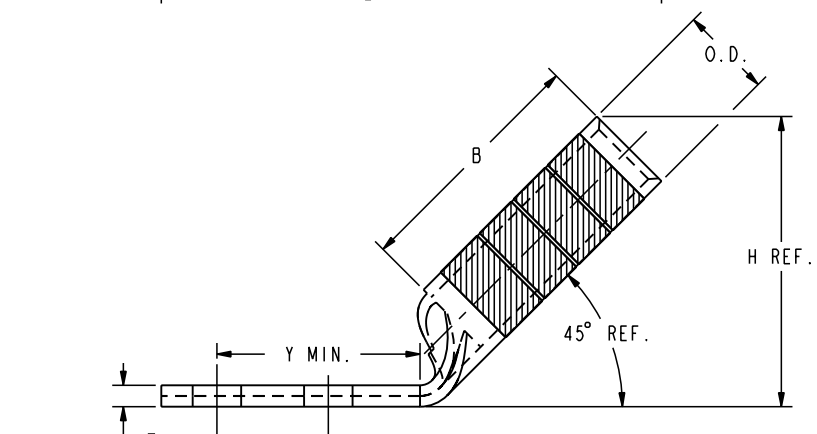
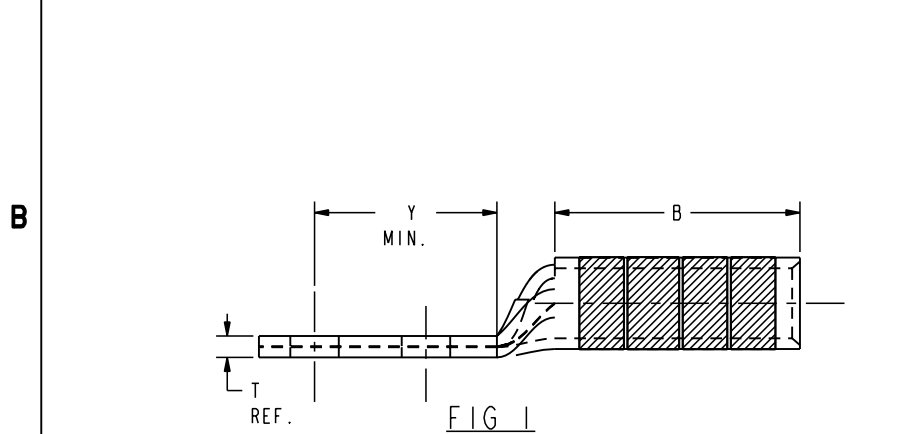
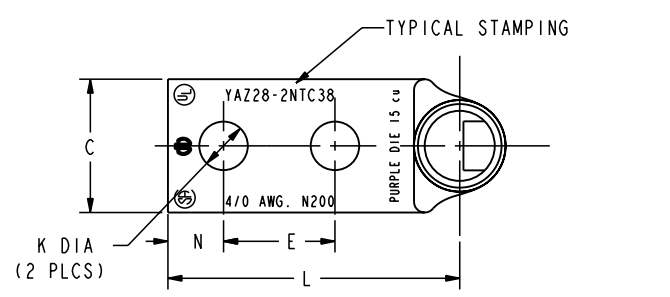
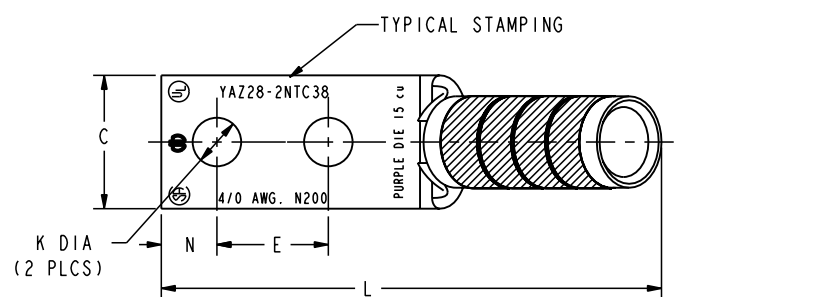
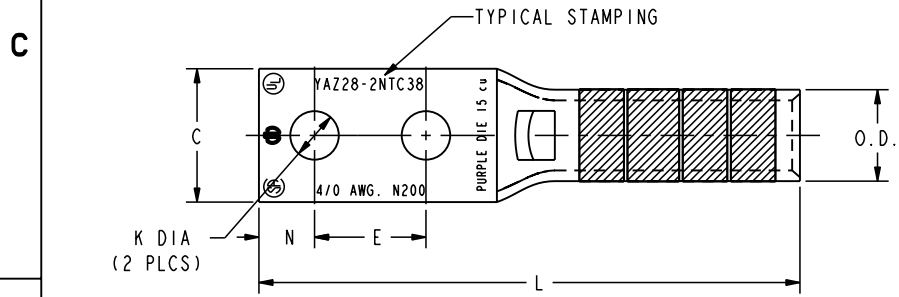


REV	DATE	DESCRIPTION	ECO	BY	C'H'K.
A	4/11/2008 12:00:00 AM	REDRAW INTO PRO-E & CATALOG NUMBER UPDATION	16757	DG	BSK

CATALOG NO.	CONDUCTOR		BOLT SIZE	FIG. NO.	DIMENSIONS										INSTALLATION TOOLING (# CRIMPS)											
	CODE (AWG)	NAVY			B ±.08	C ±.04	E ±.02	H REF.	K DIA. ±.02	L ±.12	N ±.04	O.D. ±.01	T REF.	Y MIN.	DIE INDEX	COLOR CODE	MECHANICAL RATCHET		HYDRAULIC						DIELESS (# CRIMPS)	WIRE STRIP LENGTH
																	MD7-34R MD6	OUR840	Y34A	Y750 Y35, BAT35 Y39, BAT750	Y46	Y45	Y48B	Y60B		
YAZ282NTC38	4/0 AWG [-----]	200		1	1.62 [41]	1.02 [26]	1.75 [44]	----		4.74 [120]		.69 [18]	.14 [4]		15	PURPLE	W28VT W28RT (4)	W28VT W28RT (4)	A28R (2)	U28RT (2)	U28RT (2)	U28RT (2)	C28R (2)	L28RT (1)	MECHANICAL: MY29-11 (1)	1-11/16
YAZ282NTC3845				2					4.44 [113]	.41 [10]																
YAZ282NTC3890				3					3.05 [77]																	
YAZ282NTC				1					5.15 [131]																	
YAZ282NTC45				2					4.86 [123]	.56 [14]																
YAZ282NTC90	4/0 AWG [-----]	200		3	1.62 [41]	1.02 [26]	1.75 [44]	----	3.49 [89]	.62 [16]		.69 [18]	.14 [4]		15	PURPLE	W28VT W28RT (4)	W28VT W28RT (4)	A28R (2)	U28RT (2)	U28RT (2)	U28RT (2)	C28R (2)	L28RT (1)	HYDRAULIC: Y644, Y644M Y644MBH, Y1000 Y1000BH (1)	1-11/16



- NOTES:
1. MATERIAL: COPPER TUBING.
 2. FINISH: TIN PLATED
 3. CATALOG # PT6515 ADAPTOR IS REQUIRED TO USE "U" DIES IN Y45 SERIES TOOLS.
 4. CATALOG # PUADP-1 ADAPTOR IS REQUIRED TO USE "U" DIES IN Y46 SERIES TOOLS.
 5. NAVY CABLE SIZE MAY BE OMITTED ON SOME SIZES BECAUSE OF SPACE LIMITATIONS.
 6. DIMENSIONS, METRIC WIRE, & METRIC BOLT SIZES IN BRACKETS [] ARE IN MILLIMETERS. DIMENSIONS ARE ROUNDED OFF TO THE NEAREST MILLIMETER, UNLESS OTHERWISE NOTED, AND ARE FOR REFERENCE ONLY.
 7. FOR USE BY CUSTOMERS THAT HAVE THIS HYPRESS™ NO NEW Y34A HYPRESS™ ARE BEING PROCESSED.
 8. OVERLAPPING CRIMPS ARE REQUIRED ON THESE SIZES.

TO ORDER BURNDY® PRODUCTS CALL UNITED STATES 1-800-346-4175 (LONDONDERRY, NH) CANADA: 1-800-361-6975 (QUEBEC) 1-800-387-6487 (ALL OTHER PROVINCES) FOR PRODUCT INFO: http://www.burndy.com	HYLUG™	
	ITEM NO:	N/A
	CAT. NO:	YAZ28-2NTC- (TABLE)
	DRAWN BY:	D. BOISVERT 11/12/98
	CHECKER:	K. HENRY 12/03/98
	DSN APPVL:	B. MACDONALD 12/02/98
	MFG APPVL:	N/A
	QA APPVL:	S. GARY 11/30/98
	MKT APPVL:	B. HARDGROVE 11/25/98
	PROJ #:	---
DOCUMENT TYPE:	Sales	
REL LEVEL:	Released	
SCALE:	4:1	
DRAWING NO:	SE211915	
REV:	A	
SHEET:	28 OF 36	

REV: PE0200