

DRAWING NO.  
SE211915

7

6

5

4

3

2

1

REV	DATE	DESCRIPTION	ECO	BY	C'H'K.
A	4/11/2008 12:00:00 AM	REDRAW INTO PRO-E & CATALOG NUMBER UPDATION	16757	DG	BSK

CATALOG NO.	CONDUCTOR		BOLT SIZE	FIG. NO.	DIMENSIONS									INSTALLATION TOOLING (# CRIMPS)												
	CODE (AWG)	NAVY			B	C	E	H REF.	K DIA.	L	N	O.D.	T REF.	Y MIN.	DIE INDEX	COLOR CODE	MECHANICAL RATCHET				HYDRAULIC				DIELESS (# CRIMPS)	WIRE STRIP LENGTH
																	MD7-34R	Y34A	Y750 Y35, BAT35 Y39, BAT750	Y46	Y45	Y48B	Y60B			
YAZ302TC38	300 Kcmil [150mm <sup>2</sup> STR]	300	3/8 [M10]	1	2.00 [51]	1.20 [30]	1.00 [25]	----	.40 [10]	4.42 [112]	.41 [10]	.81 [21]	.16 [4]	1.43 [36]	17 OR 298	WHITE	W30RT (4)	A28R A30R (4)	U30RT U28ART (4)	U30RT U28ART (4)	C30R (1) C28AR (4)	L30RT (1)	HYDRAULIC: Y644, Y644M Y644MBH, Y1000 Y1000BH (1)	2-1/16		
YAZ302TC3845								2																	2.44 [62]	2.37 [60]
YAZ302TC3890								3																	2.86 [73]	2.37 [60]

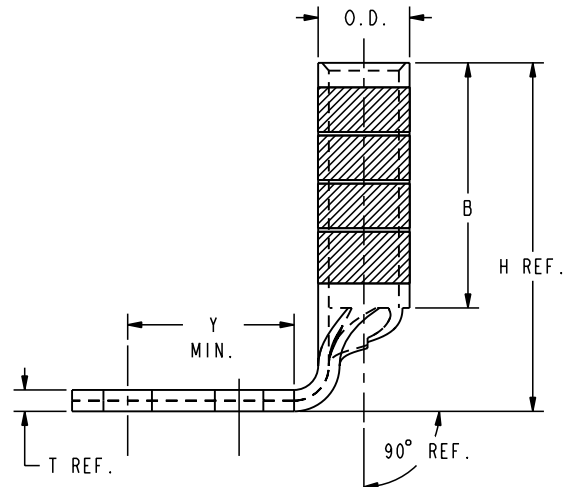
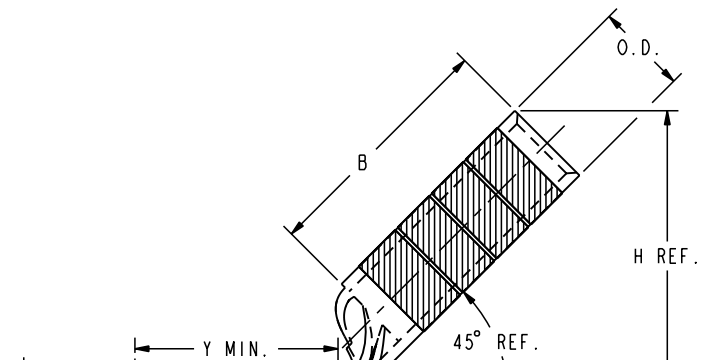
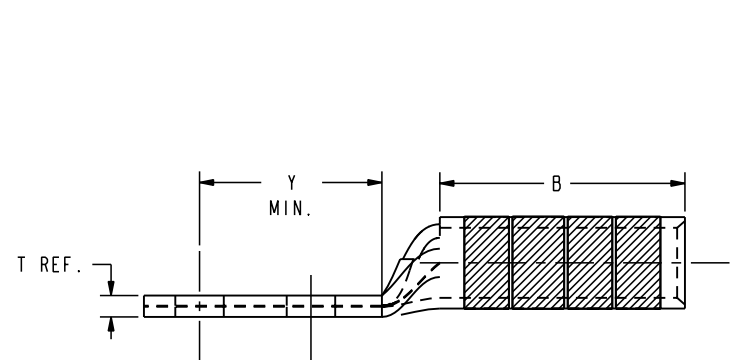
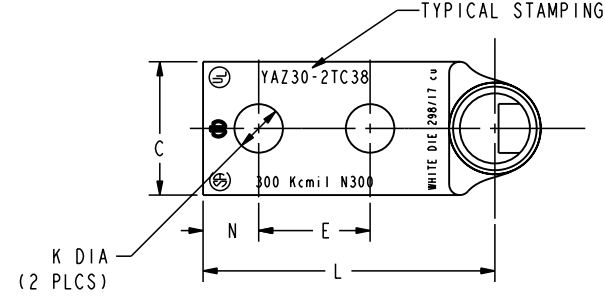
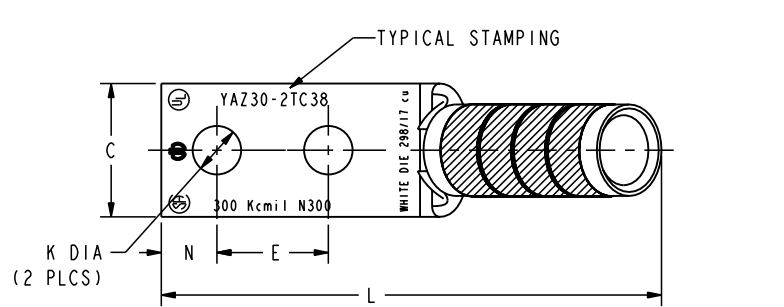
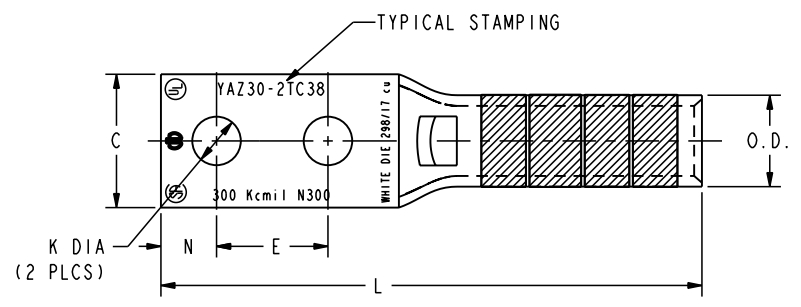


FIG 1

FIG 2

FIG 3

NOTES:

- MATERIAL: COPPER TUBING.
- FINISH: TIN PLATED
- CATALOG # PT6515 ADAPTOR IS REQUIRED TO USE "U" DIES IN Y45 SERIES TOOLS.
- CATALOG # PUADP-1 ADAPTOR IS REQUIRED TO USE "U" DIES IN Y46 SERIES TOOLS.
- NAVY CABLE SIZE MAY BE OMITTED ON SOME SIZES BECAUSE OF SPACE LIMITATIONS.
- DIMENSIONS, METRIC WIRE, & METRIC BOLT SIZES IN BRACKETS [ ] ARE IN MILLIMETERS. DIMENSIONS ARE ROUNDED OFF TO THE NEAREST MILLIMETER, UNLESS OTHERWISE NOTED, AND ARE FOR REFERENCE ONLY.
- FOR USE BY CUSTOMERS THAT HAVE THIS HYPRESS.<sup>TM</sup> NO NEW Y34A HYPRESS.<sup>TM</sup> ARE BEING PROCESSED.

TO ORDER BURNDY® PRODUCTS CALL		HYLUG <sup>TM</sup>	
UNITED STATES 1-800-346-4175 (LONDONDERRY, NH)		ITEM NO: N/A	CAT. NO: YAZ30-2TC- (SEE TABLE)
CANADA: 1-800-361-6975 (QUEBEC) 1-800-387-6487 (ALL OTHER PROVINCES)		DRAWN BY: D. BOISVERT 11/12/98	CHECKER: K. HENRY 12/03/98
FOR PRODUCT INFO: <a href="http://www.burndy.com">http://www.burndy.com</a>		DSN APPVL: B. MACDONALD 12/02/98	MFG APPVL: N/A --
		QA APPVL: S. GARY 11/30/98	MKT APPVL: B. HARDGROVE 11/25/98
		PROJ #: --	SCALE: 4:1
		SIZE: D	DRAWING NO: SE211915
		REL LEVEL: Released	REV: A
			SHEET 30 OF 36

REV: PE0200

8

7

6

5

4

3

2

1