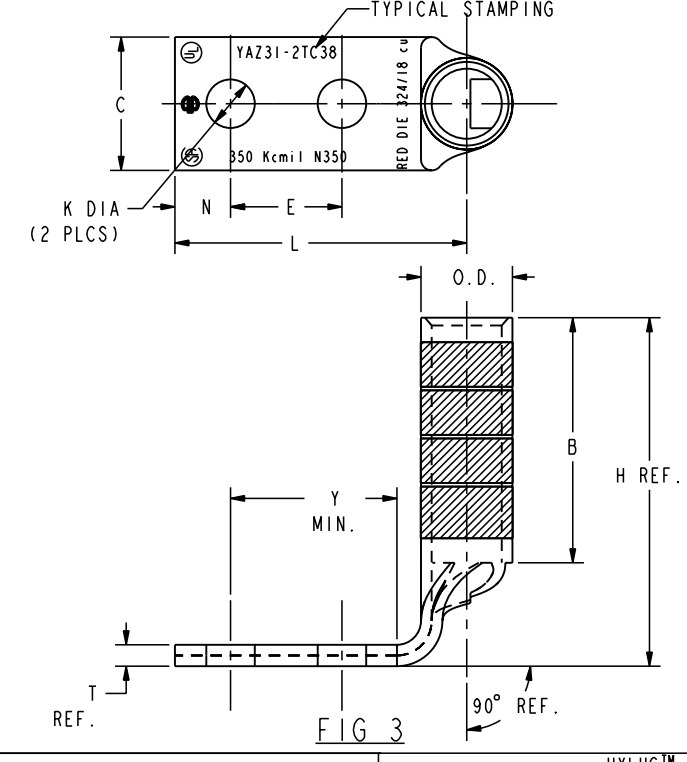
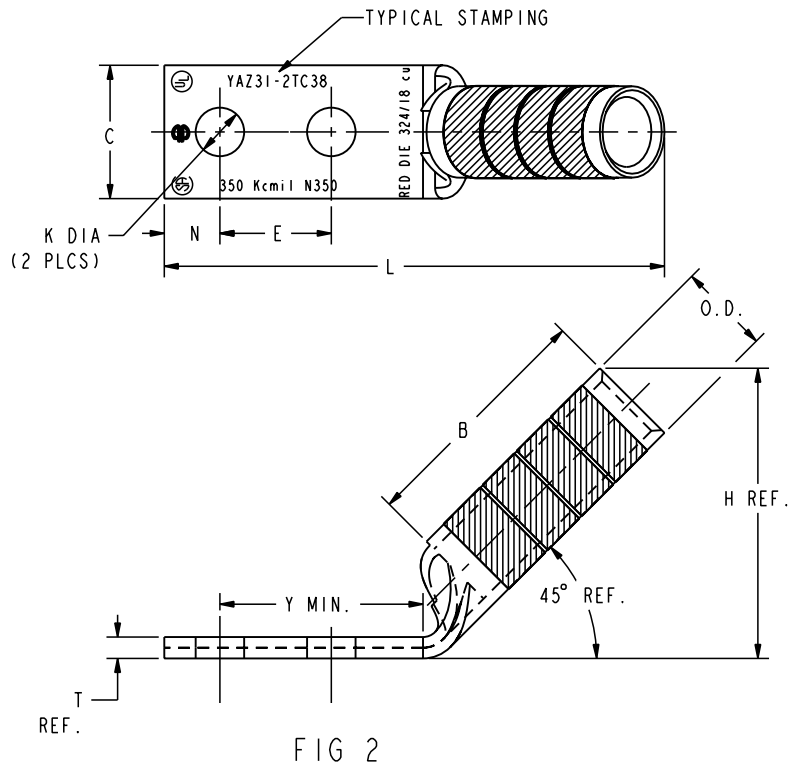
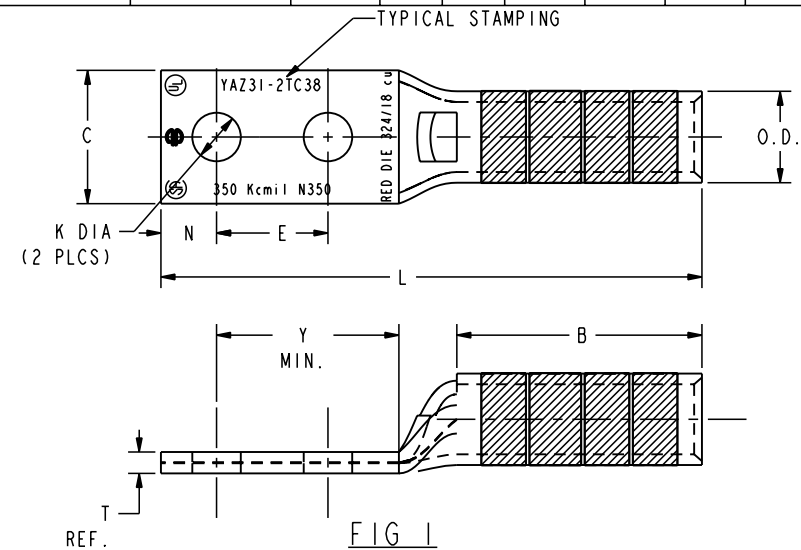


CATALOG NO.	CONDUCTOR		BOLT SIZE	FIG. NO.	DIMENSIONS										INSTALLATION TOOLING (# CRIMPS)									
	CODE (AWG)	NAVY			B	C	E	H	K DIA.	L	N	O.D.	T REF.	Y MIN.	DIE INDEX	COLOR CODE	MECHANICAL RATCHET		HYDRAULIC				DIELESS (# CRIMPS)	WIRE STRIP LENGTH
																	MD7-34R	Y34A	Y750	Y46	Y45	Y48B		
YAZ312TC14E2	350 Kcmil [-----]	350	2.00 [51]	1.29 [33]	.75 [19]	2.51 [64]	.27 [7]	4.02 [102]	.31 [8]	.88 [22]	.18 [5]	1.09 [28]	18 OR 324	RED	W31VT W31RT (4)	A31R A29AR (4)	U31RT U29ART (4)	U31RT U29ART (4)	U31RT U29ART (4)	C31R C29AR (1)	L31RT L29ART (1)	HYDRAULIC: Y644, Y644M Y644MBH, Y1000 Y1000BH (1)	2-1/16	
YAZ312TC14E245						2.92 [74]		3.66 [93]																
YAZ312TC14E290						2.92 [74]		1.97 [50]																
YAZ312NT38								4.45 [113]																
YAZ312NT3845						2.51 [64]	.40 [10]	4.10 [104]	.41 [10]															
YAZ312NT3890						2.92 [74]		2.41 [61]																
YAZ312TC38								4.45 [113]																
YAZ312TC3845						2.51 [64]	.40 [10]	4.10 [104]	.41 [10]															
YAZ312TC3890						2.92 [74]		2.41 [61]																
YAZ312TC3890G1						2.92 [74]		2.91 [74]																
YAZ312NTC								5.64 [143]																
YAZ312NTC45						2.51 [64]	.56 [14]	5.29 [134]	.62 [16]															
YAZ312NTC90	350 Kcmil [-----]	350	2.00 [51]	1.29 [33]	1.75 [44]	2.92 [74]		3.60 [91]		.88 [22]	.18 [5]	2.40 [61]	18 OR 324	RED	W31VT W31RT (4)	A31R A29AR (4)	U31RT U29ART (4)	U31RT U29ART (4)	C31R C29AR (1)	L31RT L29ART (1)		2-1/16		



- NOTES:
- MATERIAL: COPPER TUBING.
 - FINISH: TIN PLATED
 - CATALOG # PT6515 ADAPTOR IS REQUIRED TO USE "U" DIES IN Y45 SERIES TOOLS.
 - CATALOG # PUADP-1 ADAPTOR IS REQUIRED TO USE "U" DIES IN Y46 SERIES TOOLS.
 - NAVY CABLE SIZE MAY BE OMITTED ON SOME SIZES BECAUSE OF SPACE LIMITATIONS.
 - DIMENSIONS, METRIC WIRE, & METRIC BOLT SIZES IN BRACKETS [] ARE IN MILLIMETERS. DIMENSIONS ARE ROUNDED OFF TO THE NEAREST MILLIMETER, UNLESS OTHERWISE NOTED, AND ARE FOR REFERENCE ONLY.
 - FOR USE BY CUSTOMERS THAT HAVE THIS HYPRESS.™ NO NEW Y34A HYPRESS™ ARE BEING PROCESSED.

TO ORDER BURNDY® PRODUCTS CALL UNITED STATES 1-800-346-4175 (LONDONDERRY, NH) CANADA: 1-800-361-6975 (QUEBEC) 1-800-387-6487 (ALL OTHER PROVINCES) FOR PRODUCT INFO: http://www.burndy.com	HYLUG™	
	ITEM NO:	N/A
	CAT. NO:	YAZ31-2 (SEE TABLE)
	DRAWN BY:	D. BOISVERT 11/12/98
	CHECKER:	K. HENRY 12/03/98
	DSN APPVL:	B. MACDONALD 12/02/98
	MFG APPVL:	N/A
	QA APPVL:	S. GARY 11/30/98
	MKT APPVL:	B. HARDGROVE 11/25/98
	PROJ #:	---
SIZE:	D	
SCALE:	4:1	
DRAWING NO:	SE211915	
REV:	A	
SHEET:	31 OF 36	