

DRAWING NO. SE211937	7			6		5			4			3			2			1		
	CATALOG NUMBER	STRANDED COPPER CONDUCTOR ACCOMMODATED			BOLT SIZE	METRIC BOLT SIZE	DIMENSIONS													
CODE (AWG)		NAVY	METRIC SIZE (CLASS 2)	B			C	E	K DIA	L	N	O.D.	T REF.	Z MIN.						
YAZ1C2N	#1 AWG	75	---	1/2	M12	1.38 [35]	.83 [21]	1.75 [44]	.56 [14]	4.82 [122]	.62 [16]	.46 [12]	.12 [3]	.64 [16]						
YAZ252N	1/0 AWG	100	---	1/2	M12	1.38 [35]	.83 [21]	↑	↑	4.79 [122]	↑	.51 [13]	.11 [3]	↑						
YAZ262N	2/0 AWG	125	70mm ² STR [11]	1/2	M12	1.50 [38]	.83 [21]	↓	↓	4.95 [126]	↓	.56 [14]	.12 [3]	↓						
YAZ272N	3/0 AWG	150	---	1/2	M12	1.50 [38]	.91 [23]	1.75 [44]	.56 [14]	4.98 [126]	.62 [16]	.62 [16]	.12 [3]	.64 [16]						

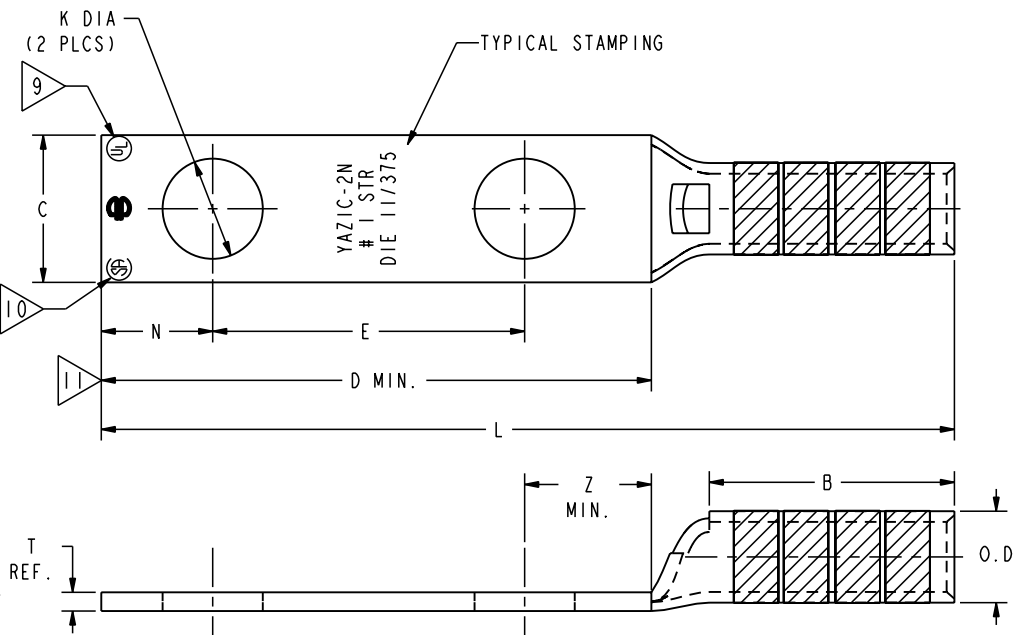
REV	DATE	DESCRIPTION	ECO	BY	C'H'K.
B	8/21/2008 12:00:00 AM	REDRAW IN PROE	16591	BT	BSK

CONNECTOR SIZE	TOLERANCES						
	B	C	E	K DIA.	L	N	O.D.
-6C THRU -25	±.06	+.04 -.02	±.02	±.02	±.09	±.03	±.01
-26 THRU -34	±.08	+.04 -.06	±.02	±.02	±.12	±.03	±.01
-35 AND UP	±.09	±.06	±.02	±.02	±.15	±.06	±.01

CATALOG NO.	COLOR CODE	DIE INFORMATION		MECHANICAL RACHET				HYDRULIC				DIELESS (# CRIMPS)	WIRE STRIP LENGTH	
		DIE INDEX	TYPE	Y2MR	OUR840	MD6 MD7	MD6--R2 BAT500	MD7-34R	Y34A Y34B Y34BH	Y35, Y39 Y750, BAT35 BAT750	Y46			Y45
YAZ1C2N	GREEN	11 375	GREEN DIE SET NEST INDENTOR	---	X1CRT-1 (2)	W1CRT-1(2) W1CVT(2)	W1CRT-1(2) W1CVT(2)	W1CRT-1(2) W1CVT(2)	---	U1CRT-1(2) U4CABT(2)	U1CRT-1(2) U4CABT(2)	U1CRT-1(2) U4CABT(2)	---	1-7/16"
YAZ252N	PINK	12 348	PINK DIE SET NEST INDENTOR	---	X25RT(4)	W25RT(4) W25VT(4)	W25RT(4) W25VT(4)	W25RT(4) W25VT(4)	A25R(2)	U25RT(2) U2CABT(2)	U25RT(2) U2CABT(2)	U25RT(2) U2CABT(2)	MECHANICAL: MY29-3(2) MY29-11(2)	1-7/16"
YAZ262N	BLACK	13	BLACK DIE SET NEST INDENTOR	---	X26RT(4)	W26RT(4) W26VT(4)	W26RT(4) W26VT(4)	W26RT(4) W26VT(4)	---	U26RT(2)	U26RT(2)	U26RT(2)	HYDRAULIC: Y644M(1) BAT644M(1)	1-9/16"
YAZ272N	ORANGE	14	ORANGE DIE SET NEST INDENTOR	---	X27RT(6)	W27RT(4) W27VT(4)	W27RT(4) W27VT(4)	W27RT(4) W27VT(4)	---	U27RT(2)	U27RT(2)	U27RT(2)	---	1-9/16"

TOLERANCE BLOCK

- NOTES:
- MATERIAL: COPPER TUBING.
 - FINISH: TIN PLATED.
 - CATALOG # PT6515 ADAPTOR IS REQUIRED TO USE "U" DIES IN Y45 SERIES TOOLS.
 - CATALOG # PUADP-1 ADAPTOR IS REQUIRED TO USE "U" DIES IN Y46 SERIES TOOLS.
 - Y35P3 INDENTOR ADAPTOR REQUIRED FOR Y34PR INDENTOR.
 - PERMANENT DIE IN TOOLING.
 - DIMENSIONS IN BRACKETS [] ARE IN MILLIMETERS ROUNDED OFF TO THE NEAREST MILLIMETER, UNLESS OTHERWISE NOTED, AND ARE FOR REFERENCE ONLY.
 - FOR USE BY CUSTOMERS THAT HAVE THIS HYPRESS™. NO NEW Y34A HYPRESS™ TOOLS ARE BEING PROCESSED. Y34A USES A--D TYPE NEST DIES.
 - CONNECTORS ARE UL LISTED; UNDRILLED VERSIONS ARE NOT UL LISTED.
 - CONNECTORS ARE CSA CERTIFIED; UNDRILLED VERSIONS ARE NOT CSA CERTIFIED.
 - FOR UNDRILLED VERSIONS ADD SUFFIX "-U" TO END OF CATALOG NUMBER. FOR UNDRILLED VERSIONS, USE D MIN. = N MAX. + E MAX. + Z MIN.
 - "X", "W-RT", "W-VT", "U", & "L" DIE SETS ARE COLOR CODED. "A", "B", AND "C" DIES ARE NOT COLOR CODED. NESTS AND INDENTOR TYPE ARE NOT COLOR CODED.



TO ORDER BURNDY® PRODUCTS CALL		HYLUG™	
UNITED STATES 1-800-346-4175 (LONDONDERRY, NH)		ITEM NO: N/A	CAT. NO: YAZ--2N(SEE TABLE)
CANADA: 1-800-361-6975 (QUEBEC) 1-800-387-6487 (ALL OTHER PROVINCES)		DRAWN BY: D BOISVERT 1/19/99	CHECKER: J MICHAUD 2/06/99
FOR PRODUCT INFO: http://www.burndy.com		DSN APPVL: B MACDONALD 2/06/99	MFG APPVL: N/A
		QA APPVL: S GRAY 2/09/99	MKT APPVL: K.WOO 2/06/99
		PROJ #:	SCALE: 1:1
		SIZE: D	DRAWING NO: SE211937
		DOCUMENT TYPE: Sales	REV: B
		REL LEVEL: Released	SHEET 2 OF 8

REV: PE0200