

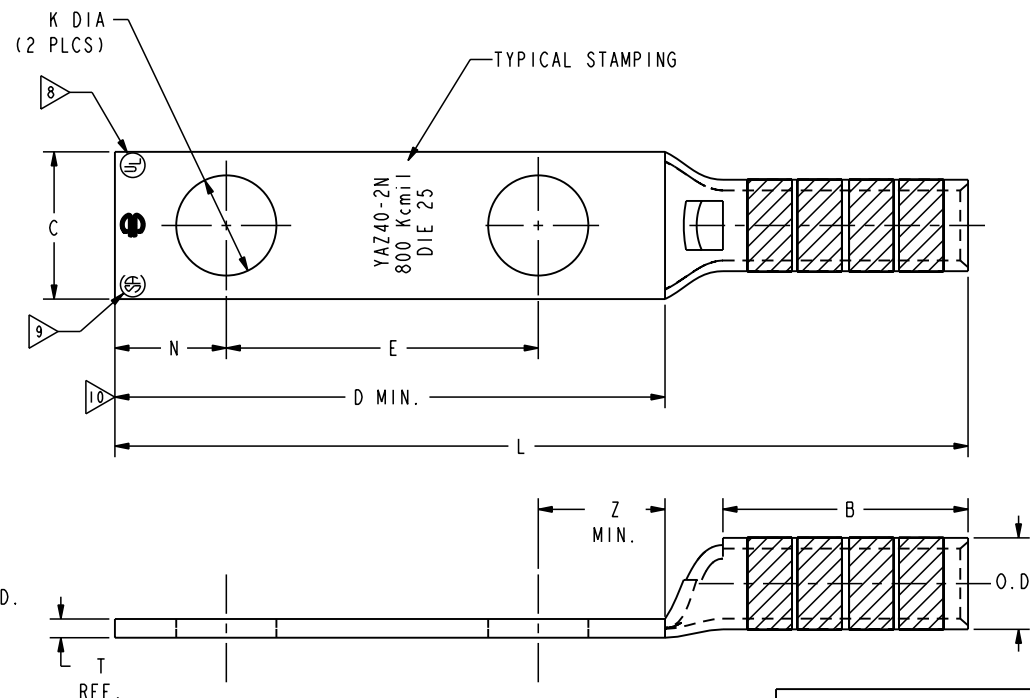
DRAWING NO. SE211937	7			6		5		4		3		2		1	
	CATALOG NUMBER	STRANDED COPPER CONDUCTOR ACCOMMODATED			BOLT SIZE	METRIC BOLT SIZE	DIMENSIONS								
		CODE (AWG)	NAVY	METRIC SIZE (CLASS 2)			B	C	E	K DIA	L	N	O.D.	T REF.	Z MIN.
YAZ402N	800 Kcmil	---	400mm ² STR [26.1]	1/2	M12	2.94 [75]	1.98 [50]	1.75 [44]	.56 [14]	6.89 [175]	.62 [16]	1.35 [34]	.30 [8]	.64 [16]	
YAZ412N	850 Kcmil	---	---	1/2	M12	2.94 [75]	2.01 [51]	↑	↑	6.91 [176]	↑	1.38 [35]	.31 [8]	↑	
YAZ442N	1000 Kcmil	---	---	1/2	M12	3.00 [76]	2.19 [56]	1.75 [44]	.56 [14]	7.08 [180]	.62 [16]	1.50 [38]	.33 [8]	.64 [16]	

REV	DATE	DESCRIPTION	ECO	BY	C'H'K.
A	8/21/2008 12:00:00 AM	REDRAW IN PROOF	16591	BT	BSK

CONNECTOR SIZE	TOLERANCES						
	B	C	E	K DIA.	L	N	O.D.
-6C THRU -25	±.06	+.04 -.02	±.02	±.02	±.09	±.03	±.01
-26 THRU -34	±.08	+.04 -.06	±.02	±.02	±.12	±.03	±.01
-35 AND UP	±.09	±.06	±.02	±.02	±.15	±.06	±.01

TOLERANCE BLOCK

INSTALLATION TOOLING (# CRIMPS)																
CATALOG NO.	COLOR CODE	DIE INFORMATION		MECHANICAL RACHET					HYDRAULIC					DIELESS (# CRIMPS)	WIRE STRIP LENGTH	
		DIE INDEX	TYPE	Y2MR	OUR840	MD6 MD7	MD6--R2 BAT500	MD7-34R	Y34A Y34B Y34BH	Y35, Y39 Y750, BAT35 BAT750	Y46	Y45	Y48B			Y60BHU
YAZ402N	ORANGE	25	ORANGE DIE SET	---	---	---	---	---	---	---	P40RT(4)	S40RT(4)	C40R(2)	L40RT(2)	HYDRAULIC: Y644M(1) BAT644M(1)	3"
			NEST	---	---	---	---	---	---	---	P40D(2)	---	C40D(2)	---		
			INDENTOR	---	---	---	---	---	---	---	P44PR	---	Y48PR	---		
YAZ412N	GOLD	26	GOLD DIE SET	---	---	---	---	---	---	---	---	---	---	---	HYDRAULIC: Y644M(1) BAT644M(1)	3"
			NEST	---	---	---	---	---	---	---	---	---	---	---		
			INDENTOR	---	---	---	---	---	---	---	---	---	---	---		
YAZ442N	WHITE	27	WHITE DIE SET	---	---	---	---	---	---	---	P44RT(4)	S44RT(4)	C44R(2)	L44RT(2)	HYDRAULIC: Y644M(1) BAT644M(1)	3-1/16"
			NEST	---	---	---	---	---	---	---	---	---	---	---		
			INDENTOR	---	---	---	---	---	---	---	---	---	---	---		



NOTES:

- MATERIAL: COPPER TUBING.
- FINISH: TIN PLATED.
- CATALOG # PT6515 ADAPTOR IS REQUIRED TO USE "U" DIES IN Y45 SERIES TOOLS.
- CATALOG # PUADP-1 ADAPTOR IS REQUIRED TO USE "U" DIES IN Y46 SERIES TOOLS.
- PERMANENT DIE IN TOOLING.
- DIMENSIONS IN BRACKETS [] ARE IN MILLIMETERS ROUNDED OFF TO THE NEAREST MILLIMETER, UNLESS OTHERWISE NOTED, AND ARE FOR REFERENCE ONLY.
- FOR USE BY CUSTOMERS THAT HAVE THIS HYPRESS™. NO NEW Y34A HYPRESS™ TOOLS ARE BEING PROCESSED. Y34A USES A--D TYPE NEST DIES.
- CONNECTORS ARE UL LISTED; UNDRILLED VERSIONS ARE NOT UL LISTED.
- CONNECTORS ARE CSA CERTIFIED; UNDRILLED VERSIONS ARE NOT CSA CERTIFIED.
- FOR UNDRILLED VERSIONS ADD SUFFIX "-U" TO END OF CATALOG NUMBER. FOR UNDRILLED VERSIONS, USE D MIN. = N MAX. + E MAX. + Z MIN.
- "X", "W-RT", "W-VT", "U", & "L" DIE SETS ARE COLOR CODED. "A", "B", AND "C" DIES ARE NOT COLOR CODED. NESTS AND INDENTOR TYPE ARE NOT COLOR CODED.

REFERENCE: SE211938

<p>TO ORDER BURNDY® PRODUCTS CALL</p> <p>UNITED STATES 1-800-346-4175 (LONDONDERRY, NH)</p> <p>CANADA: 1-800-361-6975 (QUEBEC) 1-800-387-6487 (ALL OTHER PROVINCES)</p> <p>FOR PRODUCT INFO: http://www.burndy.com</p>	HYLUG™	
	ITEM NO:	N/A
	CAT. NO:	YAZ--2N(SEE TABLE)
	DRAWN BY:	D BOISVERT 01/19/99
	CHECKER:	J MICHAUD 2/08/99
	DSN APPVL:	B MACDONALD 2/08/99
	MFG APPVL:	N/A
	QA APPVL:	S GRAY 2/09/99
	MKT APPVL:	K.WOO 2/08/99
	PROJ #:	---
SIZE:	D	
DOCUMENT TYPE:	Sales	
REL LEVEL:	Released	
DRAWING NO:	SE211937	
REV:	A	
SHEET:	6 OF 8	

REV: PE0200