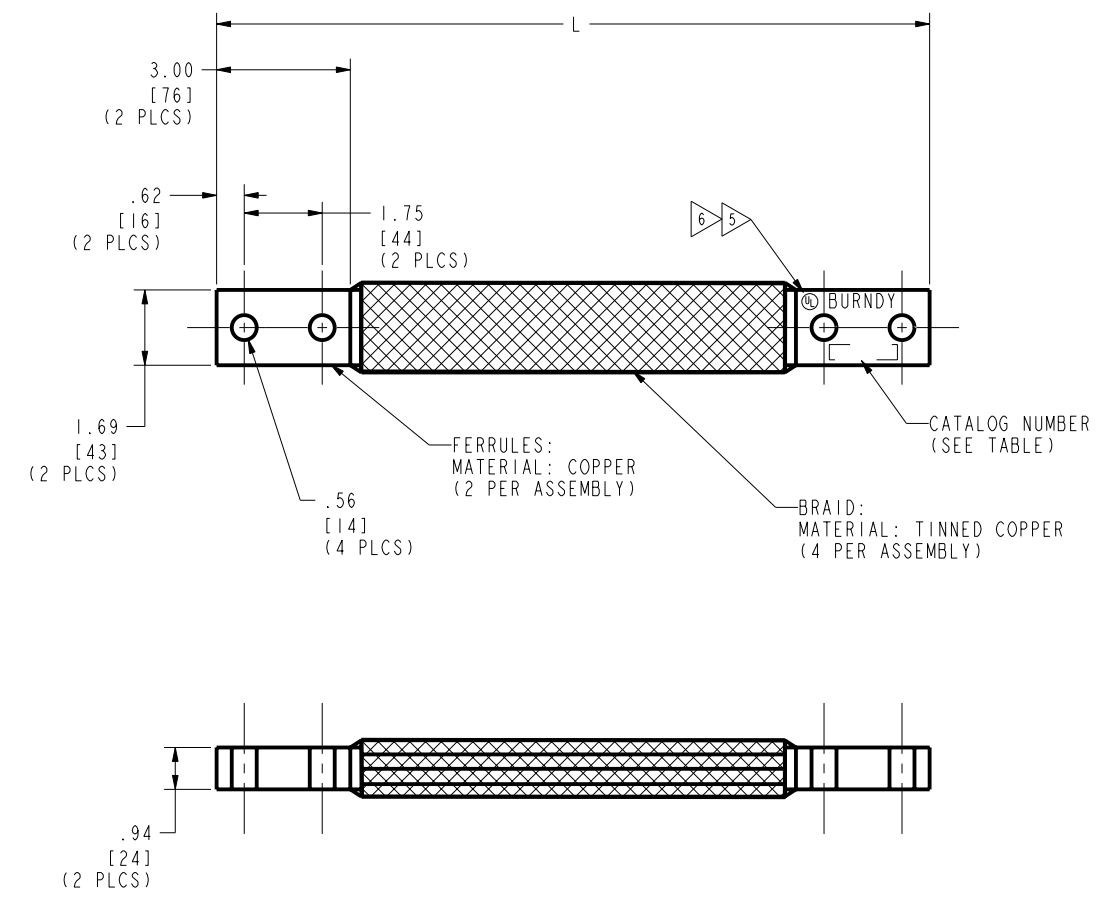


DRAWING NO. SE211997-01		
CATALOG NO.	ITEM NO.	L
B4G9D50N	33208X	9.50 [241]
B4G10N	10046370	10.00 [254]
B4G12N	33262M	12.00 [305]
B4G13N	10046371	13.00 [330]
B4G13D50	10046372	13.50 [343]
B4G14N	25021843	14.00 [356]
B4G16N	332249	16.00 [406]
B4G17N	10046373	17.00 [432]
B4G17D50N	10046374	17.50 [445]
B4G18N	33287N	18.00 [457]
B4G20N	332381	20.00 [508]
B4G22N	10062754	22.00 [559]
B4G22D50N	10046375	22.50 [572]
B4G24N	33293W	24.00 [610]
B4G26N	10046376	26.00 [660]
B4G29D75N	10046377	29.75 [756]
B4G30N	33214X	30.00 [762]
B4G32N	30006131	32.00 [813]
B4G36N	33205D	36.00 [914]
B4G36D50N	10046378	36.50 [927]
B4G40N	10027231	40.00 [1016]
B4G47D3N	10079822	47.30 [1201]
B4G48N	10075033	48.00 [1219]
B4G58N	332847	58.00 [1473]
B4G60N	10045320	60.00 [1524]
B4G74N	10046379	74.00 [1880]
B4G75N	25017747	75.00 [1905]
B4G80D30N	10075566	80.30 [2040]
B4G96N	10045321	96.00 [2438]

REV	DATE	DESCRIPTION	ECO	BY	C'H'K.
H	3/22/2011 12:00:00 AM	ITEM 3004131 WAS DELETED		JG	NJS



NOTES:

- 1 FINISH: ADD CATALOG NUMBER FOLLOWED BY "TN" TO INDICATE TIN PLATED FERRULES. ADD CATALOG NUMBER FOLLOWED BY "W" TO INDICATE HOT TIN DIPPED FERRULES. ADD CATALOG NUMBER FOLLOWED BY "SV" TO INDICATE SILVER PLATED FERRULES.
2. APPROXIMATE AMP RATING: 1200 INDOOR, 1440 OUTDOOR. THIS RATING MAY VARY WITH AMBIENT CONDITIONS, ORIENTATION OF THE BRAID, AND OTHER SERVICE CONDITIONS.
3. DIMENSIONS IN BRACKETS [] ARE IN MILLIMETERS ROUNDED OFF TO THE NEAREST MILLIMETER, UNLESS OTHERWISE NOTED, AND ARE FOR REFERENCE ONLY.
- 4 ADD SUFFIX LETTER "U" AFTER "N" FOR UNDRILLED VERSIONS. EXAMPLES: B4G10NU OR B4G10NUTN
- 5 ALL SIZES ARE LISTED TO UL 467 GROUNDING & BONDING EQUIPMENT STANDARDS.
- 6 BRAID SIZES MAY BE DESIGNATED BY SUFFIXES REPRESENTING VARIATIONS IN LENGTH, QUANTITY & SIZE OF MOUNTING HOLES, PAD SIZE AND FINISH. (REF. NOTE 5)
- 7 CATALOG NUMBER SHOWN AS A ONE PLACE DECIMAL (B4G47D3N & NOT B4G47D30N). PLATED VERSIONS WILL APPEAR THE SAME WAY.

TO ORDER BURNDY® PRODUCTS CALL UNITED STATES 1-800-346-4175 (LONDONDERRY, NH) CANADA: 1-800-361-6975 (QUEBEC) 1-800-387-6487 (ALL OTHER PROVINCES) FOR PRODUCT INFO: http://www.burndy.com		BRAID - FLEXIBLE	
		ITEM NO: SEE TABLE	SCALE: 1:2
CAT. NO: B4G--N (TABLE)		DRAWING NO: SE211997-01	
DRAWN BY: R.L. BOISVERT 04/25/03		REV: H	
CHECKER: K. HENRY 04/25/03		PROJECT #: --	
DSN APPVL: J. MICHAUD 04/22/03		SIZE: D	
MFG APPVL: N/A --		DOCUMENT TYPE: Sales	
QA APPVL: J. BRODEUR 04/22/03		REL LEVEL: Released	
MKT APPVL: KEN WOO 04/22/03		SHEET 1 OF 1	

REV: PE0200