

REV	DATE	DESCRIPTION	ECO	BY	C'H'K.
B	1/11/2001 12:00:00 AM	REDRAW AND CATALOG NUMBER UPDATON OF SALES DRAWINGS	17057	BSB	BSK

CATALOG NO.	CONDUCTOR		BOLT SIZE	FIG. NO.	DIMENSIONS										INSTALLATION TOOLING (# CRIMPS)																
	FLEX	CODE (AWG)			B	C	E	H	K DIA.	L	N	O.D.	T REF.	Y MIN.	DIE INDEX	COLOR CODE	MECHANICAL				HYDRAULIC			DIELESS (# CRIMPS)	WIRE STRIP LENGTH						
																	MD7-34R	OUR840	Y2MR	BCT500 Y500CT	Y750 Y35, BAT35 Y39, BAT750	Y46	Y45								
YAZV6C2TC14FX	#6 WELD 61/24	#6 AWG	1/4 [M6]	1	.75	.48	.62	---	.27	2.22	.31	.08	.96	7 OR 374	BLUE	7	7	BLUE (2)	7	7	7	7	7	MECHANICAL: MY29-11 (1) HYDRAULIC: Y644, Y644M Y644MBH, 1 CRIMP	1-3/16						
YAZV6C2TC14FX45					2			[19]		[12]																[16]	.94	[24]	[56]	[8]	[24]
YAZV6C2TC14FX90					3			[19]		[12]																[16]	1.00	[25]	[39]	[8]	[24]
YAZV6C2TC14E2FX	#6 WELD 61/24	#6 AWG	1/4 [M6]	1	.75	.48	.75	---	.27	2.35	.31	.08	1.09	7 OR 374	BLUE	7	7	BLUE (2)	7	7	7	7	MECHANICAL: MY29-11 (1) HYDRAULIC: Y644, Y644M Y644MBH, 1 CRIMP	1-3/16							
YAZV6C2TC14E2FX45								2		[19]															[12]	[19]	.94	[24]	[60]	[28]	
YAZV6C2TC14E2FX90								3		[19]															[12]	[19]	1.00	[25]	[42]	[8]	[28]

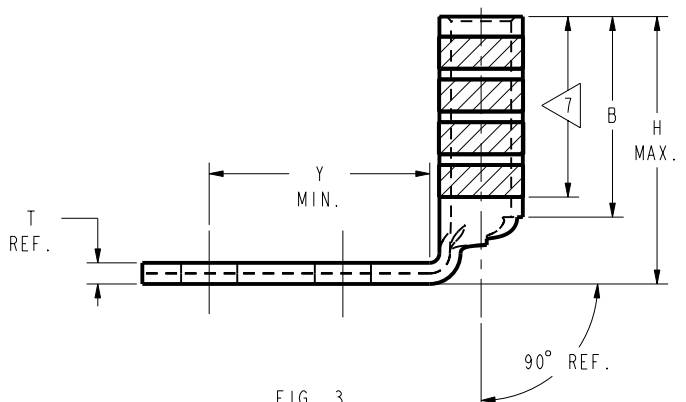
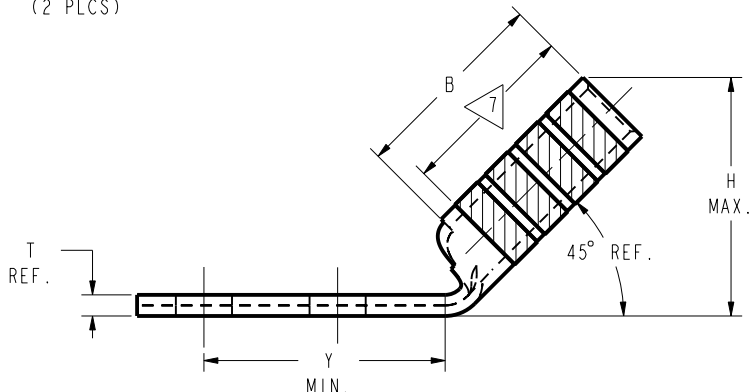
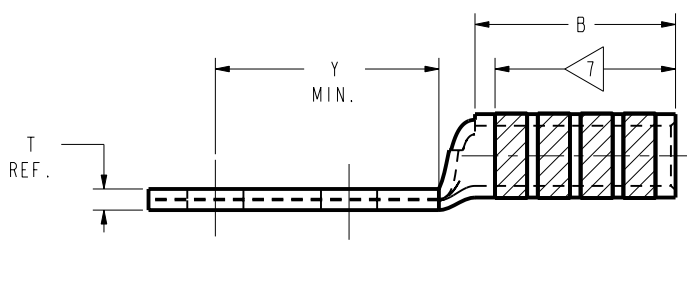
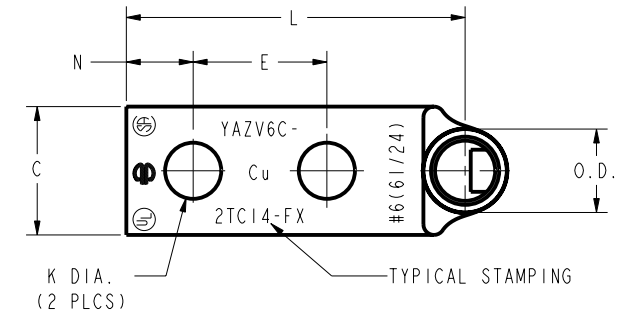
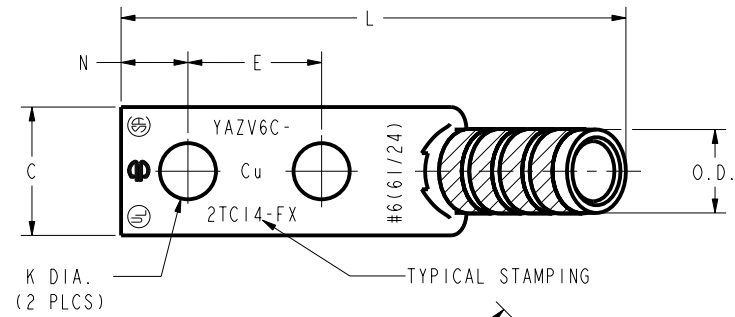
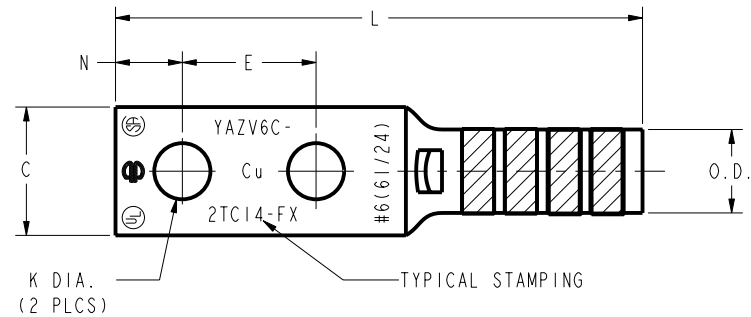


FIG. 1

FIG. 2

FIG. 3

NOTES:

- MATERIAL: COPPER TUBING.
- FINISH: TIN PLATED.
- CATALOG # PT6515 ADAPTOR IS REQUIRED TO USE "U" DIES IN Y45 SERIES TOOLS.
- CATALOG # PUADP-1 ADAPTOR IS REQUIRED TO USE "U" DIES IN Y46 SERIES TOOLS.
- PERMANENT DIE IN TOOLING.
- DIMENSIONS IN BRACKETS [] ARE IN MILLIMETERS ROUNDED OFF TO THE NEAREST MILLIMETER, UNLESS OTHERWISE NOTED, AND ARE FOR REFERENCE ONLY.
- OVERLAP 2 CRIMPS AS NEEDED WITHIN THE LENGTH BETWEEN THE INK STAMPED CRIMPING AREA.

TO ORDER BURNDY® PRODUCTS CALL		HYLUG™ (TWO HOLE FLEX)	
UNITED STATES 1-800-346-4175 (LONDONDERRY, NH)		ITEM NO: N/A	CAT. NO: YAZV6C- (TABLE)
CANADA: 1-800-361-6975 (QUEBEC) 1-800-387-6487 (ALL OTHER PROVINCES)		DRAWN BY: D BOISVERT 8/19/99	CHECKER: K HENRY 8/26/99
FOR PRODUCT INFO: http://www.fciconnect.com		DSN APPVL: RR TEAM 9/28/99	MFG APPVL: --
		QA APPVL: J BRODEUR 10/6/99	MKT APPVL: R ROBICHEAU 10/5/99
		PROJ #:	SCALE: NTS
		SIZE: D	DRAWING NO: SE212273
		DOCUMENT TYPE: Sales	REV: B
		REL LEVEL: Released	SHEET 3 OF 48

REV: PE0200