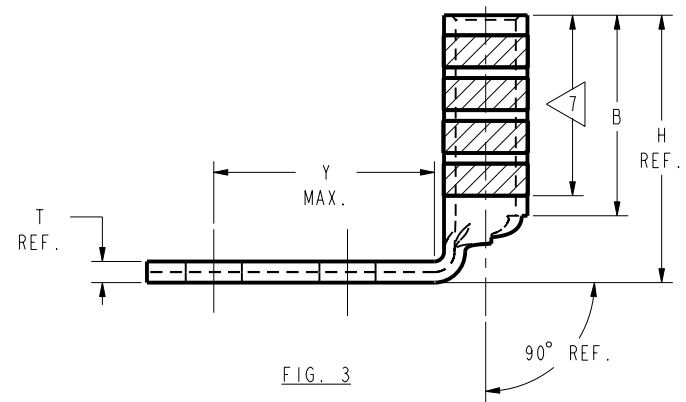
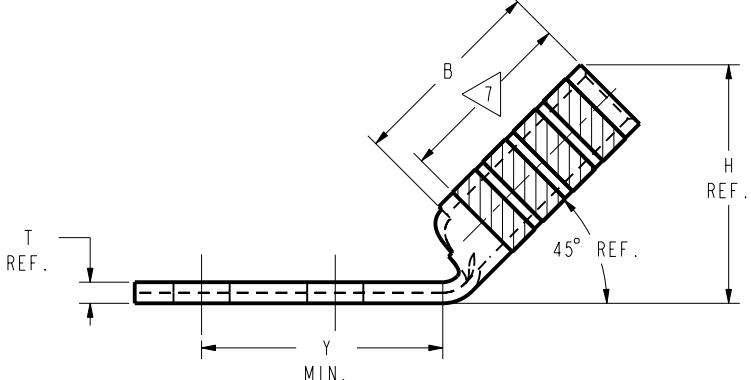
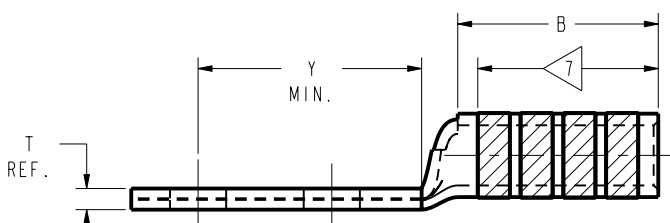
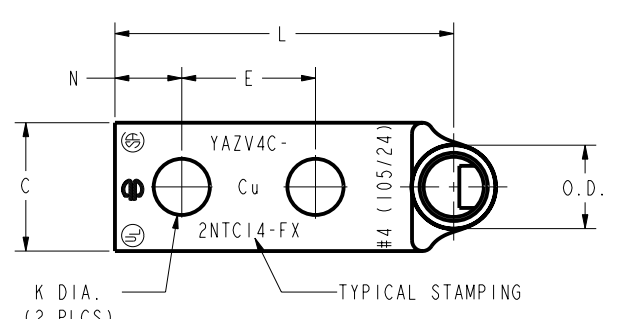
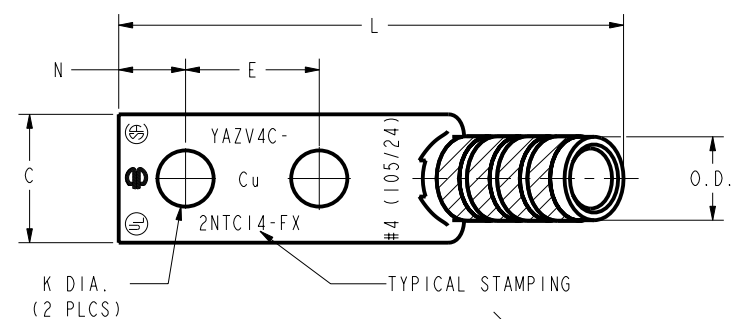
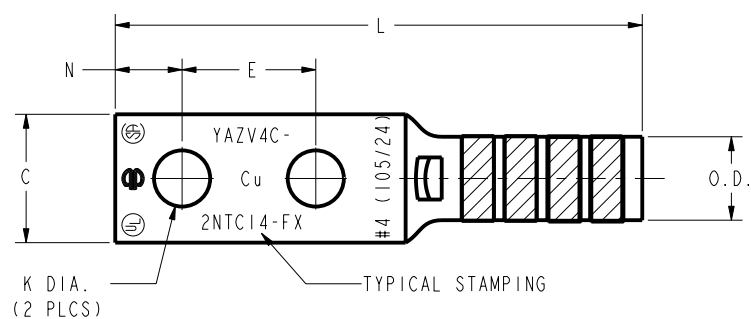


REV	DATE	DESCRIPTION	ECO	BY	C'H'K.
B	1/11/2001 12:00:00 AM	REDRAW AND CATALOG NUMBER UPDATON OF SALES DRAWINGS	17057	BSB	BSK

CATALOG NO.	CONDUCTOR		BOLT SIZE	FIG. NO.	DIMENSIONS										INSTALLATION TOOLING (# CRIMPS)										
	FLEX	CODE (AWG)			B	C	E	H	K DIA.	L	N	O.D.	T REF.	Y MIN.	DIE INDEX	COLOR CODE	MECHANICAL			HYDRAULIC				DIELESS (# CRIMPS)	WIRE STRIP LENGTH
			±.06	+ .04 -.02	±.02	REF.	±.02	±.09	±.03	±.01					MD7-34R	OUR840	YRMR 5	BCT500 Y500CT	Y750 Y35, BAT35 Y39, BAT750	Y46 4	Y45 3				
YAZV4C2TC14FX	#4 WELD 91/24 105/24	#4 AWG		1	1.25 [32]		---				.38 [10]				8 OR 346	GRAY									
YAZV4C2TC14FX45			1/4 [M6]	2		.55 [14]	.63 [16]	1.37 [35]	.27 [7]	2.59 [66]	.31 [8]		.09 [2]	.96 [24]											
YAZV4C2TC14FX90				3				1.69 [43]		1.55 [39]															
YAZV4C2TC14E2FX				1			---			2.95 [75]															
YAZV4C2TC14E2FX45			1/4 [M6]	2		.55 [14]	.75 [19]	1.37 [35]	.27 [7]	2.72 [69]	.31 [8]		.09 [2]	1.09 [28]											
YAZV4C2TC14E2FX90	#4 WELD 91/24 105/24	#4 AWG		3	1.25 [32]			1.69 [43]		1.68 [43]					8 OR 346	GRAY									



NOTES:

- MATERIAL: COPPER TUBING.
- FINISH: TIN PLATED.
- CATALOG # PT6515 ADAPTOR IS REQUIRED TO USE "U" DIES IN Y45 SERIES TOOLS.
- CATALOG # PUADP-1 ADAPTOR IS REQUIRED TO USE "U" DIES IN Y46 SERIES TOOLS.
- PERMANENT DIE IN TOOLING.
- DIMENSIONS IN BRACKETS [] ARE IN MILLIMETERS ROUNDED OFF TO THE NEAREST MILLIMETER, UNLESS OTHERWISE NOTED, AND ARE FOR REFERENCE ONLY.
- CRIMP (# OF CRIMPS PER TABLE) WITHIN THE LENGTH BETWEEN THE INK STAMPED CRIMPING AREA.

TO ORDER BURNDY® PRODUCTS CALL		HYLUG™ (TWO HOLE FLEX)	
UNITED STATES 1-800-346-4175 (LONDONDERRY, NH)		ITEM NO: N/A	CAT. NO: YAZV4C- (TABLE)
CANADA: 1-800-361-6975 (QUEBEC) 1-800-387-6487 (ALL OTHER PROVINCES)		DRAWN BY: D BOISVERT 8/19/99	CHECKER: K HENRY 8/26/99
FOR PRODUCT INFO: http://www.fciconnect.com		DSN APPVL: RR TEAM 9/28/99	MFG APPVL: --
		QA APPVL: J BRODEUR 10/6/99	MKT APPVL: R ROBICHEAU 10/5/99
		PROJ #: --	SCALE: NTS
		SIZE: D	DRAWING NO: SE212273
		DOCUMENT TYPE: Sales	REV: B
		REL LEVEL: Released	SHEET 8 OF 48

REV: PE0200