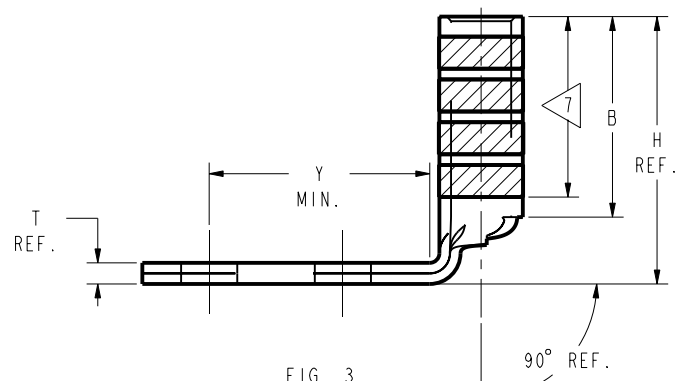
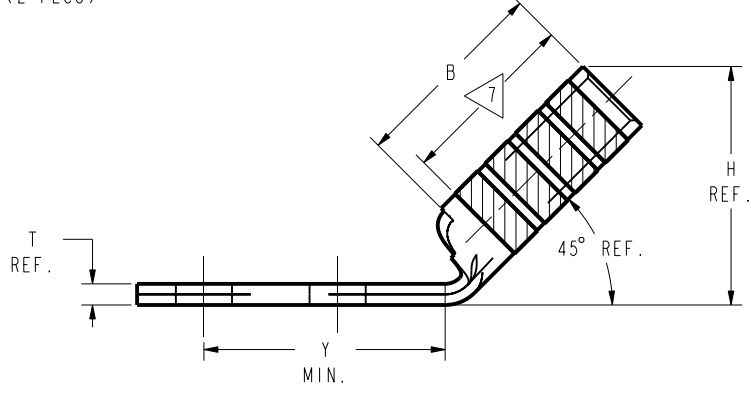
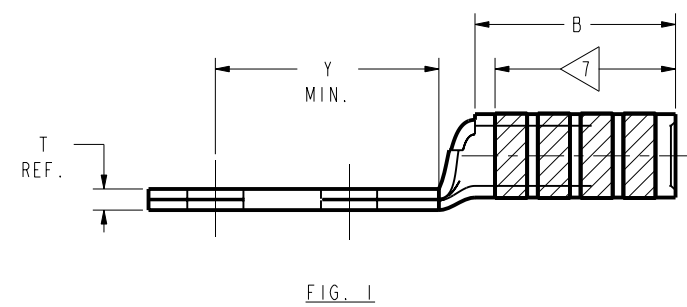
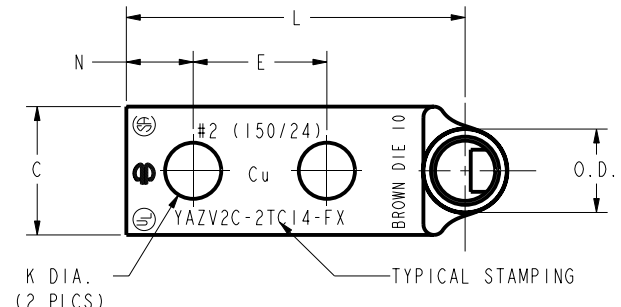
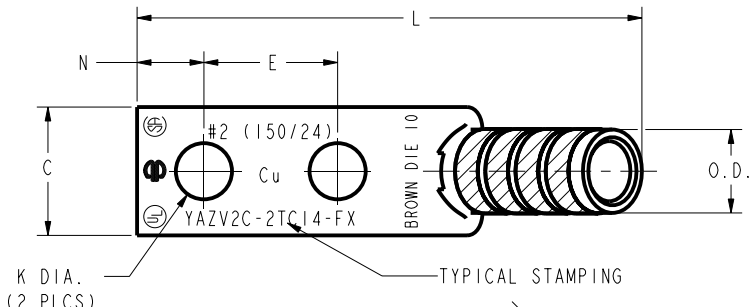
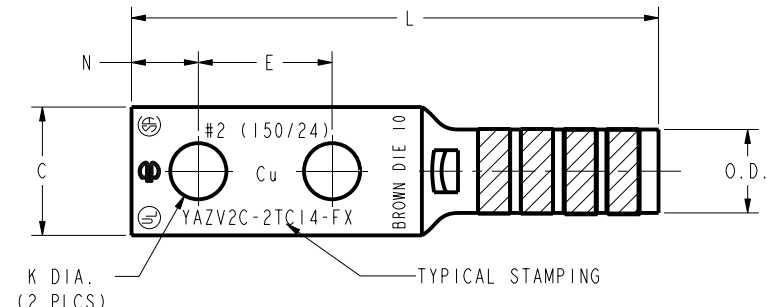


REV	DATE	DESCRIPTION	ECO	BY	C'H'K.
B	1/11/2001 12:00:00 AM	REDRAW AND CATALOG NUMBER UPDATON OF SALES DRAWINGS	17057	BSB	BSK

CATALOG NO.	CONDUCTOR		BOLT SIZE	FIG. NO.	DIMENSIONS										INSTALLATION TOOLING (# CRIMPS)																						
	FLEX	CODE (AWG)			B	C	E	H	K DIA.	L	N	O.D.	T REF.	Y MIN.	DIE INDEX	COLOR CODE	MECHANICAL				HYDRAULIC			DIELESS (# CRIMPS)	WIRE STRIP LENGTH												
																	MD7-34R	OUR840	Y2MR	BCT500 Y500CT	Y750 Y35, BAT35 Y39, BAT750	Y46	Y45														
YAZV2C2TC14FX	#2 WELD 125/24 150/24	#2 AWG	1/4 [M6]	1	1.38 [35]	.68 [17]	.62 [16]	---	.27 [7]	3.01 [76]	.31 [8]	.46 [12]	.10 [3]	.96 [24]	10	BROWN	7	7	BROWN (4)	7	7	7	MECHANICAL: MY29-11 (1) HYDRAULIC: Y644, Y644M Y644MBH, (1)	1-7/16													
YAZV2C2TC14FX45				2	1.57 [40]			1.60 [41]		1.60 [41]					1.60 [41]	1.60 [41]	1.60 [41]	1.60 [41]	1.60 [41]	1.60 [41]	1.60 [41]	1.60 [41]			1.60 [41]	1.60 [41]	1.60 [41]	1.60 [41]	1.60 [41]	1.60 [41]	1.60 [41]	1.60 [41]	1.60 [41]	1.60 [41]			
YAZV2C2TC14FX90				3	1.90 [48]			1.90 [48]		1.90 [48]					1.90 [48]	1.90 [48]	1.90 [48]	1.90 [48]	1.90 [48]	1.90 [48]	1.90 [48]	1.90 [48]			1.90 [48]	1.90 [48]	1.90 [48]	1.90 [48]	1.90 [48]	1.90 [48]	1.90 [48]	1.90 [48]	1.90 [48]	1.90 [48]	1.90 [48]		
YAZV2C2TC14E2FX	#2 WELD 125/24 150/24	#2 AWG	1/4 [M6]	1	1.38 [35]	.68 [17]	.75 [19]	---	.27 [7]	3.13 [80]	.31 [8]	.46 [12]	.10 [3]	1.09 [28]	10	BROWN	7	7	BROWN (4)	7	7	7			MECHANICAL: MY29-11 (1) HYDRAULIC: Y644, Y644M Y644MBH, (1)	1-7/16											
YAZV2C2TC14E2FX45				2				1.57 [40]		1.60 [41]					1.60 [41]	1.60 [41]	1.60 [41]	1.60 [41]	1.60 [41]	1.60 [41]	1.60 [41]	1.60 [41]					1.60 [41]	1.60 [41]	1.60 [41]	1.60 [41]	1.60 [41]	1.60 [41]	1.60 [41]	1.60 [41]	1.60 [41]	1.60 [41]	1.60 [41]
YAZV2C2TC14E2FX90				3				1.90 [48]		1.90 [48]					1.90 [48]	1.90 [48]	1.90 [48]	1.90 [48]	1.90 [48]	1.90 [48]	1.90 [48]	1.90 [48]					1.90 [48]	1.90 [48]	1.90 [48]	1.90 [48]	1.90 [48]	1.90 [48]	1.90 [48]	1.90 [48]	1.90 [48]	1.90 [48]	1.90 [48]



- NOTES:
- MATERIAL: COPPER TUBING.
 - FINISH: TIN PLATED.
 - CATALOG # PT6515 ADAPTOR IS REQUIRED TO USE "U" DIES IN Y45 SERIES TOOLS.
 - CATALOG # PUADP-1 ADAPTOR IS REQUIRED TO USE "U" DIES IN Y46 SERIES TOOLS.
 - PERMANENT DIE IN TOOLING.
 - DIMENSIONS IN BRACKETS [] ARE IN MILLIMETERS ROUNDED OFF TO THE NEAREST MILLIMETER, UNLESS OTHERWISE NOTED, AND ARE FOR REFERENCE ONLY.
 - CRIMP (# OF CRIMPS PER TABLE) WITHIN THE LENGTH BETWEEN THE INK STAMPED CRIMPING AREA.

TO ORDER BURNDY® PRODUCTS CALL		HYLUG™ (TWO HOLE FLEX)	
UNITED STATES 1-800-346-4175 (LONDONDERRY, NH)		ITEM NO: N/A	CAT. NO: YAZV2C- (TABLE)
CANADA: 1-800-361-6975 (QUEBEC) 1-800-387-6487 (ALL OTHER PROVINCES)		DRAWN BY: D BOISVERT 8/19/99	CHECKER: K HENRY 8/26/00
FOR PRODUCT INFO: http://www.burndy.com		DSN APPVL: RR TEAM 9/28/00	MFG APPVL: -- --
		QA APPVL: J BRODEUR 10/6/99	MKT APPVL: R ROBICHEAU 10/5/99
		PROJ #:	SCALE: NTS
		SIZE: D	DRAWING NO: SE212273
		REL LEVEL: Released	REV: B
			SHEET 12 OF 48

REV: PE0200