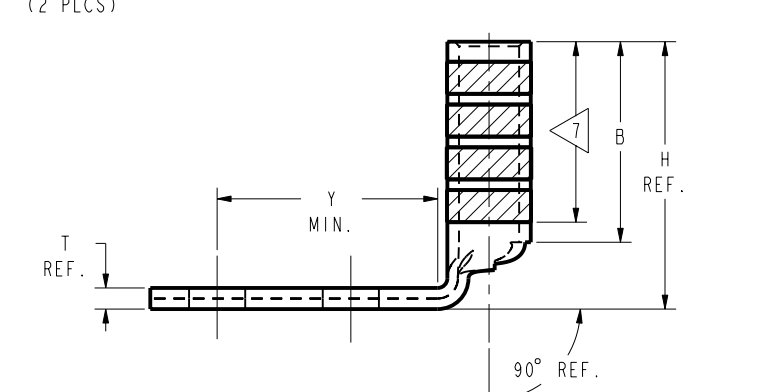
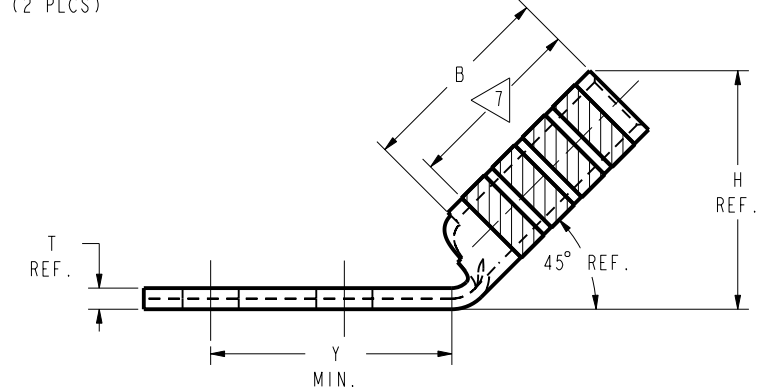
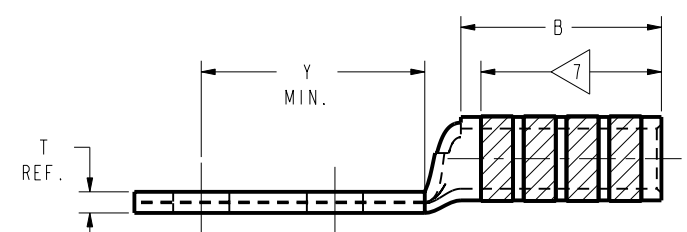
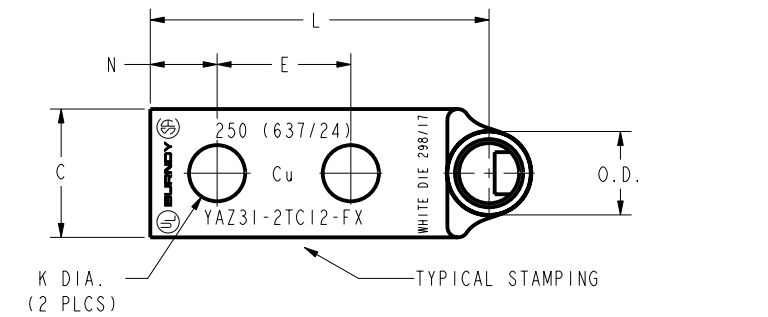
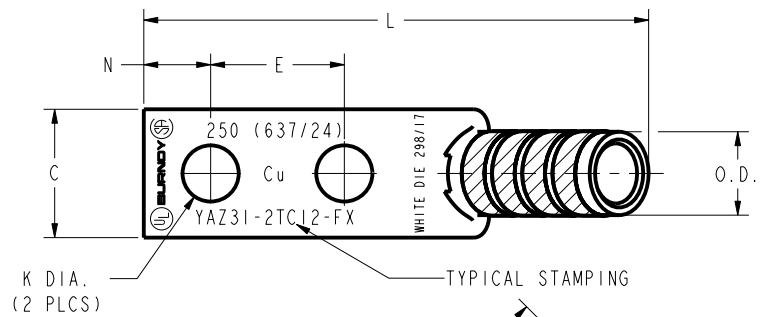
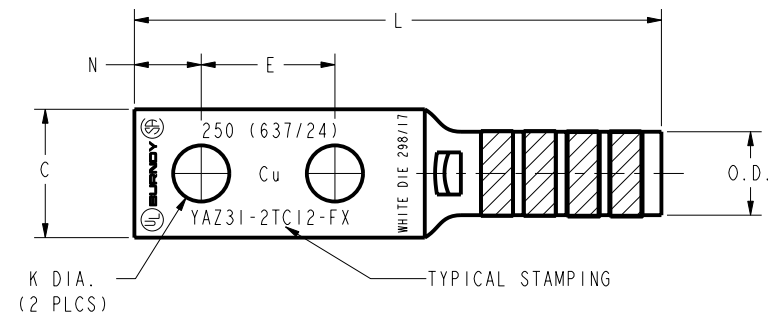


REV	DATE	DESCRIPTION	ECO	BY	C'H'K.
C	1/11/2001 12:00:00 AM	REDRAW AND CATALOG NUMBER UPDATON OF SALES DRAWINGS	17057	BSB	BSK

CATALOG NO.	CONDUCTOR		BOLT SIZE	FIG. NO.	DIMENSIONS										INSTALLATION TOOLING (# CRIMPS)								
	FLEX	CODE (AWG)			B	C	E	H REF.	K DIA.	L	N	O.D.	T REF.	Y MIN.	DIE INDEX	COLOR CODE	MECHANICAL		HYDRAULIC			DIELESS (# CRIMPS)	WIRE STRIP LENGTH
																	MD7-34R	BCT500 Y500CT	Y750 Y35, BAT35 Y39, BAT750	Y46	Y45		
YAZ312TC12FX	250 FLEX 637/24 CLASS 1,K,M	---	1/2 [M12]	1	2.00 [51]	1.29 [33]	1.25 [32]	---	.53 [13]	4.95 [126]	.53 [13]	.88 [22]	.18 [5]	1.81 [46]	17 OR 298	WHITE	7	7	7	7	7	HYDRAULIC: Y644, Y644M Y644MBH, (1)	2-1/16
YAZ312TC12FX45				2	2.51 [64]			5.64 [143]		5.29 [134]							2.40 [61]	7	7	7	7		
YAZ312TC12FX90				3	2.92 [74]			3.60 [91]		3.60 [91]							3.60 [91]	7	7	7	7		
YAZ312NTCFX	250 FLEX 637/24 CLASS 1,K,M	---	1/2 [M12]	1	2.00 [51]	1.29 [33]	1.75 [44]	---	.56 [14]	5.64 [143]	.62 [16]	.18 [5]	2.40 [61]	17 OR 298	WHITE	W30VT (4)	W30VT W30RT (4)	U30RT (4)	U30RT (4)	U30RT (4)	HYDRAULIC: Y644, Y644M Y644MBH, (1)	2-1/16	
YAZ312NTCFX45				2				2.51 [64]		5.29 [134]						3.60 [91]	3.60 [91]	7	7	7			7
YAZ312NTCFX90				3				2.92 [74]		3.60 [91]						3.60 [91]	3.60 [91]	7	7	7			7
YAZ312NNTFX	250 FLEX 637/24 CLASS 1,K,M	---	1/2 [M12]	1	2.00 [51]	.98 [25] MAX	1.75 [44]	---	.56 [14]	5.64 [143]	.62 [16]	.18 [5]	2.40 [61]	17 OR 298	WHITE	W30VT (4)	W30VT W30RT (4)	U30RT (4)	U30RT (4)	U30RT (4)	HYDRAULIC: Y644, Y644M Y644MBH, (1)	2-1/16	
YAZ312NNTFX45				2				2.51 [64]		5.29 [134]						3.60 [91]	3.60 [91]	7	7	7			7
YAZ312NNTFX90				3				2.92 [74]		3.60 [91]						3.60 [91]	3.60 [91]	7	7	7			7



NOTES:

- MATERIAL: COPPER TUBING.
- FINISH: TIN PLATED.
- CATALOG # PT6515 ADAPTOR IS REQUIRED TO USE "U" DIES IN Y45 SERIES TOOLS.
- CATALOG # PUADP-1 ADAPTOR IS REQUIRED TO USE "U" DIES IN Y46 SERIES TOOLS.
- PERMANENT DIE IN TOOLING.
- DIMENSIONS IN BRACKETS [ ] ARE IN MILLIMETERS ROUNDED OFF TO THE NEAREST MILLIMETER, UNLESS OTHERWISE NOTED, AND ARE FOR REFERENCE ONLY.
- CRIMP (# OF CRIMPS PER TABLE) WITHIN THE LENGTH BETWEEN THE INK STAMPED CRIMPING AREA.

TO ORDER BURNDY® PRODUCTS CALL		HYLUG™ (TWO HOLE FLEX)	
UNITED STATES 1-800-346-4175 (LONDONDERRY, NH)		ITEM NO: N/A	CAT. NO: YAZ31--- (TABLE)
CANADA: 1-800-361-6975 (QUEBEC) 1-800-387-6487 (ALL OTHER PROVINCES)		DRAWN BY: B MICHAUD 8/25/99	CHECKER: K HENRY 8/26/99
FOR PRODUCT INFO: <a href="http://www.fciconnect.com">http://www.fciconnect.com</a>		DSN APPVL: B MICHAUD 9/28/99	MFG APPVL: --
		QA APPVL: J BRODEUR 10/6/99	MKT APPVL: R ROICHEAU 10/5/99
		PROJ #: --	SCALE: NTS
		SIZE: D	DRAWING NO: SE212273
		DOCUMENT TYPE: Sales	REV: C
		REL LEVEL: Released	SHEET 34 OF 48

REV: PE0200