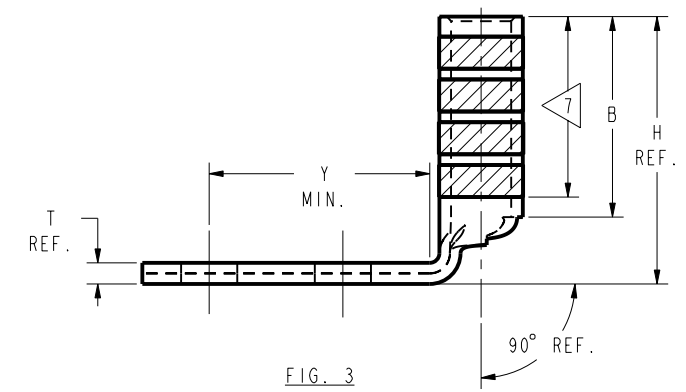
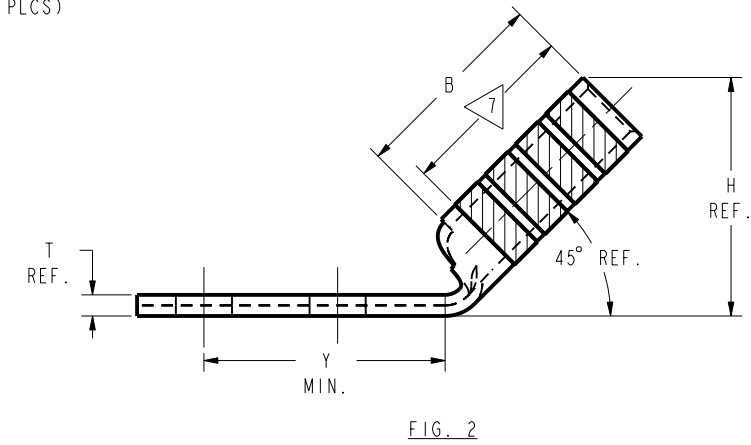
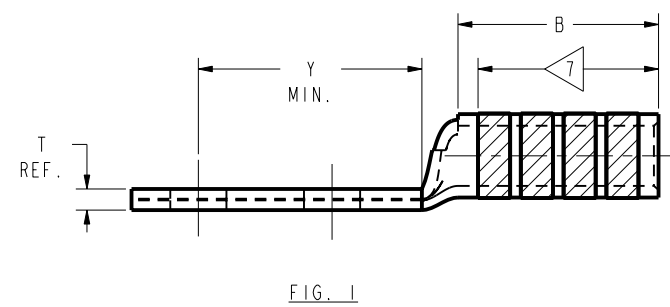
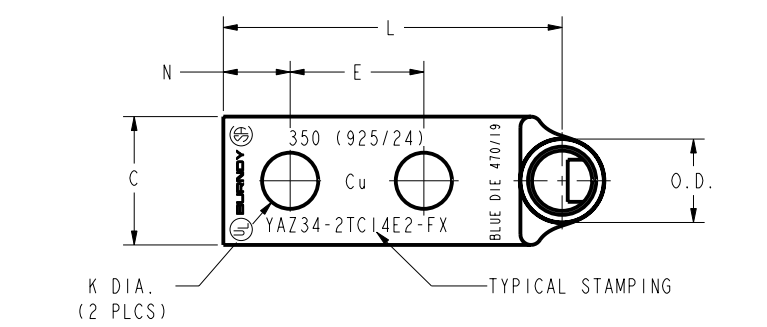
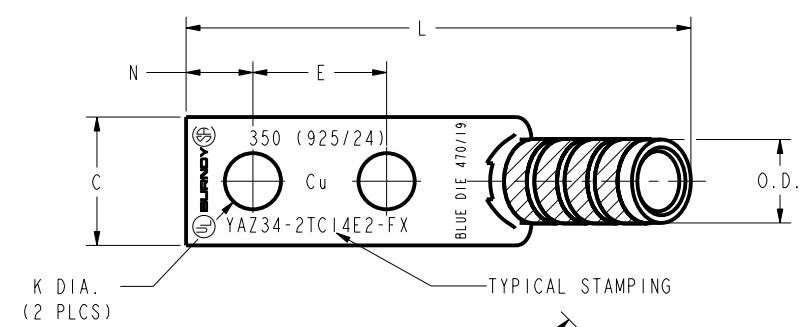
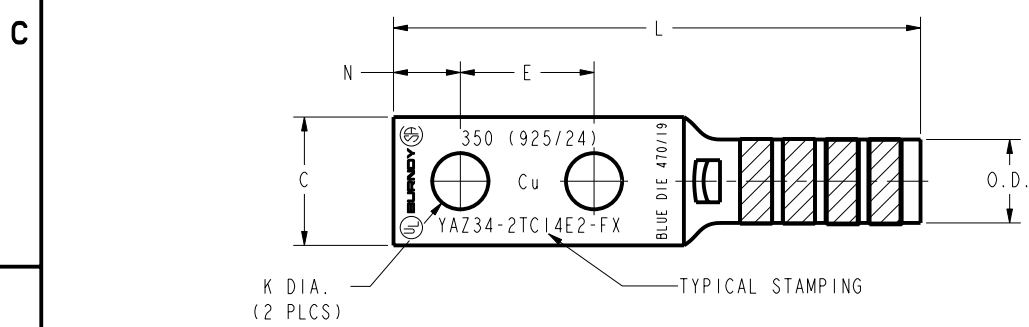


REV	DATE	DESCRIPTION	ECO	BY	C'H'K.
D	1/11/2001 12:00:00 AM	REDRAW AND CATALOG NUMBER UPDATON OF SALES DRAWINGS	17057	BSB	BSK

CATALOG NO.	CONDUCTOR		BOLT SIZE	FIG. NO.	DIMENSIONS										INSTALLATION TOOLING (# CRIMPS)								
	FLEX	CODE (AWG)			B ±.08	C +.04 -.02	E ±.02	H REF.	K DIA. ±.02	L ±.12	N ±.03	O.D. ±.01	T REF.	Y MIN.	DIE INDEX	COLOR CODE	MECHANICAL		HYDRAULIC			DIELESS (# CRIMPS)	WIRE STRIP LENGTH
																	MD7-34R	BCT500 Y500CT	Y750 Y35, BAT35 Y39, BAT750	Y46 <4	Y45 <3		
YAZ342TC14E2FX	373.7 kcmil 925/24 350 kcmil FLEX	---	1/4 [M6]	1	2.25 [57]	.75 [19]	---	.27 [7]	4.42 [112]	.31 [8]	1.06 [27]	.23 [6]	1.09 [28]	19 OR 470	BLUE	<7	<7	<7	<7	<7	HYDRAULIC: Y644, Y644M Y644MBH, (1)	2-5/16	
YAZ342TC14E2FX45																<7	<7	<7	<7	<7			
YAZ342TC14E2FX90																<7	<7	<7	<7	<7			
YAZ342NT38FX	373.7 kcmil 925/24 350 kcmil FLEX	---	3/8 [M10]	1	.96 [24]	1.00 [25]	---	.40 [10]	4.85 [123]	.41 [10]	1.06 [27]	.23 [6]	1.43 [36]	19 OR 470	BLUE	W32VT (4)	W32VT W32RT (4)	U32RT (4)	U32RT (4)	U32RT (4)	HYDRAULIC: Y644, Y644M Y644MBH, (1)	2-5/16	
YAZ342NT38FX45																<7	<7	<7	<7	<7			
YAZ342NT38FX90																<7	<7	<7	<7	<7			
YAZ342NT38FX90G1																<7	<7	<7	<7	<7			



- NOTES:
- MATERIAL: COPPER TUBING.
 - FINISH: TIN PLATED.
 - CATALOG # PT6515 ADAPTOR IS REQUIRED TO USE "U" DIES IN Y45 SERIES TOOLS.
 - CATALOG # PUADP-1 ADAPTOR IS REQUIRED TO USE "U" DIES IN Y46 SERIES TOOLS.
 - PERMANENT DIE IN TOOLING.
 - DIMENSIONS IN BRACKETS [] ARE IN MILLIMETERS ROUNDED OFF TO THE NEAREST MILLIMETER, UNLESS OTHERWISE NOTED, AND ARE FOR REFERENCE ONLY.
 - CRIMP (# OF CRIMPS PER TABLE) WITHIN THE LENGTH BETWEEN THE INK STAMPED CRIMPING AREA.

TO ORDER BURNDY® PRODUCTS CALL UNITED STATES 1-800-346-4175 (LONDONDERRY, NH) CANADA: 1-800-361-6975 (QUEBEC) 1-800-387-6487 (ALL OTHER PROVINCES) FOR PRODUCT INFO: http://www.fciconnect.com	HYLUG™ (TWO HOLE FLEX)	
	ITEM NO:	N/A
	CAT. NO:	YAZ34--- (TABLE)
	DRAWN BY:	B MICHAUD 8/25/99
	CHECKER:	D BOISVERT 8/26/99
	DSN APPVL:	RR TEAM 9/28/99
	MFG APPVL:	-- --
	QA APPVL:	J BRODEUR 10/6/99
	MKT APPVL:	R ROBICHEAU 10/5/99
	PROJ #:	--
PROJECT #:	--	
DOCUMENT TYPE:	Sales	
REL LEVEL:	Released	
SCALE:	NTS	
DRAWING NO:	SE212273	
REV:	D	
SHEET:	36 OF 48	

REV: PE0200