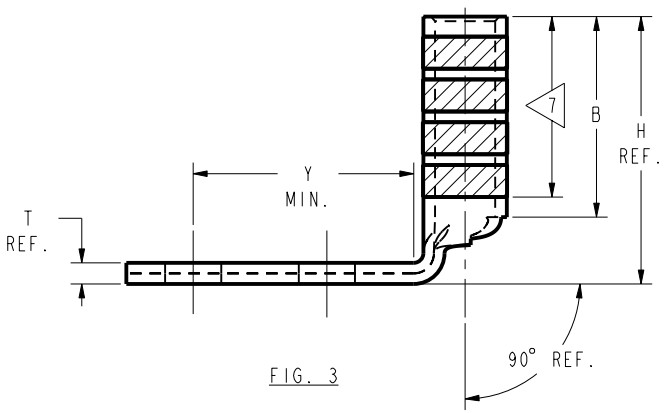
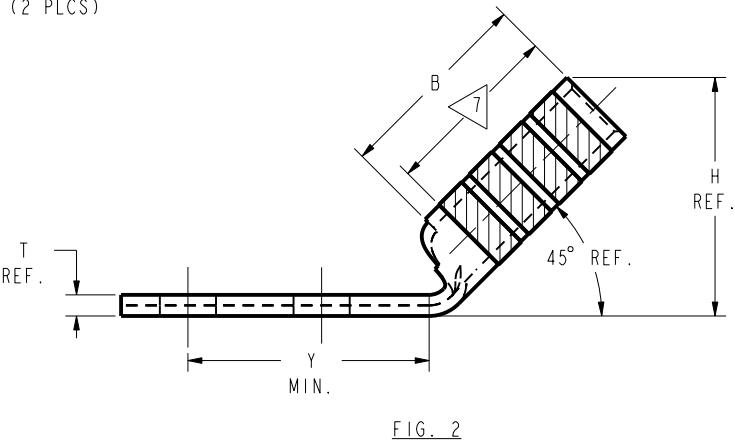
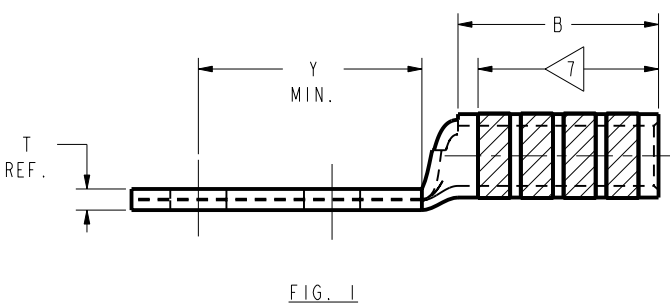
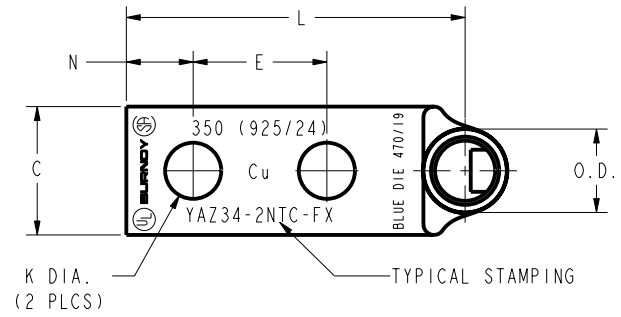
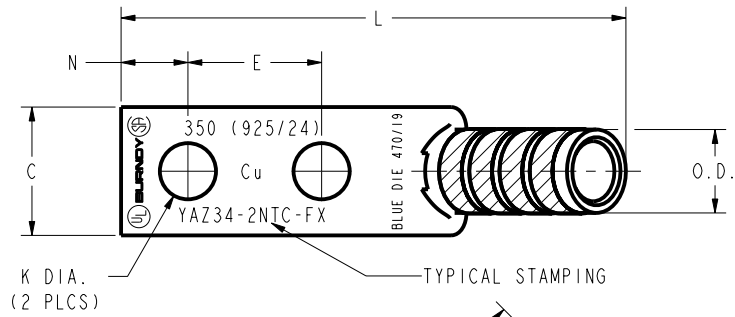
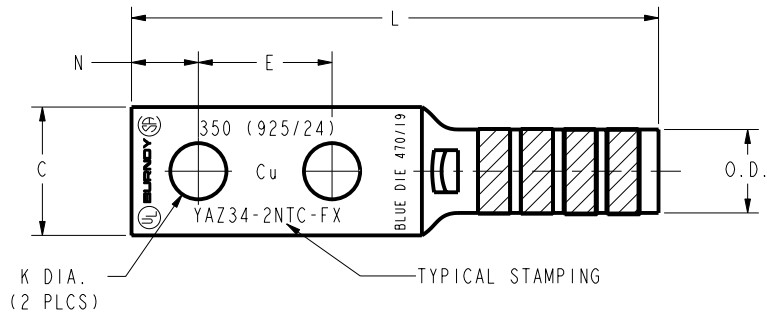


REV	DATE	DESCRIPTION	ECO	BY	C'H'K.
D	1/11/2001 12:00:00 AM	REDRAW AND CATALOG NUMBER UPDATON OF SALES DRAWINGS	17057	BSB	BSK

CATALOG NO.	CONDUCTOR		BOLT SIZE	FIG. NO.	DIMENSIONS										INSTALLATION TOOLING (# CRIMPS)										
	FLEX	CODE (AWG)			B	C	E	H	K DIA.	L	N	O.D.	T REF.	Y MIN.	DIE INDEX	COLOR CODE	MECHANICAL		HYDRAULIC		DIELESS (# CRIMPS)	WIRE STRIP LENGTH			
																	MD7-34R	BCT500 Y500CT PAT600	Y750, PAT750 Y35, BAT35 Y39, BAT750	Y46 PAT46			Y45		
YAZ342NTCFX	373.7 kcmil 925/24 350 kcmil FLEX	---	1/2 [M12]	1	---	---	---	---	6.04 [153]	---	---	---	---	---	---	19 OR 470	BLUE	7	7	7	7	7	HYDRAULIC: Y644, Y644M Y644MBH, (1) Y81KFT (2) PAT81KFT (2)	2-5/16	
YAZ342NTCFX45				2	2.25 [57]	1.55 [39]	1.75 [44]	2.94 [75]	.56 [14]	5.69 [145]	.62 [16]	1.06 [27]	.23 [6]	2.40 [61]	---	---	---	---	---	---	---	---			---
YAZ342NTCFX90				3	3.41 [87]	---	---	---	---	---	3.73 [95]	---	---	---	---	---	---	---	---	---	---	---			---



NOTES:

1. MATERIAL: COPPER TUBING.
2. FINISH: TIN PLATED.
3. CATALOG # PT6515 ADAPTOR IS REQUIRED TO USE "U" DIES IN Y45 SERIES TOOLS.
4. CATALOG # PUADP-1 ADAPTOR IS REQUIRED TO USE "U" DIES IN Y46 SERIES TOOLS.
5. PERMANENT DIE IN TOOLING.
6. DIMENSIONS IN BRACKETS [] ARE IN MILLIMETERS ROUNDED OFF TO THE NEAREST MILLIMETER, UNLESS OTHERWISE NOTED, AND ARE FOR REFERENCE ONLY.
7. CRIMP (# OF CRIMPS PER TABLE) WITHIN THE LENGTH BETWEEN THE INK STAMPED CRIMPING AREA.

TO ORDER BURNDY® PRODUCTS CALL UNITED STATES 1-800-346-4175 (LONDONDERRY, NH) CANADA: 1-800-361-6975 (QUEBEC) 1-800-387-6487 (ALL OTHER PROVINCES) FOR PRODUCT INFO: http://www.fciconnect.com	HYLUG™ (TWO HOLE FLEX)	
	ITEM NO:	N/A
	CAT. NO:	YAZ34--- (TABLE)
	DRAWN BY:	B MICHAUD 8/25/99
	CHECKER:	D BOISVERT 8/26/99
	DSN APPVL:	RR TEAM 9/28/99
	MFG APPVL:	---
	QA APPVL:	J BRODEUR 10/6/99
	MKT APPVL:	R ROBICHEAU 10/5/99
	PROJ #:	---
PROJECT #:	---	
DOCUMENT TYPE:	Sales	
REL LEVEL:	Released	
SCALE:	NTS	
DRAWING NO:	SE212273	
REV:	D	
SHEET:	38 OF 48	

REV: PE0200