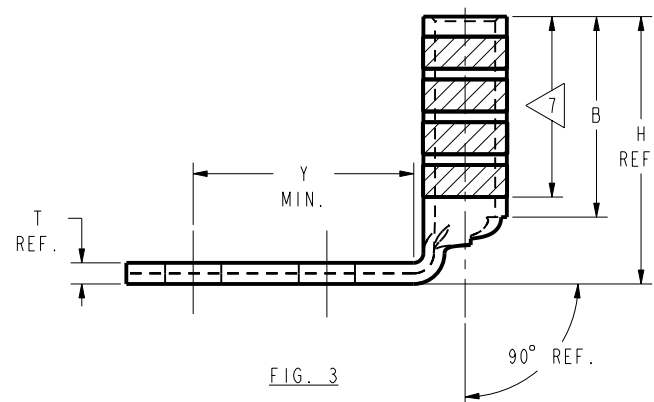
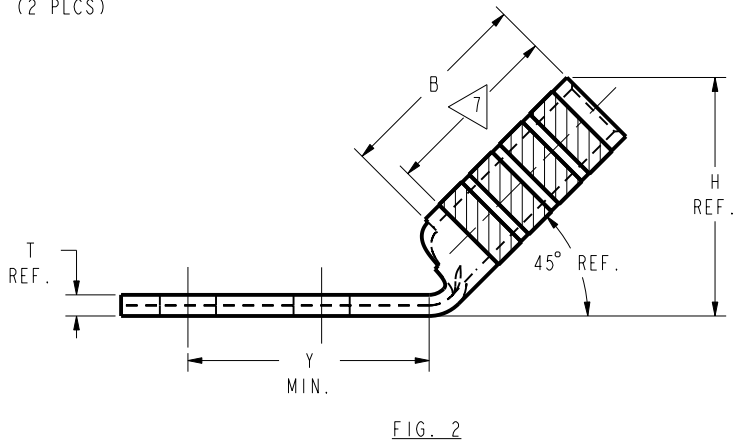
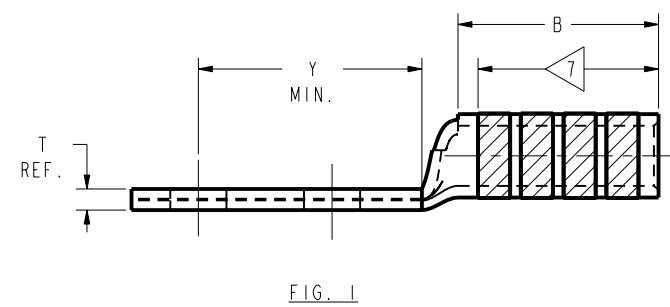
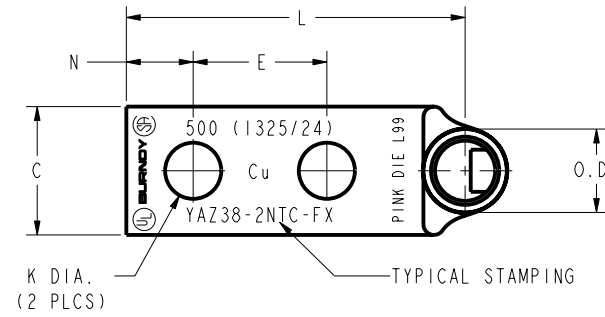
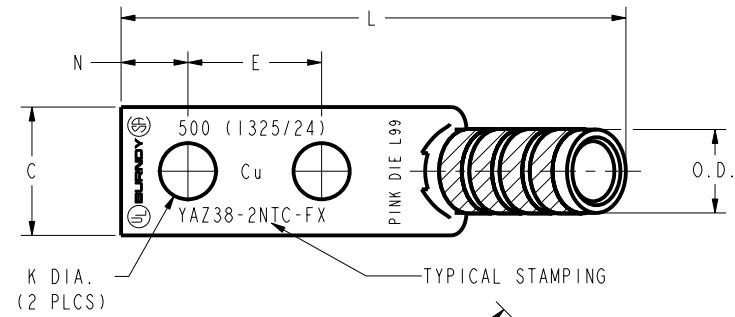
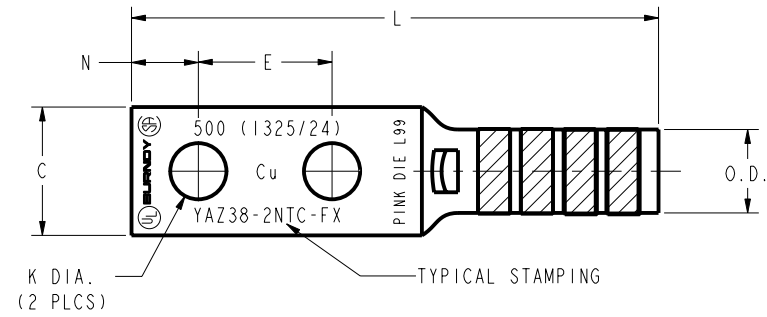


REV	DATE	DESCRIPTION	ECO	BY	C'H'K.
B	1/11/2001 12:00:00 AM	REDRAW AND CATALOG NUMBER UPDATON OF SALES DRAWINGS	17057	BSB	BSK

CATALOG NO.	CONDUCTOR		BOLT SIZE	FIG. NO.	DIMENSIONS										INSTALLATION TOOLING (# CRIMPS)						
	FLEX	CODE (AWG)			B ±.09	C ±.06	E ±.02	H REF.	K DIA. ±.02	L ±.15	N ±.06	O.D. ±.01	T REF.	Y MIN.	DIE INDEX	COLOR CODE	HYDRAULIC			DIELESS (# CRIMPS)	WIRE STRIP LENGTH
YAZ382NTCFX				1																	
YAZ382NTCFX45	535.3 kcmil 1325/24	---	1/2 [M12]	2	2.81 [71]	1.62 [41]	1.75 [44]	3.57 [91]	.56 [14]	6.26 [159]	.62 [16]	1.25 [32]	.27 [7]	2.40 [61]	L99	PINK	Y750 Y35, BAT35 Y39, BAT750	Y46 \triangleleft 4	Y45 \triangleleft 3	HYDRAULIC: Y644, Y644M Y644MBH, (1)	2-3/4
YAZ382NTCFX90	500 kcmil FLEX			3				4.16 [106]		3.84 [98]							U38XRT UR4140WE (4)	U38XRT UR4140WE (4)	U38XRT UR4140WE (4)		



NOTES:

- MATERIAL: COPPER TUBING.
- FINISH: TIN PLATED.
- \triangleleft CATALOG # PT6515 ADAPTOR IS REQUIRED TO USE "U" DIES IN Y45 SERIES TOOLS.
- \triangleleft CATALOG # PUADP-1 ADAPTOR IS REQUIRED TO USE "U" DIES IN Y46 SERIES TOOLS.
- \triangleleft PERMANENT DIE IN TOOLING.
- DIMENSIONS IN BRACKETS [] ARE IN MILLIMETERS ROUNDED OFF TO THE NEAREST MILLIMETER, UNLESS OTHERWISE NOTED, AND ARE FOR REFERENCE ONLY.
- \triangleleft CRIMP (# OF CRIMPS PER TABLE) WITHIN THE LENGTH BETWEEN THE INK STAMPED CRIMPING AREA.

TO ORDER BURNDY® PRODUCTS CALL		HYLUG™ (TWO HOLE FLEX)	
UNITED STATES 1-800-346-4175 (LONDONDERRY, NH)		ITEM NO: N/A	CAT. NO: YAZ38--- (TABLE)
CANADA: 1-800-361-6975 (QUEBEC) 1-800-387-6487 (ALL OTHER PROVINCES)		DRAWN BY: D BOISVERT 8/19/99	CHECKER: B MICHAUD 8/31/99
FOR PRODUCT INFO: http://www.fciconnect.com		DSN APPVL: RR TEAM 9/28/99	MFG APPVL: --
		QA APPVL: J BRODEUR 10/6/99	MKT APPVL: R ROBICHEAU 10/5/99
		PROJ #:	SCALE: NTS
		SIZE: D	DRAWING NO: SE212273
		DOCUMENT TYPE: Sales	REV: B
		REL LEVEL: Released	SHEET 42 OF 48

REV: PE0200