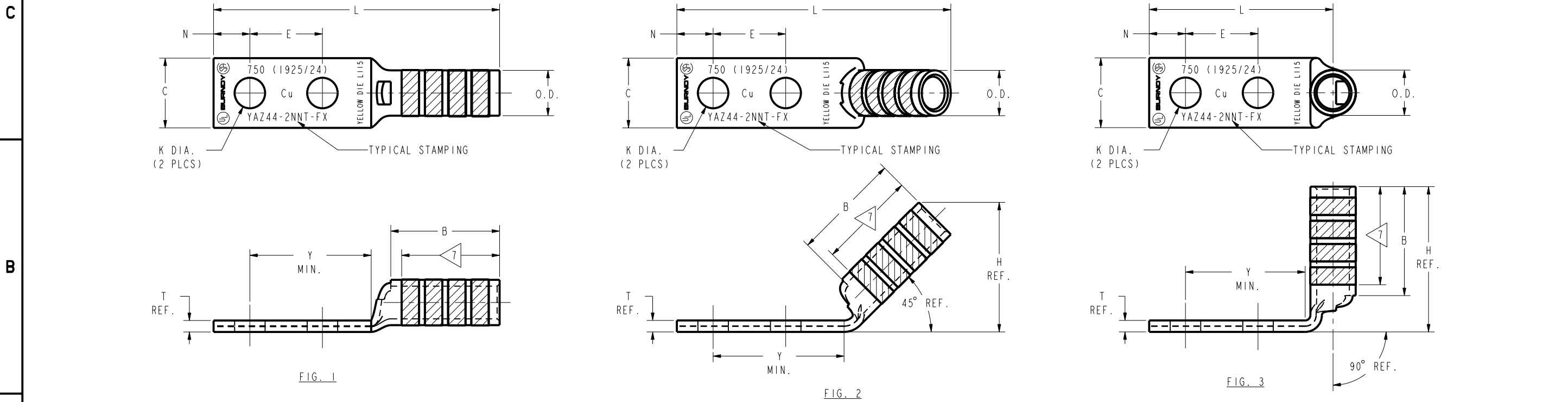


REV	DATE	DESCRIPTION	ECO	BY	C'H'K.
D	1/11/2001 12:00:00 AM	REDRAW AND CATALOG NUMBER UPDATON OF SALES DRAWINGS	17057	BSB	BSK

CATALOG NO.	CONDUCTOR		BOLT SIZE	FIG. NO.	DIMENSIONS										INSTALLATION TOOLING (# CRIMPS)															
	FLEX	CODE (AWG)			B ± .09	C ± .06	E ± .02	H REF.	K DIA. ± .02	L ± .15	N ± .06	O.D. ± .01	T REF.	Y MIN.	DIE INDEX	COLOR CODE	HYDRAULIC			DIELESS (# CRIMPS)	WIRE STRIP LENGTH									
																	Y750 Y35, BAT35 Y39, BAT750	Y46	Y45											
YAZ442NNTFX	777.7 kcmil 1925/24 750 kcmil FLEX	---	1/2 [M12]	1	3.00 [76]	1.62 [41]	1.75 [44]	---	.56 [14]	7.09 [180]	.62 [16]	1.50 [38]	.33 [8]	2.40 [61]	L115	YELLOW	7	7	7	HYDRAULIC: Y644, Y644M Y644MBH, (1)	3-1/16									
YAZ442NNTFX45				2	4.02 [102]			4.02 [102]		6.66 [169]					---	---	---	---	---			---	---	---	---	---	---	---	---	---
YAZ442NNTFX90				3	4.64 [118]			4.02 [102]		4.02 [102]					---	---	---	---	---			---	---	---	---	---	---	---	---	---
YAZ442NTCFX	777.7 kcmil 1925/24 750 kcmil FLEX	---	1/2 [M12]	1	2.19 [56]	1.75 [44]	---	.56 [14]	7.09 [180]	.62 [16]	1.50 [38]	.33 [8]	2.40 [61]	L115	YELLOW	U44XRT UR4141WE (4)	U44XRT UR4141WE (4)	U44XRT UR4141WE (4)	HYDRAULIC: Y644, Y644M Y644MBH, (1)	3-1/16										
YAZ442NTCFX45				2			4.02 [102]		4.02 [102]					6.66 [169]	---	---	---	---			---	---	---	---	---	---	---	---	---	
YAZ442NTCFX90				3			4.64 [118]		4.02 [102]					4.02 [102]	---	---	---	---			---	---	---	---	---	---	---	---	---	---



- NOTES:
- MATERIAL: COPPER TUBING.
  - FINISH: TIN PLATED.
  - CATALOG # PT6515 ADAPTOR IS REQUIRED TO USE "U" DIES IN Y45 SERIES TOOLS.
  - CATALOG # PUADP-1 ADAPTOR IS REQUIRED TO USE "U" DIES IN Y46 SERIES TOOLS.
  - PERMANENT DIE IN TOOLING.
  - DIMENSIONS IN BRACKETS [ ] ARE IN MILLIMETERS ROUNDED OFF TO THE NEAREST MILLIMETER, UNLESS OTHERWISE NOTED, AND ARE FOR REFERENCE ONLY.
  - CRIMP (# OF CRIMPS PER TABLE) WITHIN THE LENGTH BETWEEN THE INK STAMPED CRIMPING AREA.

TO ORDER BURNDY® PRODUCTS CALL  UNITED STATES 1-800-346-4175 (LONDONDERRY, NH)  CANADA: 1-800-361-6975 (QUEBEC) 1-800-387-6487 (ALL OTHER PROVINCES)  FOR PRODUCT INFO: <a href="http://www.fciconnect.com">http://www.fciconnect.com</a>	HYLUG™ (TWO HOLE FLEX)	
	ITEM NO:	N/A
	CAT. NO:	YAZ44--- (TABLE)
	DRAWN BY:	B MICHAUD 8/25/99
	CHECKER:	D BOISVERT 8/26/99
	DSN APPVL:	RR TEAM 9/28/99
	MFG APPVL:	---
	QA APPVL:	J BRODEUR 10/6/99
	MKT APPVL:	R ROBICHEAU 10/5/99
	PROD FAM:	---
PROJECT #:	---	
DOCUMENT TYPE:	Sales	
REL LEVEL:	Released	
SCALE:	NTS	
DRAWING NO:	SE212273	
REV:	D	
SHEET:	47 OF 48	

REV: PE0200