

REV	DATE	DESCRIPTION	ECO	BY	C'H'K.
E	2021-08-18 00:00:00 EDT	LOGO UPDATION	210802010808	SS	YR

CATALOG NO.	CONDUCTOR		BOLT SIZE	FIG. NO.	DIMENSIONS								INSTALLATION TOOLING (# CRIMPS)																			
	CODE (AWG)	NAVY			B	C	H REF.	K DIA.	L	N	O.D.	T REF.	Z MIN.	DIE INDEX	COLOR CODE	MECHANICAL			HYDRAULIC				DIELESS (# CRIMPS)	WIRE STRIP LENGTH								
																MD7-34R MD6	OUR840	Y2MR	BCT500 Y500CT	Y34A	Y750 Y35, BAT35 Y39, BAT750	Y46			Y45							
YAZ4CTC12	#4 AWG. [-----]	40	±.06	±.04	--	±.02	2.50 [64]	±.04	±.01	.06 [1.5]	.55 [14]	8 OR 346	GRAY	W4CVT W4CRT (2)	W4CVT W4CRT (2)	GRAY (4)	W4CVT W4CRT (2)	A4CR A6CAB (2)	U4CRT U6CABT (2)	U4CRT U6CABT (2)	MECHANICAL, MY29-11(1) HYDRAULIC Y644, Y644M BAT644M Y644MBH, Y1000 Y1000BH (1)	1-3/16										
YAZ4CTC1245																							1/2 [M12]	2	.73 [19]	1.24 [31]	.52 [13]	2.23 [57]	.53 [13]	.34 [9]	.14 [3]	.67 [16]
YAZ4CTC1290																							7/16 [M10]	3	1.12 [28]	1.50 [38]	1.32 [34]					
YAZ4CTC1090																																
YAZ4CTC58																							5/8 [14]	1	.91 [23]	---	.69 [17]	2.68 [68]	.66 [16]			

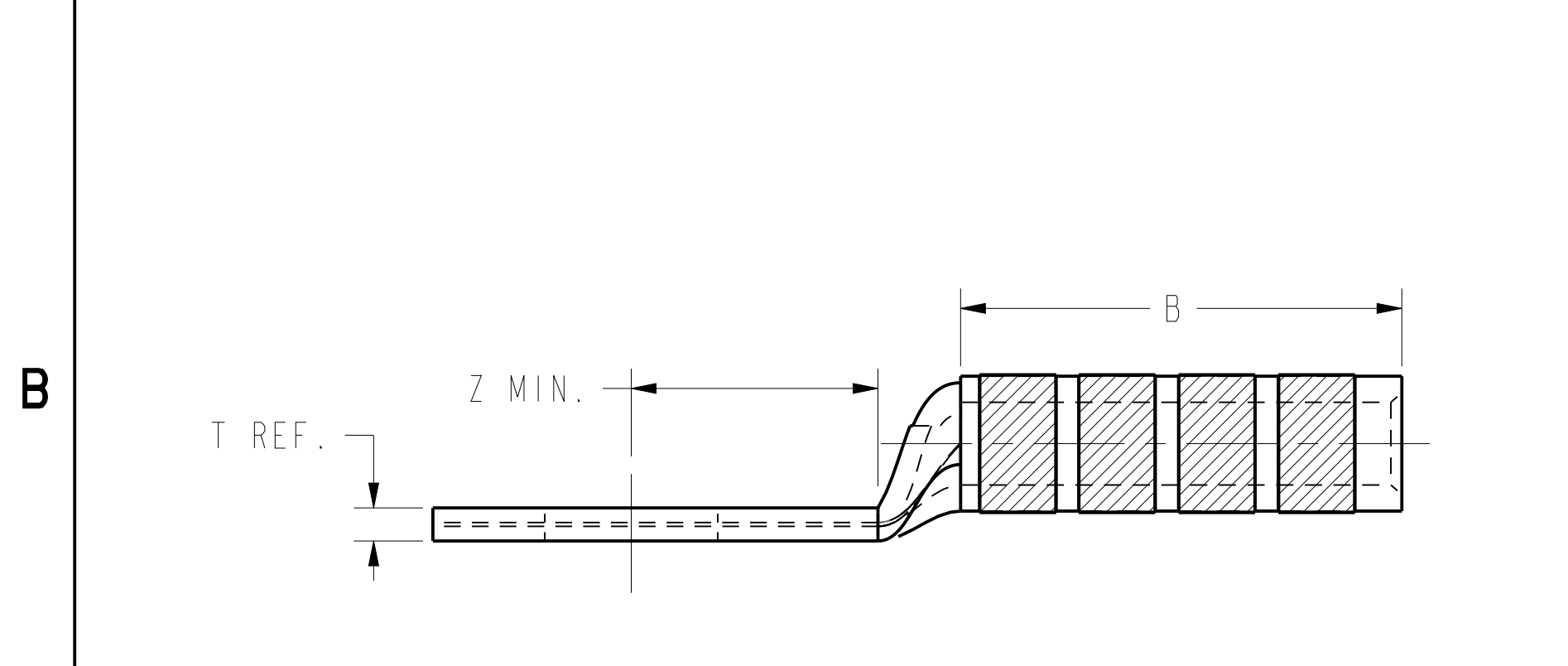
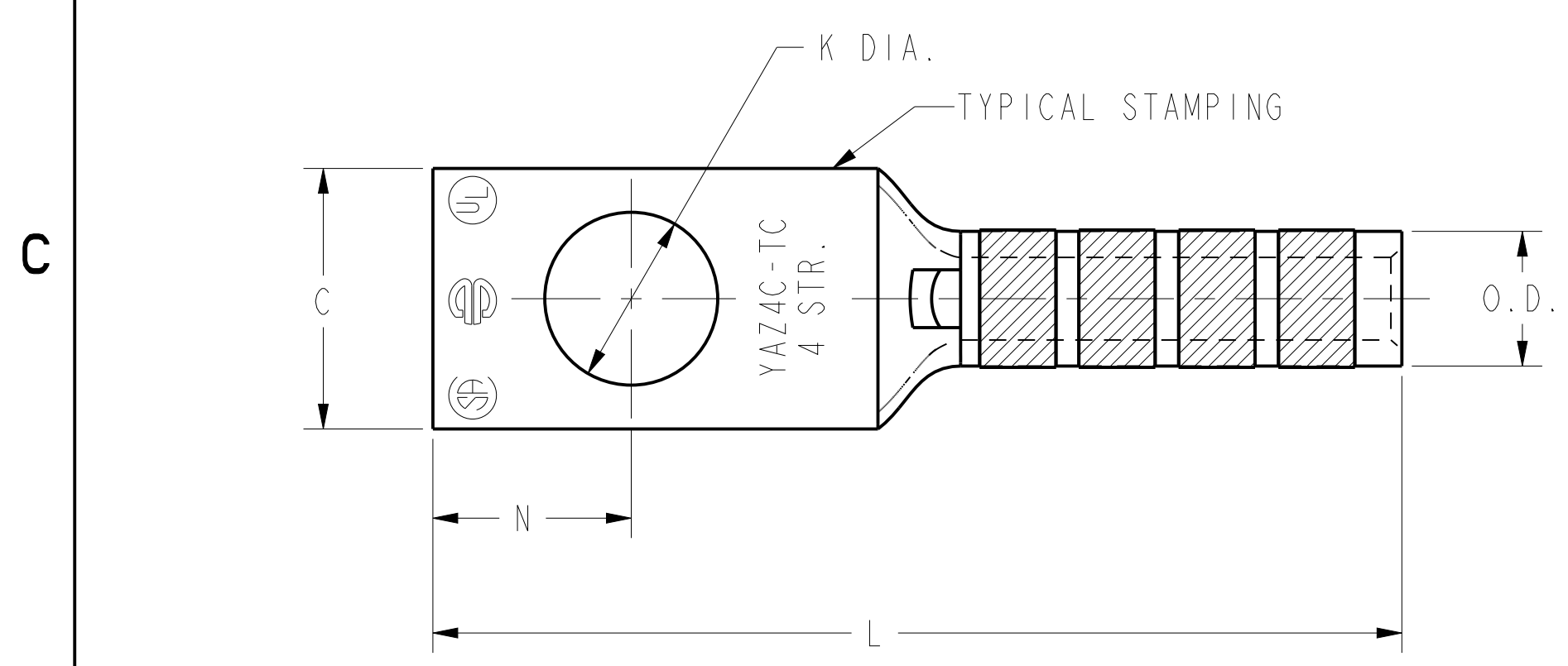


FIG. 1

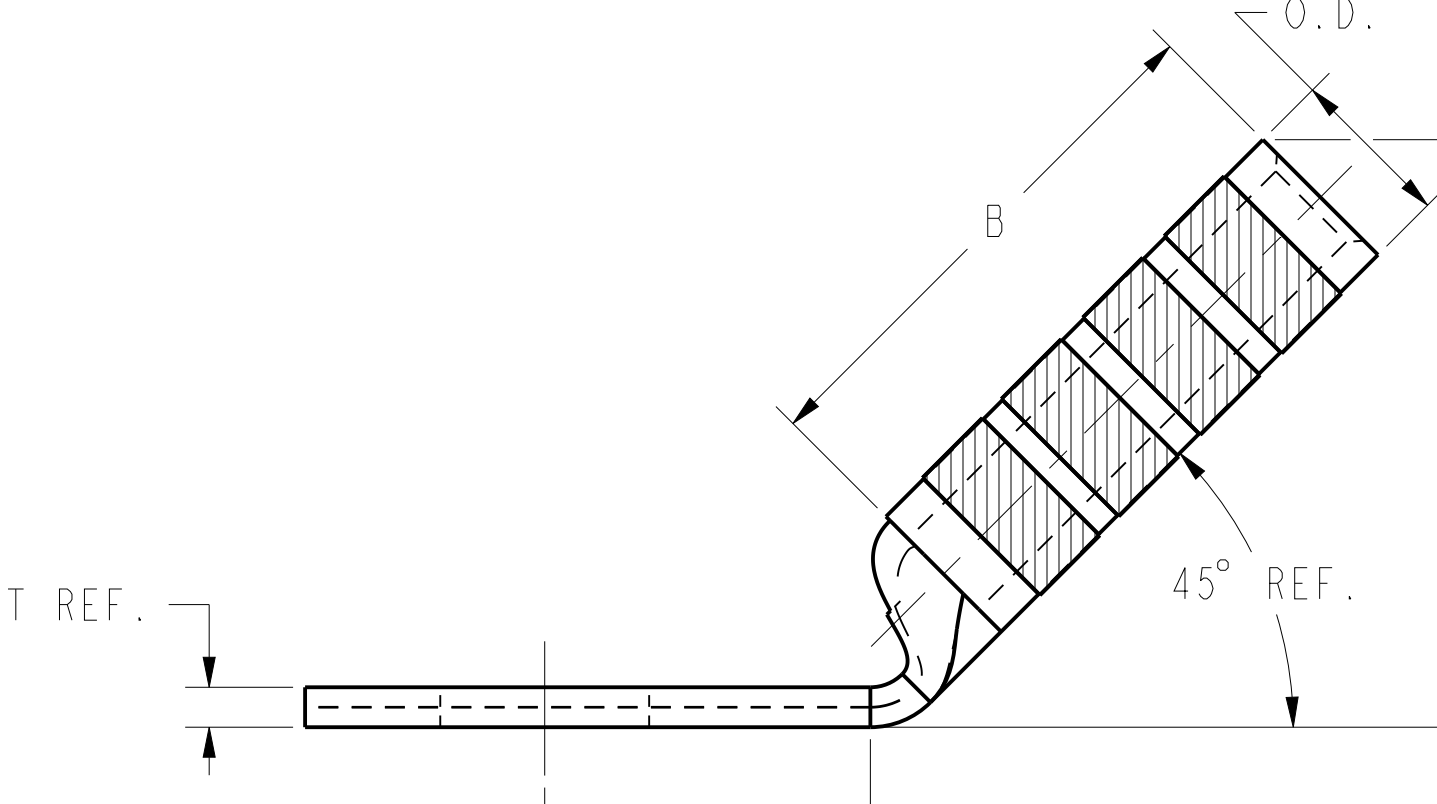
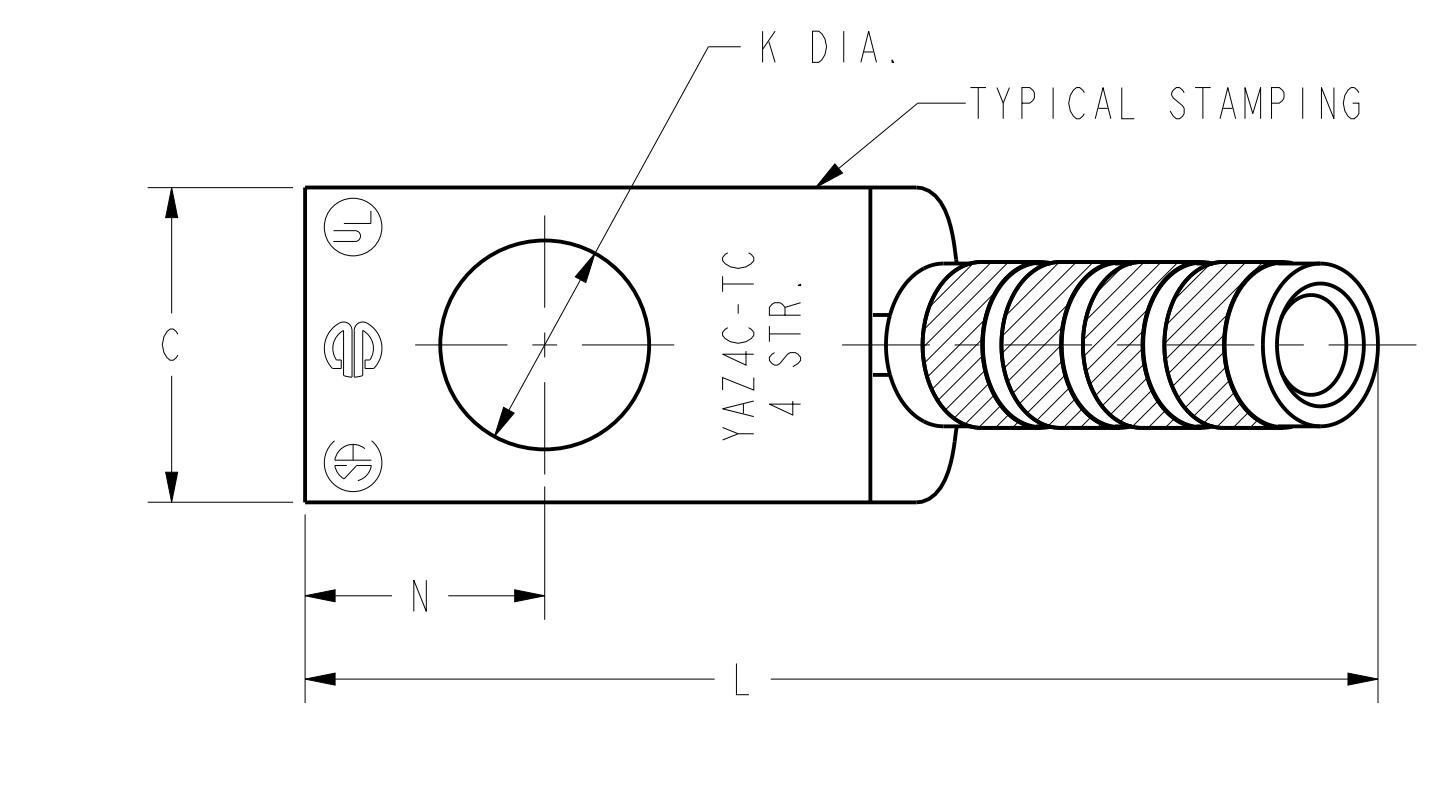


FIG. 2

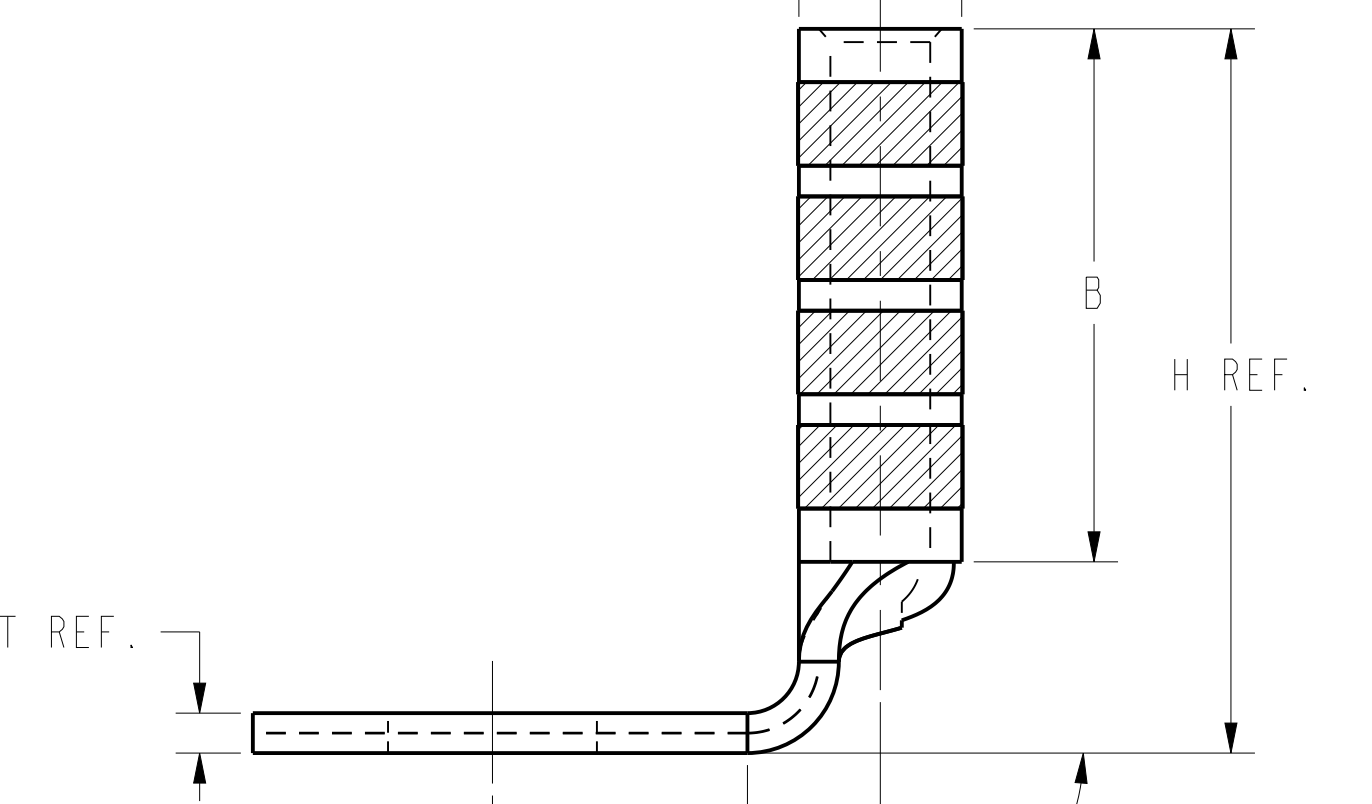
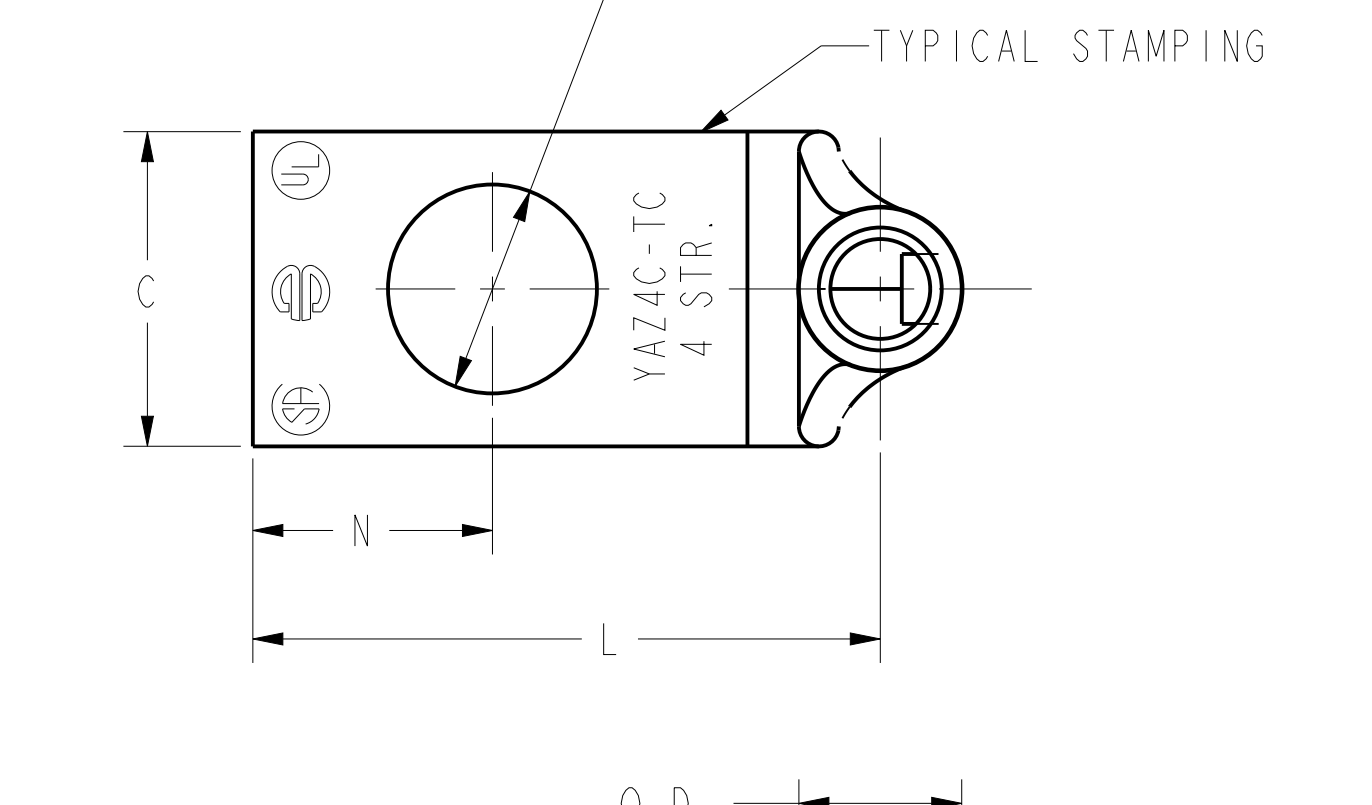


FIG. 3

- NOTES:
- MATERIAL: COPPER TUBING.
  - FINISH: TIN PLATED
  - CATALOG # PT6515 ADAPTOR IS REQUIRED TO USE "U" DIES IN Y45 SERIES TOOLS.
  - CATALOG # PUADP-1 ADAPTOR IS REQUIRED TO USE "U" DIES IN Y46 SERIES TOOLS.
  - NAVY CABLE SIZE MAY BE OMITTED ON SOME SIZES BECAUSE OF SPACE LIMITATIONS.
  - INSTALLATION TOOLING AND DIES ARE CONSTANTLY BEING UPDATED. FOR THE LATEST INSTALLATION TOOLING INFORMATION, REFER TO THE MASTER CATALOG ON THE BURNDY WEBSITE.
  - DIMENSIONS, METRIC WIRE, & METRIC BOLT SIZES IN BRACKETS [ ] ARE IN MILLIMETERS. DIMENSIONS ARE ROUNDED OFF TO THE NEAREST MILLIMETER, UNLESS OTHERWISE NOTED, AND ARE FOR REFERENCE ONLY.
  - FOR USE BY CUSTOMERS THAT HAVE THIS HYPRESS™. NO NEW Y34A HYPRESS™ TOOLS ARE BEING PROCESSED.
  - THESE CONNECTORS CANNOT BE INSTALLED WITH Y45 TOOLING.

TO ORDER BURNDY® PRODUCTS CALL  
 UNITED STATES:  
 1-800-346-4175 (LONDONDERRY, NH)  
 CANADA:  
 1-800-361-6975 (QUEBEC)  
 1-800-367-6487 (ALL OTHER PROVINCES)  
 FOR PRODUCT INFO: <http://www.burndy.com>

HYLUG™ (ONE HOLE CODE)	
ITEM NO:	NA
CAT. NO:	YAZ4C-TC- (TABLE)
DRAWN BY:	D. BOISVERT 02/03/2000
CHECKER:	R. BOISVERT 01/10/2001
DSN APPVL:	J. MICHAUD 05/04/2000
MFG APPVL:	N/A
QA APPVL:	S. BROWN
MKT APPVL:	N/A
PROD FAM:	--
PROJECT #:	--
DOCUMENT TYPE:	Sales
REL LEVEL:	Released



SCALE: NTS	DRAWING NO	REV
	SE212356	E
	SHEET 8 OF 40	

REV: CREO 08/10/21