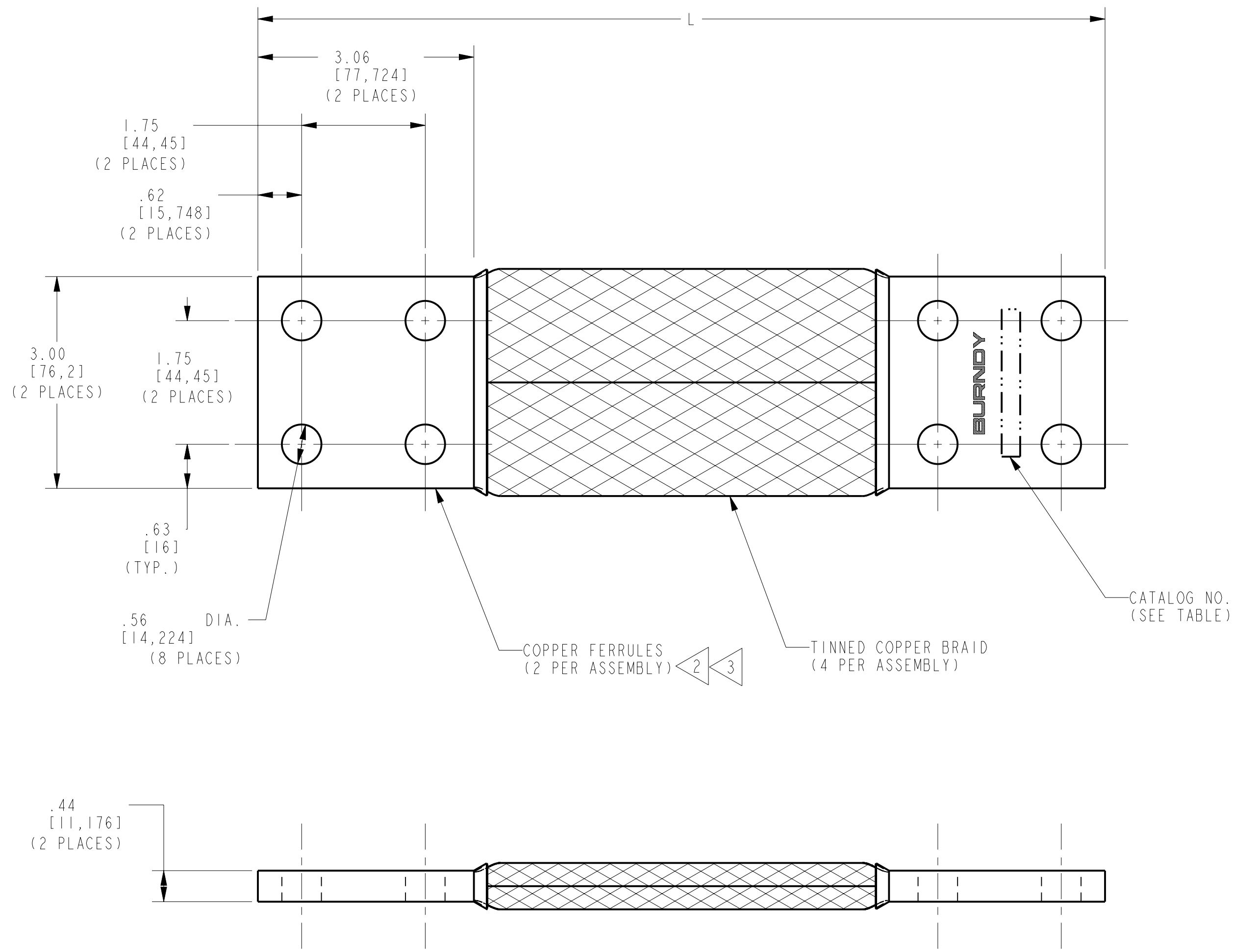


DRAWING NO.	
SE212603-01	
CATALOG NO.	L
B22F94N	9.00 [229]
B22F124N	12.00 [305]
B22F154N	15.00 [381]
B22F174N	17.00 [432]
B22F17D194N	17.19 [437]
B22F17D314N	17.31 [440]
B22F184N	18.00 [457]
B22F204N	20.00 [508]
B22F23D254N	23.25 [591]
B22F23D374N	23.37 [594]
B22F244N	24.00 [610]
B22F264N	26.00 [660]
B22F274N	27.00 [686]
B22F364N	36.00 [914]
B22F484N	48.00 [1219]

REV	DATE	DESCRIPTION	ECO	BY	C'K.
C	09/05/2017 00:00:00 AM	B22F364N ADDED IN TABLE	47550	SM	MB



- NOTES:
- APPROXIMATE AMP RATING: 1100 A
THIS MAY VARY WITH AMBIENT CONDITIONS, ORIENTATION OF THE BRAID AND OTHER SERVICE CONDITIONS.
 - DIMENSIONS IN BRACKETS [] ARE IN MILLIMETERS ROUNDED OFF TO THE NEAREST MILLIMETER, UNLESS OTHERWISE SPECIFIED, AND ARE FOR REFERENCE ONLY.
 - CAN BE ORDERED WITH PLATED FERRULES BY ADDING SUFFIX AS SHOWN BELOW:
"NK" - FOR NICKEL PLATING
"SV" - FOR SILVER PLATING
"TN" - FOR TIN PLATING
"W" - FOR HOT TIN DIPPED
 - CAN BE ORDERED WITH UNDRILLED FERRULES BY ADDING SUFFIX "U".

TO ORDER BURNDY® PRODUCTS CALL
 UNITED STATES:
 1-800-346-4175 (LONDONDERRY, NH)
 CANADA:
 1-800-361-6975 (QUEBEC)
 1-800-387-6487 (ALL OTHER PROVINCES)
 FOR PRODUCT INFO: <http://www.burndy.com>

FLEXIBLE BRAID	
ITEM NO:	N/A
CAT. NO:	B22F--4N (SEE TABLE)
DRAWN BY:	R. BOISVERT 07/14/09
CHECKER:	J. PARKER 07/14/09
DSN APPVL:	J. PARKER 06/29/09
MFG APPVL:	-- --
QA APPVL:	J. BRODEUR 06/29/09
MKT APPVL:	P. THERRIEN 06/29/09
PROD FAM:	--
PROJECT #:	--
DOCUMENT TYPE:	Sales
REL LEVEL:	Released
SCALE:	3:4
DRAWING NO:	SE212603-01
REV:	C
SHEET 1 OF 1	



REV: PE0200