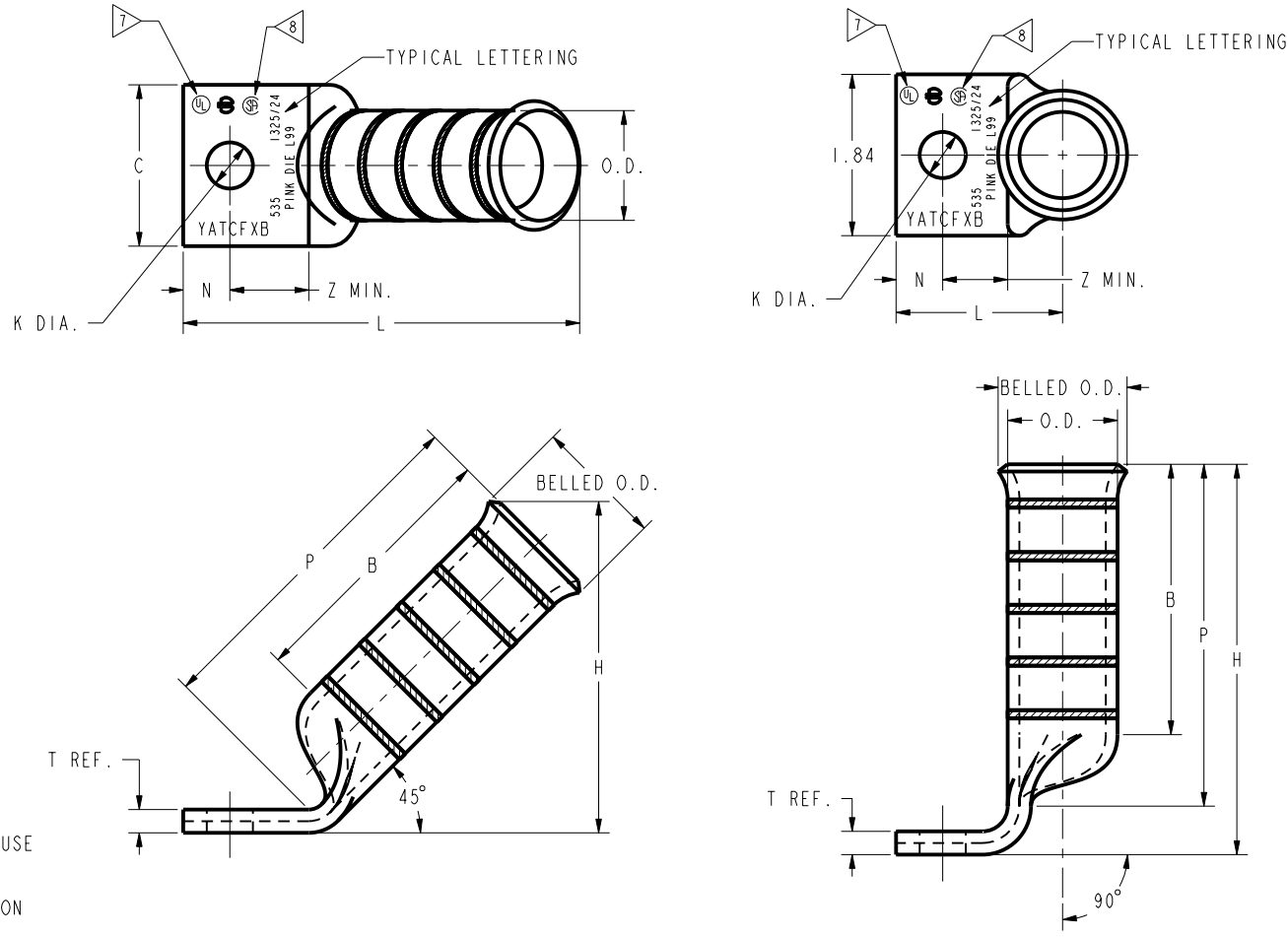


DRAWING NO.  
SE212946-01

CATALOG NUMBER	ACCOMMODATES FLEXIBLE CABLE CODE AWG	STUD SIZE	FIG. NO.	DIMENSIONS											CABLE STRIP LENGTH	INSTALLATION TOOLING					
				B	C	H	K DIA.	L	N	P	T REF.	Z MIN.	BELL ±.06	O.D.		DIELESS TOOLS		DIE INDEX	COLOR CODE	DIE NUMBER (# OF CRIMPS)	
																MECHANICAL HYTOOL™ (CRIMPS)	HYDRAULIC HYPRESS™				
YAV2CTC14FXB45	#2 (150/24)	1/4 [M6]	1	1.35 [34]	.68 [17]	1.55 [39]	.27 [7]	2.10 [53]	.31 [8]	1.65 [42]	.10 [3]	.54 [14]	.46 [12]	1-7/16 [37]	MY29-3 (2) MY29-11 (2)	Y644M (1 CRIMP)	10	BROWN	U2CRT (2 CRIMPS)		
YAV2CTC14FXB90			2			1.88 [48]	.97 [25]	.33 [8]													
YAV2CTC516FXB45		5/16 [M8]	1			1.55 [39]	.33 [8]	2.16 [55]	.34 [9]											.36 [9]	
YAV2CTC516FXB90			2			1.88 [48]	1.03 [26]														
YA34TC12FXB45	373.7 kcmil (925/24)	1/2 [M12]	1	2.48 [63]	1.55 [39]	3.18 [81]	.53 [13]	3.98 [101]	.53 [13]	3.17 [81]	.23 [6]	.54 [14]	1.24 [32]	1.06 [27]	2-9/16 [65]	---	Y644M (1 CRIMP)	19 OR 470	BLUE		U32RT (4 CRIMPS)
YA38TC12FXB45	535.3 kcmil (1325/24)	1/2 [M12]	1	3.08 [78]	1.84 [47]	3.78 [96]	.53 [13]	4.51 [115]	.53 [13]	3.89 [99]	.26 [7]	.54 [14]	1.47 [37]	1.25 [32]	3-3/16 [81]	---	Y644M PAT644M (1 CRIMP)	L99	PINK		U38XRT (4 CRIMPS)
YA38TC12FXB90			2			4.45 [113]	1.90 [48]														
YA38TC58FXB45		5/8 [M16]	1			3.78 [96]	.69 [18]	4.77 [121]	.66 [17]											.67 [17]	
YA38TC58FXB90			2			4.45 [113]	2.15 [55]														

REV	DATE	DESCRIPTION	ECO	BY	C'H'K.
D	09/08/2011 00:00:00 AM	REMOVE SKIVE. ITS A CLOSED BARREL LUG	36651	BSB	AD

TOLERANCES							
SIZES	B	C	H	K DIA.	L	N	P
8C - V25	±.06	±.03	±.12	±.02	±.12	±.03	±.04
V26 - 34	±.06	±.04	±.15	±.02	±.15	±.03	±.05
36 - 46	±.09	±.06	±.18	±.02	±.18	±.06	±.06



- NOTES:
- MATERIAL: COPPER.
  - FINISH: TIN PLATED.
  - CATALOG NUMBER 'PUADP-1' ADAPTOR IS REQUIRED TO USE 'U' TYPE DIES IN THE Y46 SERIES TOOLS.
  - REFERENCE THE BURNDY® MASTER CATALOG "INSTALLATION TOOL INDEX" FOR ADDITIONAL TOOLING.
  - BELLED BARREL ENDS PROVIDE EASY CABLE INSERTION AND STRAIN RELIEF.
  - DIMENSION IN BRACKETS [ ] ARE IN MILLIMETERS ROUNDED OFF TO THE NEAREST MILLIMETERS, UNLESS OTHERWISE NOTED, AND ARE FOR REFERENCE ONLY.
  - CONNECTOR IS UL LISTED.
  - CONNECTOR IS CSA CERTIFIED.

TO ORDER BURNDY® PRODUCTS CALL		BELLED HYLUG™	
UNITED STATES 1-800-346-4175 (LONDONDERRY, NH)		ITEM NO: N/A	CAT. NO: YA-TC-FXB-45, -90 (TABLE)
CANADA: 1-800-361-6975 (QUEBEC) 1-800-387-6487 (ALL OTHER PROVINCES)		DRAWN BY: D. BOISVERT 02/13/03	CHECKER: J.L.M. 02/19/03
FOR PRODUCT INFO: <a href="http://www.burndy.com">http://www.burndy.com</a>		DSN APPVL: J.MICHAUD 01/16/03	MFG APPVL: --
		QA APPVL: J.BRODEUR 02/06/03	MKT APPVL: R.ROBICHEAU 01/21/03
		PROJ #: --	SCALE: 1:1
		DOCUMENT TYPE: Sales	SIZE: D
		REL LEVEL: Released	DRAWING NO: SE212946-01
			REV: D
			SHEET 1 OF 1

REV: PE0200