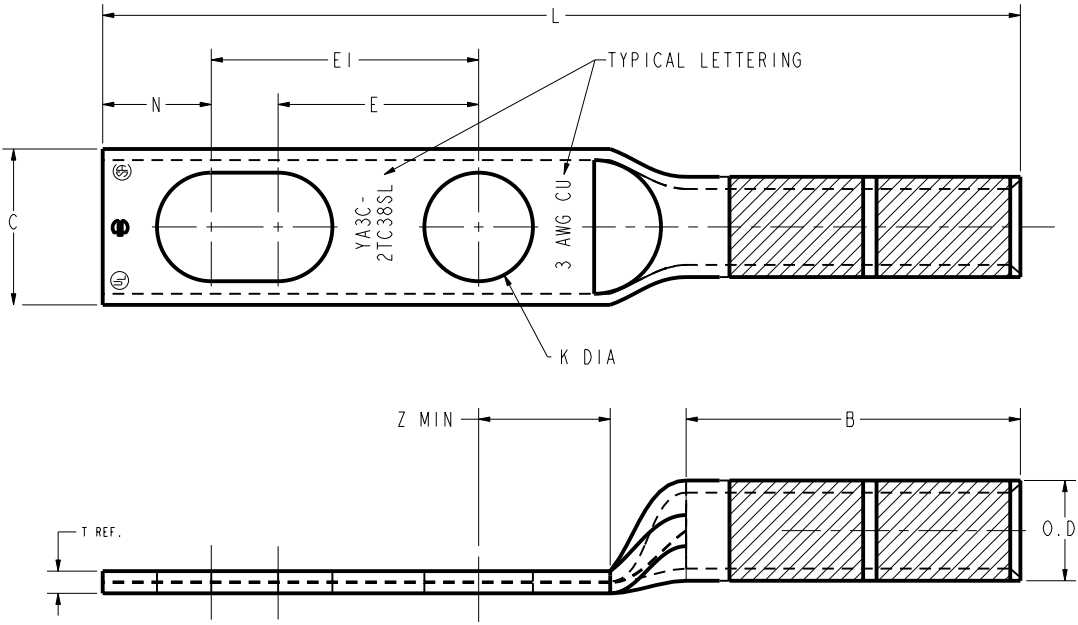


CATALOG NUMBER	CONDUCTOR		BOLT SIZE	DIMENSIONS									DIE INTEX	COLOR CODE	INSTALLATION TOOLING (# CRIMPS)				DIELESS (# CRIMPS)	WIRE STRIP LENGTH	
	CODE AWG	NAVY		B	C	EI	E	K DIA	L	N	O.D.	T REF.			Z MIN.	MECHANICAL		HYDRAULIC			
																MD7-34R MD6,OUR840	BCT500HS Y500CTHS	Y750, Y35 Y39, Y46 PAT750			Y45
YA6C2TC38SL	#6 STR #6 SOL	30		1.12 [28]	.58 [15]	1.00 [25]	.75 [19]		3.22 [82]	.41 [10]	.29 [7]	.06 [2]	.42 [11]	7	BLUE	W5CVT W5CRT X5CRT X8CART (2)	W5CVT W5CRT X5CRT X8CART (2)	U8CABT W5CRT (2)	U8CABT W5CRT (2)	MECHANICAL, YIMRTC (2) MY29-11 (2) MY29-3 (2) MRC840 (2) Y122CMR (2) HYDRAULIC, Y81KFT Y81KFTMBH PAT81KFT-18V (1)	1-3/16"
YA3C2TC38SL	#3	50	3/8"	1.12 [28]	.58 [15]	1.00 [25]	.75 [19]	.40 [10]	3.43 [87]	.41 [10]	.42 [11]	.08 [2]	.42 [11]	9	WHITE	W3CRT (2)	W3CRT (2)	U3CRT (2)	U3CRT (2)	MECHANICAL, YIMRTC (4) MY29-11 (2) MY29-3 (2) MRC840 (2) Y122CMR (2) HYDRAULIC, Y644HS Y81KFT Y81KFTMBH PAT81KFT-18V (1)	1-5/16"
YA2C2TC38SL	#2	60		1.25 [32]	.60 [15]	1.00 [25]	.75 [19]		3.42 [87]	.41 [10]	.42 [11]	.11 [3]	.42 [11]	10	BROWN	W2CVT W2CRT X2CRT (2)	W2CVT W2CRT X2CRT (2)	U2CRT (2)	U2CRT (2)	MECHANICAL, YIMRTC (4) MY29-11 (2) MY29-3 (2) MRC840 (2) Y122CMR (2) HYDRAULIC, Y644HS(1) Y81KFT Y81KFTMBH PAT81KFT-18V (2)	

CONNECTOR SIZE	TOLERANCES						
	B	C	E	K DIA.	L	N	O.D.
-6C	±.03	+04 -02	±.02	±.02	±.06	±.04	±.01
-8C THRU -25	±.06	±.04	±.02	±.02	±.09	±.04	±.01
-26 THRU -34	±.08	±.04	±.02	±.02	±.12	±.04	±.01
-35 AND UP	±.09	±.06	±.02	±.02	±.15	±.06	±.01



- NOTES:
- MATERIAL : COPPER TUBING.
 - FINISH: TIN PLATED.
 - CATALOG # PT6515 ADAPTOR IS REQUIRED TO USE "U" DIES IN Y45 SERIES TOOLS.
 - CATALOG # PUADP-1 ADAPTOR IS REQUIRED TO USE "U" DIES IN Y46 SERIES TOOLS.
 - NAVY CABLE SIZE MAY BE OMITTED ON SOME SIZES BECAUSE OF SPACE LIMITATIONS.
 - DIMENSIONS IN BRACKETS [] ARE IN MILLIMETERS ROUNDED OFF TO THE NEAREST MILLIMETER, UNLESS OTHERWISE NOTED, AND ARE FOR REFERENCE ONLY.
 - UL LISTED TO UL486A-486B.
 - CSA CERTIFIED TO CSA 22.2 NO. 65-03.

TO ORDER BURNDY® PRODUCTS CALL
 UNITED STATES
 1-800-346-4175 (LONDONDERRY, NH)
 CANADA:
 1-800-361-6975 (QUEBEC)
 1-800-387-6487 (ALL OTHER PROVINCES)
 FOR PRODUCT INFO: <http://www.burndy.com>

HYLUG™ SLOTTED
 ITEM NO: 25020079, 25020080, 10063817
 CAT. NO: YA-2TC38SL (TABLE)
 DRAWN BY: P LAPONTUS 3/02/01
 CHECKER: J LETOURNEAU 3/02/01
 DSN APPVL: J MICHAUD 2/21/01
 MFG APPVL: -- --
 QA APPVL: -- --
 MKT APPVL: R ROBICHEAU 2/26/01
 PROD FAM: CM&R COMPRESSION
 PROJECT #: -- SIZE: D
 DOCUMENT TYPE: Sales
 REL LEVEL: Released

BURNDY

SCALE: 3:1
 DRAWING NO: SE213036-01
 SHEET 1 OF 1

REV	DATE	DESCRIPTION	ECO	BY	C'H'K'
G	06/12/2015 00:00:00 AM	CHANGE #6 AWG TO STATE #6 STR/#6 SOL.	40581	DD	AD

REV: PE0200